

May.08

Mocha-1 Block Diagram

07226-1-Final

Project Code: 91.47Q01.001
PCB(Raw Card): 48.47Q01.001

PCB Layer Stackup

- L1:Component
- L2:GND
- L3:Signal 1
- L4:VCC
- L5:Signal 2
- L6:Signal 3
- L7:GND
- L8:Component

Battery Charger/Selector

ADP3808 44	
INPUTS	OUTPUTS
DOCK_PWR20_F	M-BAT-PWR
	S-BAT-PWR

System DC/DC

TP551221 49	
VINT20	VCC5M
	VCC3M

CPU DC/DC

VT1311 50	
VINT20	VCCPUCORE
	VCC3M

GMCH GFX CORE

VT451&VT450 51	
VINT20	VCCGFXCORE

VCCIR05AMT/VCCIR5A

VT351A 52,53	
VCC5V_OUT	VCCIR05AMT
	VCCIR5A

VCC0R75AMT

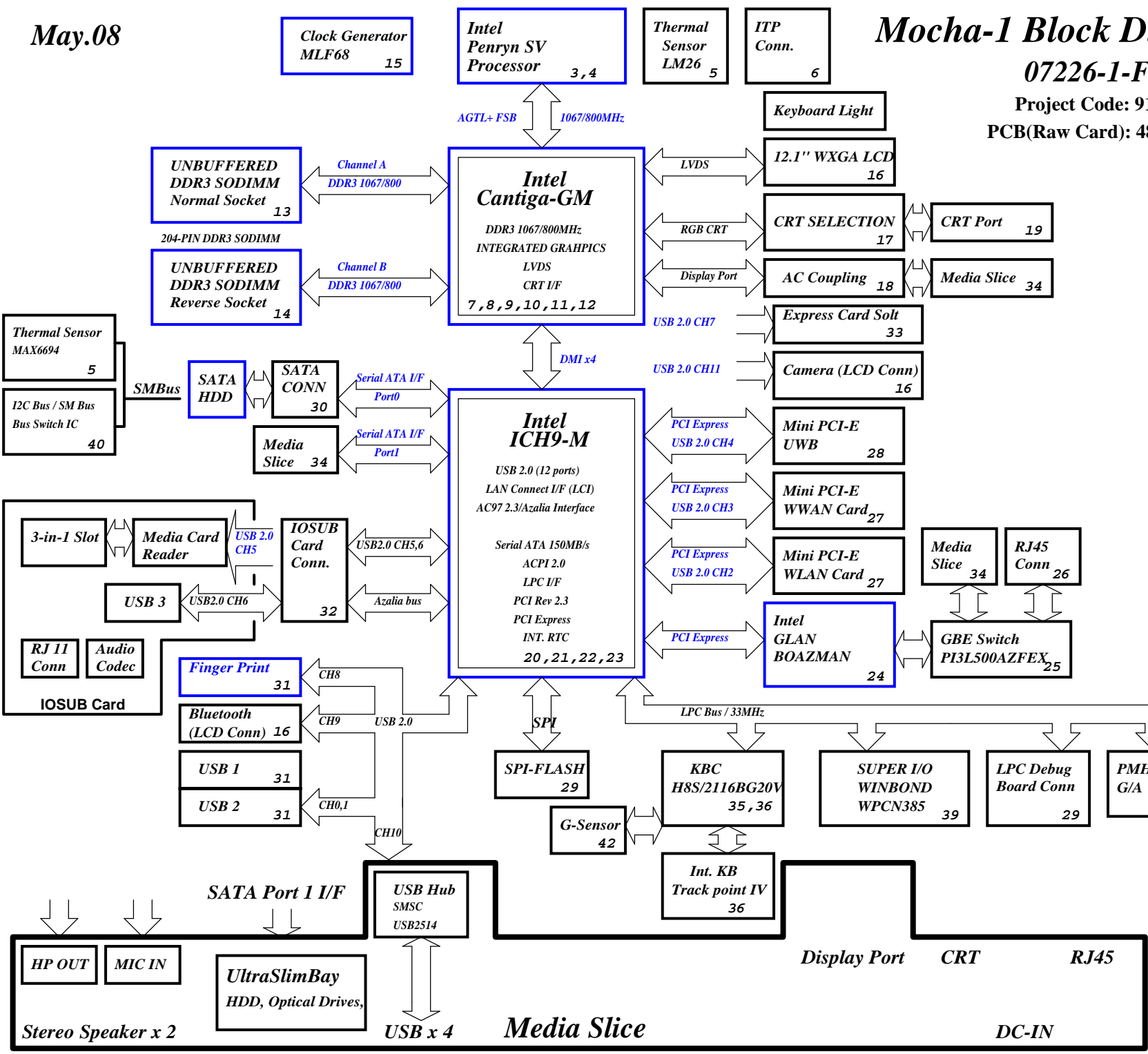
MAX1510 54	
VCCIR5A	VCC0R75AMT

VCCIR8B

BD3550 55	
VCC3M	VCCIR8B

VCCIR05AUX/IR8AUX

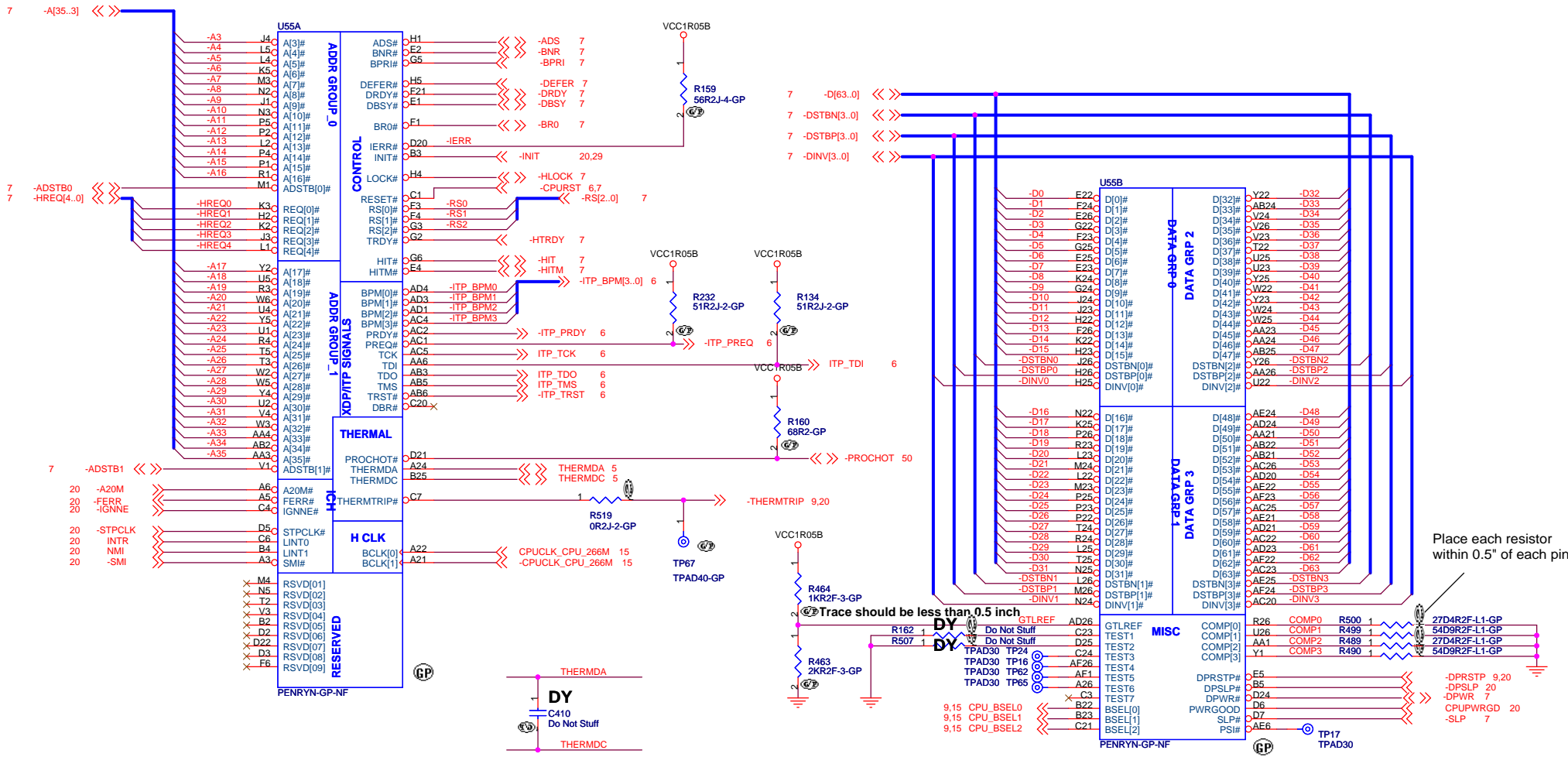
BD3550 56	
VCC3M	VCCIR05AUX
	VCCIR8AUX



BOM

緯創資通 Wistron Corporation
21F, 88, Sec.1, Hsin Tai Wu Rd., Hsichih, Taipei Hsien 221, Taiwan, R.O.C.

Block Diagram		
Size A3	Document Number	Rev -1
Mocha-1		
Date: Thursday, May 08, 2008	Sheet 1	of 62

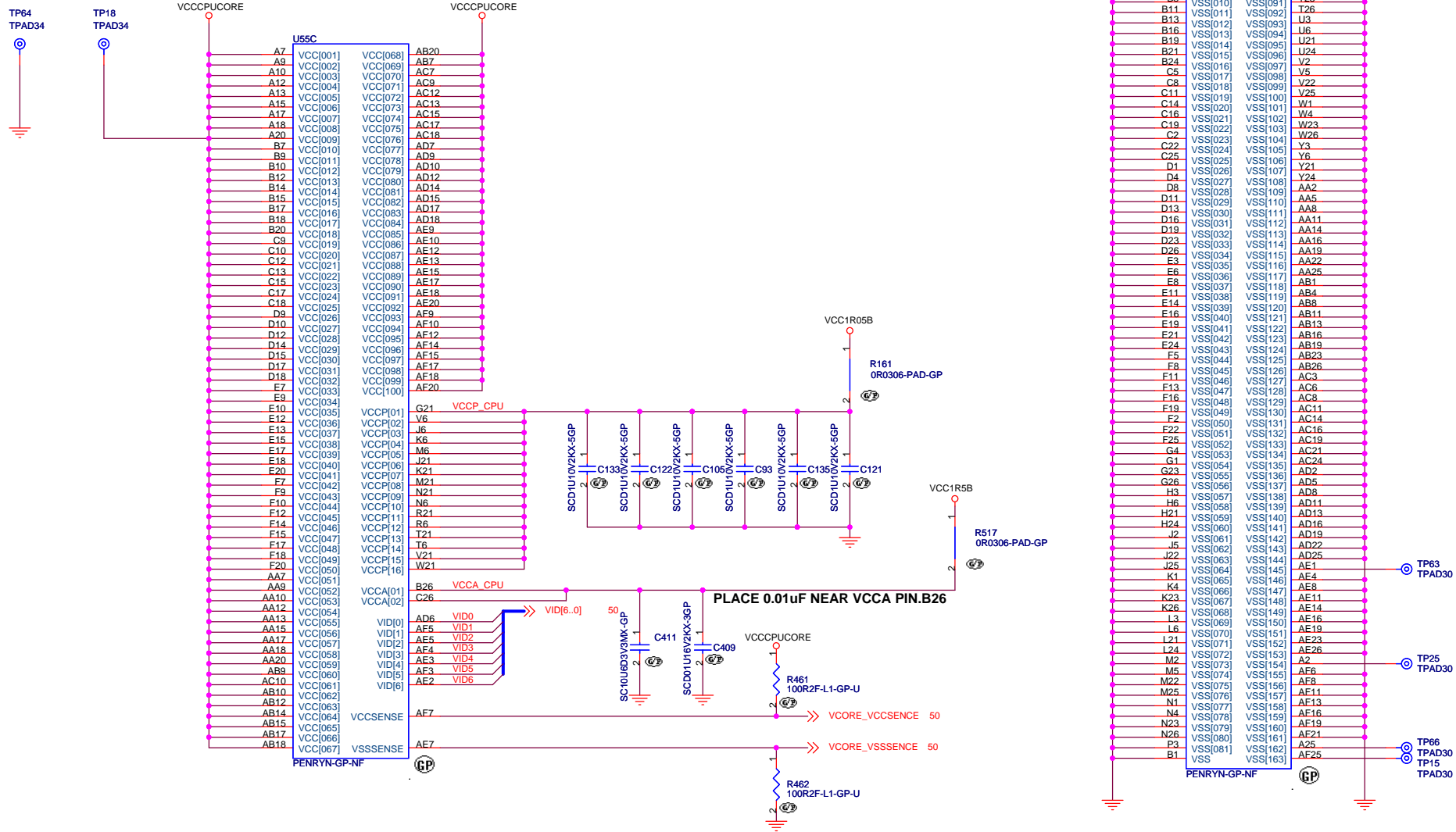


Place each resistor within 0.5" of each pin

Trace should be less than 0.5 inch

BOM

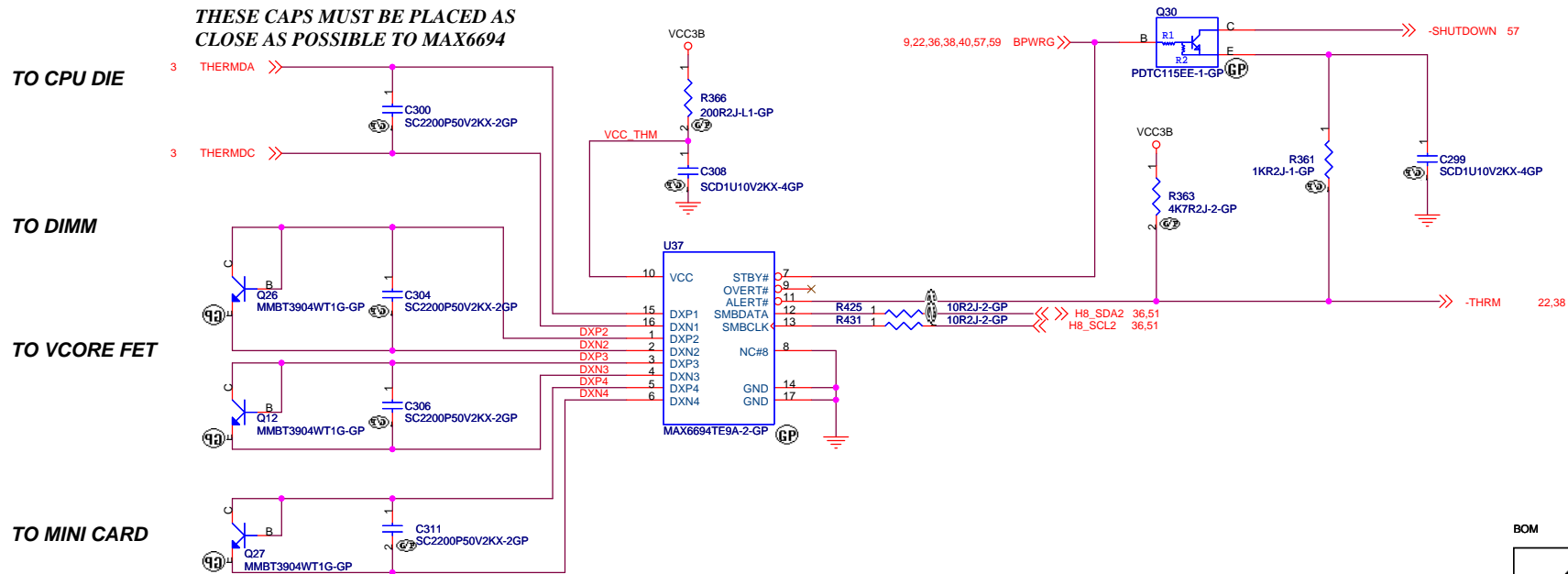
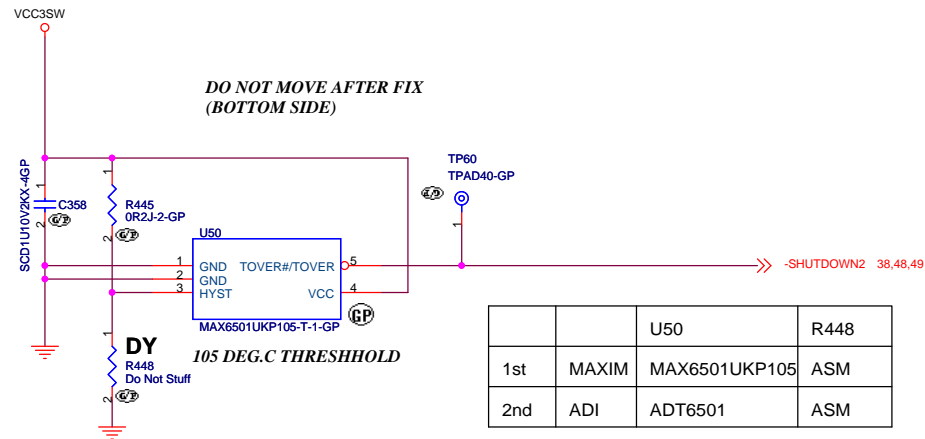
<p>緯創資通 Wistron Corporation 21F, 88, Sec. 1, Hsin Tai Wu Rd., Hsichih, Taipei Hsien 221, Taiwan, R.O.C.</p>	
<p>Title: Penryn CPU(1/2)</p>	
Size: A3	Document Number: MoCha-1
Date: Thursday, May 08, 2008	Sheet: 3 of 62



BOM

Wistron Corporation 21F, 88, Sec. 1, Hsin Tai Wu Rd., Hsichih, Taipei Hsien 221, Taiwan, R.O.C.		
Penryn CPU(2/2)		
Size A3	Document Number	Rev -1
MoCha-1		
Date: Thursday, May 08, 2008	Sheet 4	of 62

Thermal Sensor for CPU



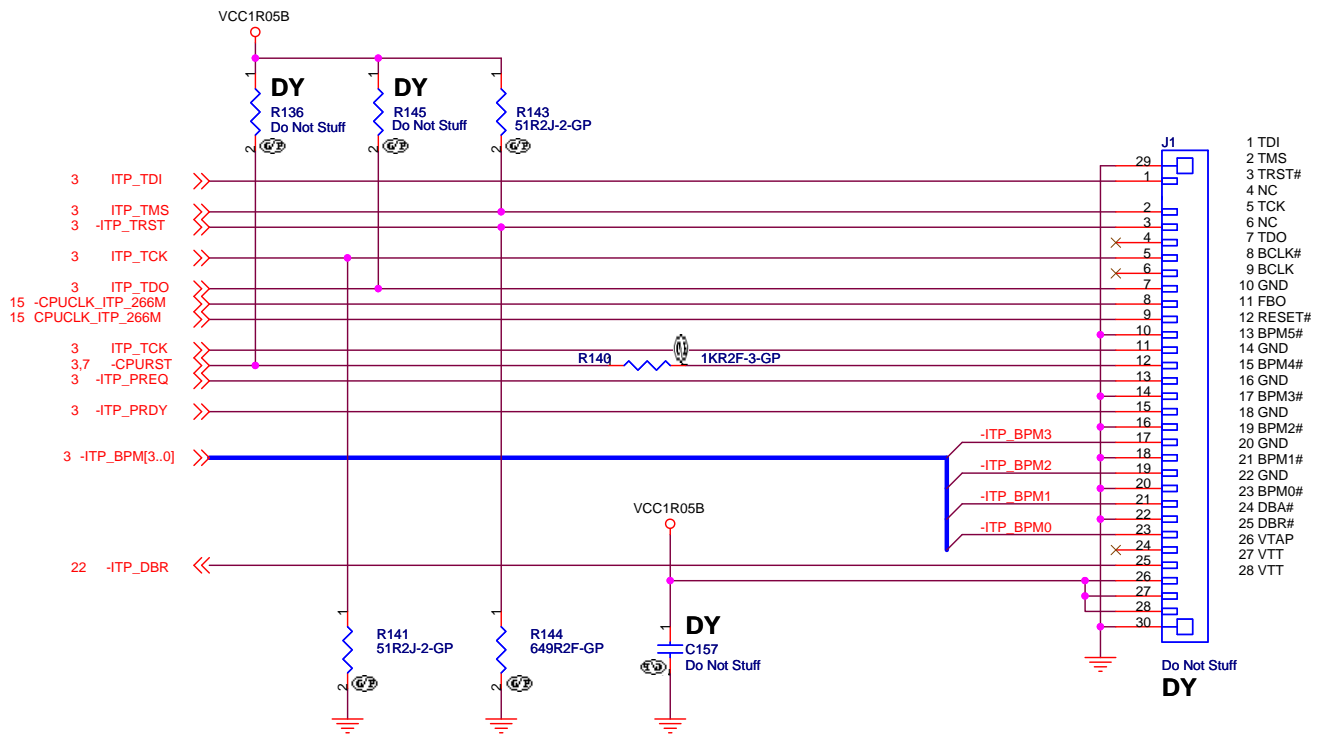
PLACE UNDER PC-CARD SLOT
H8 I2C Bus 2 ADDRESS : 9AH
TEST PAD FOR BOARD MFG TEST

Layout Comment :

- (1) Thermal sensor trace lines should not be overlapped with other high frequency trace lines in other layers.
- (2) Also, it should not be overlapped with large amplitude trace lines either.

BOM

緯創資通		Wistron Corporation	
		21F, 88, Sec.1, Hsin Tai Wu Rd., Hsichih, Taipei Hsien 221, Taiwan, R.O.C.	
THERMAL SENSOR			
Size	Document Number	Mocha-1	
A3		Rev	-1
Date:	Thursday, May 08, 2008	Sheet	5 of 62



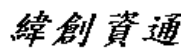
- 1 TDI
- 2 TMS
- 3 TRST#
- 4 NC
- 5 TCK
- 6 NC
- 7 TDO
- 8 BCLK#
- 9 BCLK
- 10 GND
- 11 FBO
- 12 RESET#
- 13 BPM5#
- 14 GND
- 15 BPM4#
- 16 GND
- 17 BPM3#
- 18 GND
- 19 BPM2#
- 20 GND
- 21 BPM1#
- 22 GND
- 23 BPM0#
- 24 DBA#
- 25 DBR#
- 26 VTAP
- 27 VTT
- 28 VTT

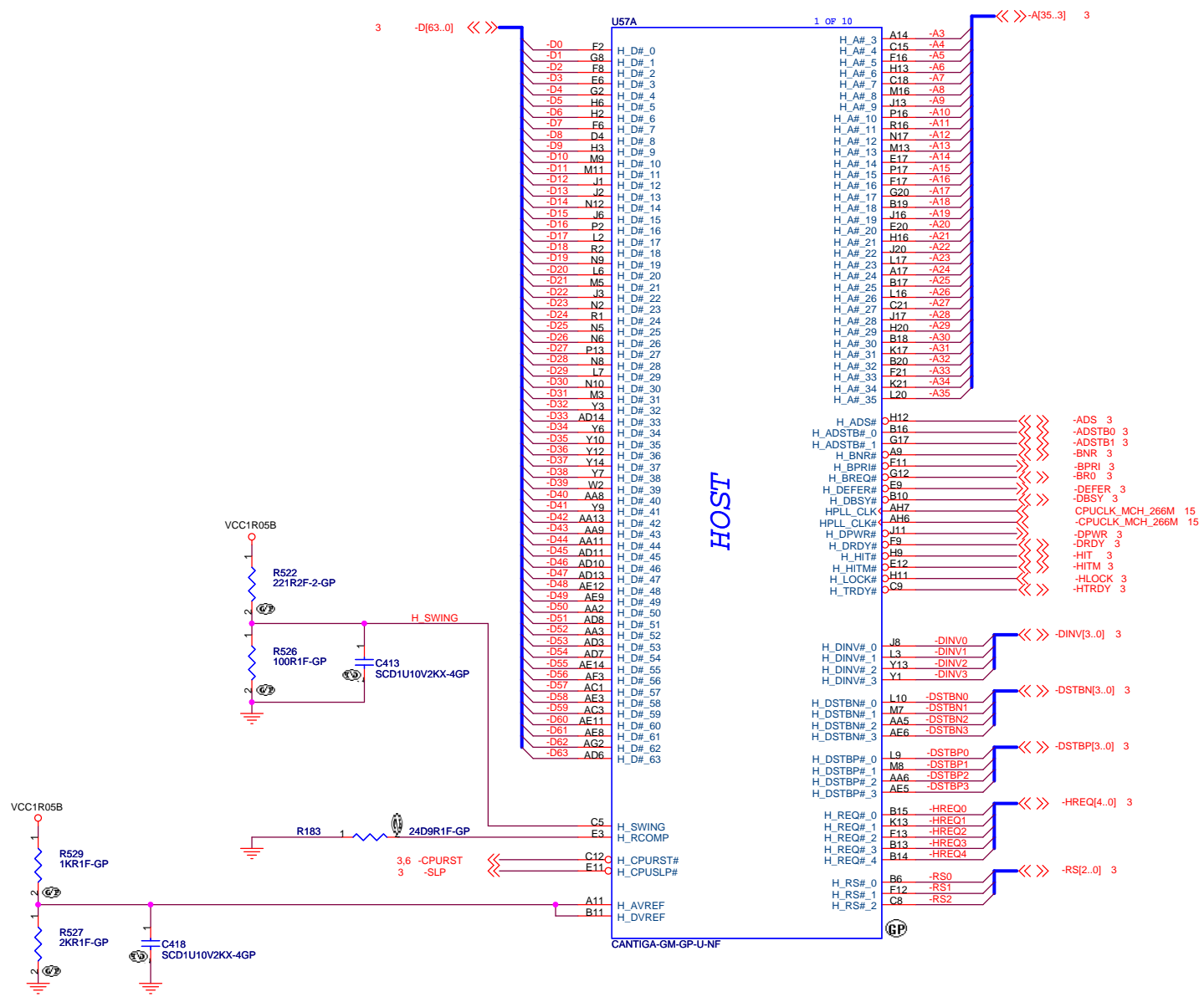
(*1) TCK SIGNAL IS BRANCHED AT CPU'S PIN

(*2) CPURST# SIGNAL IS BRANCHED AT GMCH'S PIN

Ref Des	For ITP-XDP
J1	NO_ASM-->ASM
C157	NO_ASM-->ASM
R140	NO_ASM-->1K 5% ASM
R144	ASM (No Change)
R136	ASM-->NO_ASM
R145	ASM (No Change)
R141	ASM-->51 5% ASM
R143	ASM-->51 5% ASM

BOM

 Wistron Corporation 21F, 88, Sec.1, Hsin Tai Wu Rd., Hsichih, Taipei Hsien 221, Taiwan, R.O.C.	
ITP CONN	
Size	Document Number
Custom	Mocha-1
Date: Thursday, May 08, 2008	Rev -1
Sheet 6	of 62

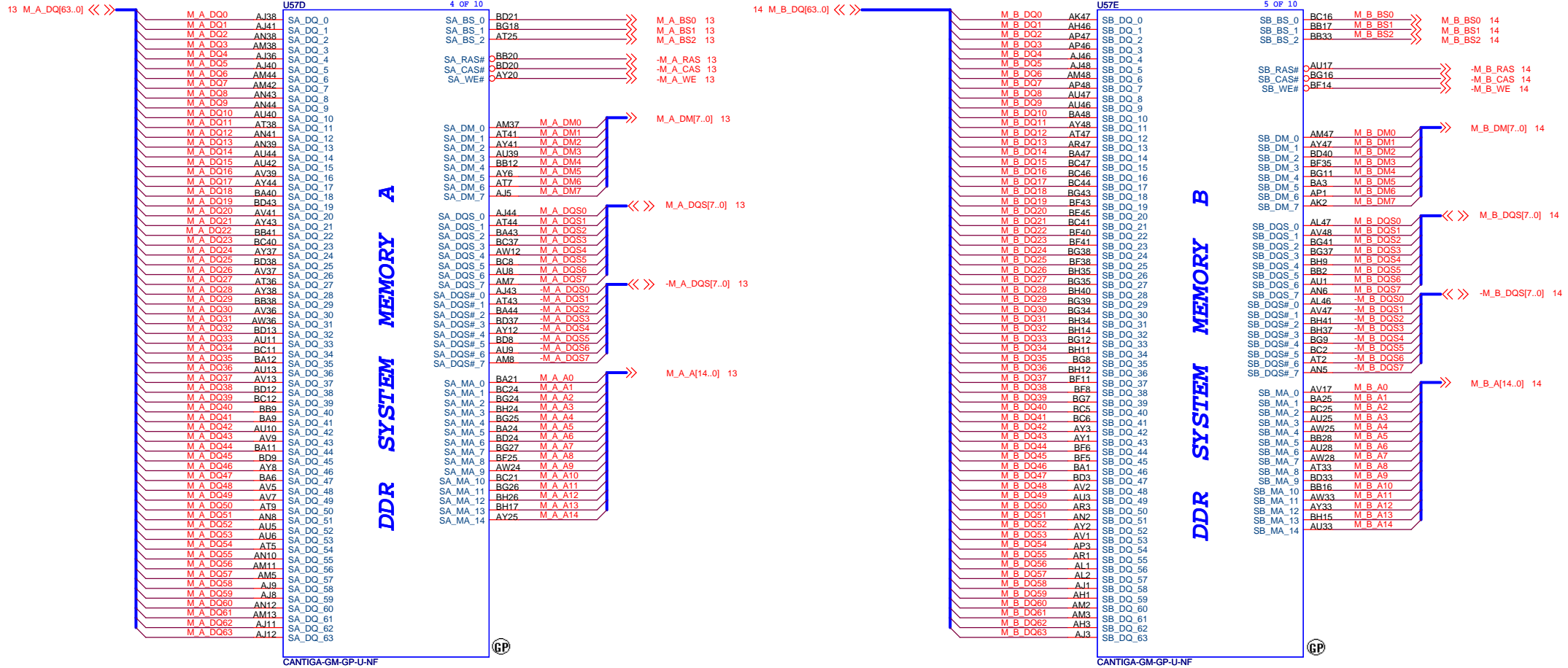


Route H_XSWING & H_YSWING
10 mil wide / 20 mil spacing

Route H_XRCOMP &
H_YRCOMP 10 mil wide /
20 mil spacing

BOM

Wistron Corporation 21F, 88, Sec.1, Hsin Tai Wu Rd., Hsichih, Taipei Hsien 221, Taiwan, R.O.C.	
Title Cantiga(1/6):HOST I/F	
Size A3	Document Number Mocha-1
Date: Thursday, May 08, 2008	Sheet 7 of 62
Rev -1	



BOM

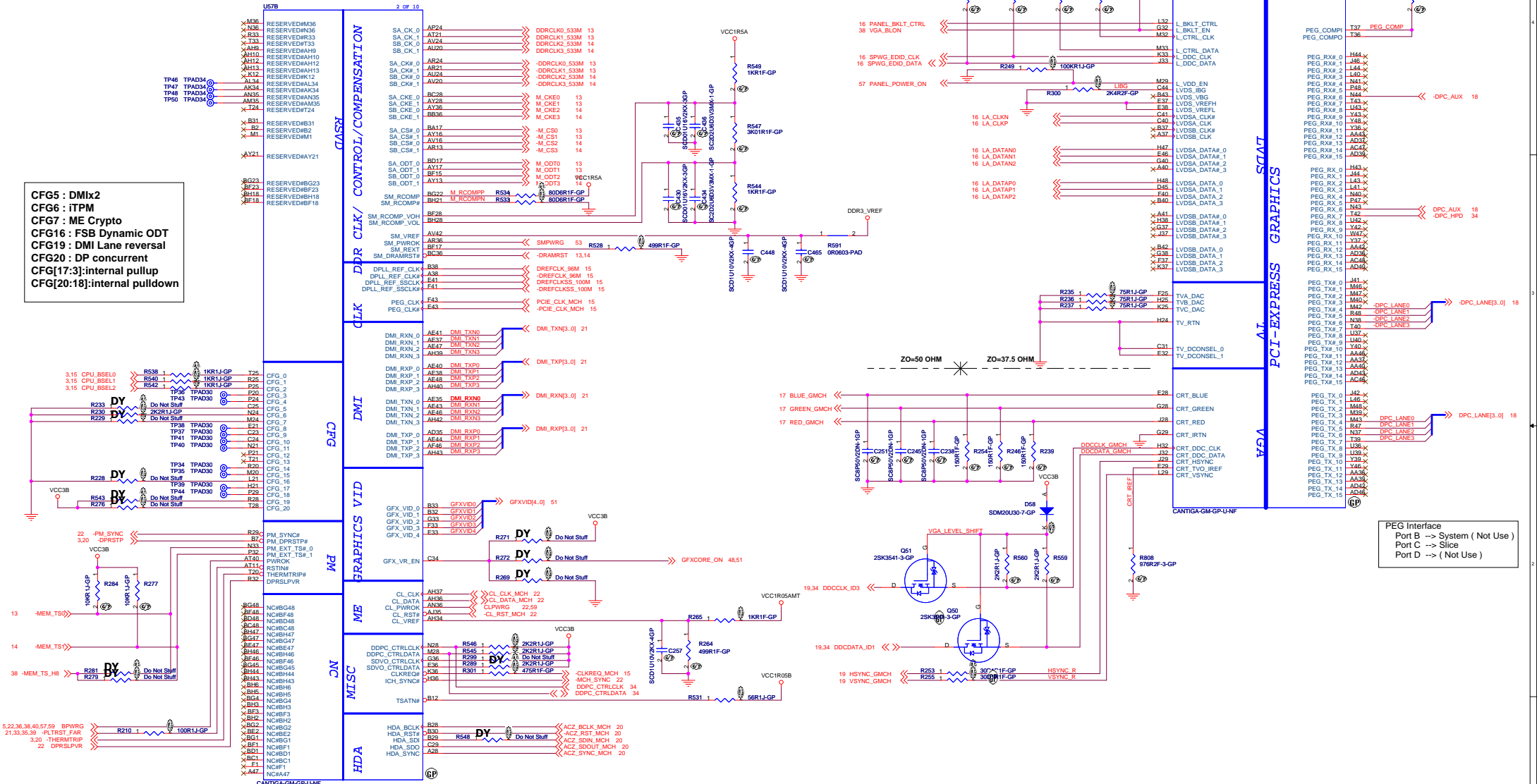
緯創資通 Wistron Corporation
 21F, 88, Sec.1, Hsin Tai Wu Rd., Hsichih,
 Taipei Hsien 221, Taiwan, R.O.C.

Title: **Cantiga(2/6):DDR3**

Size: A3 Document Number: **Mocha-1** Rev: -1

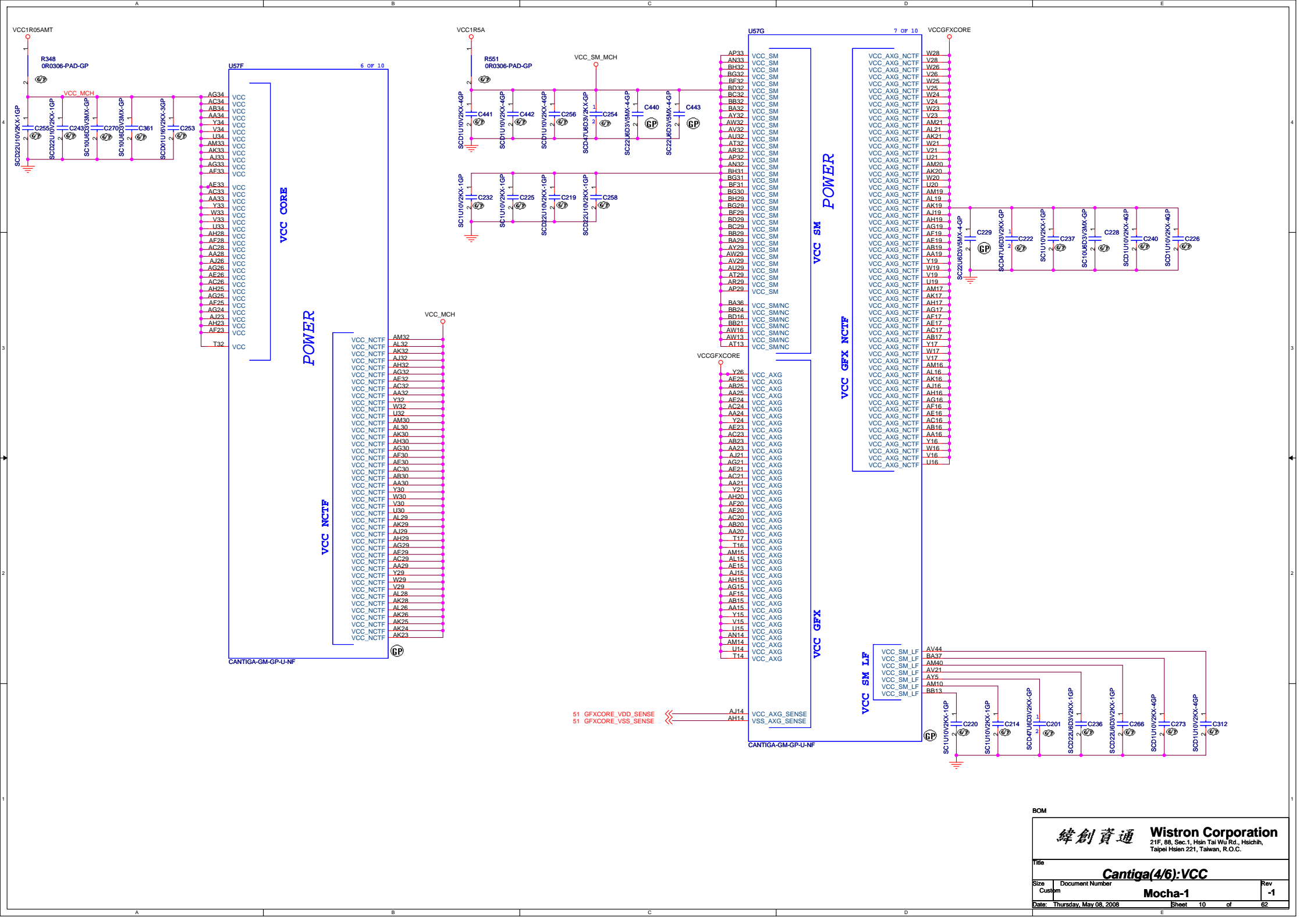
Date: Thursday, May 08, 2008 Sheet: 8 of 62

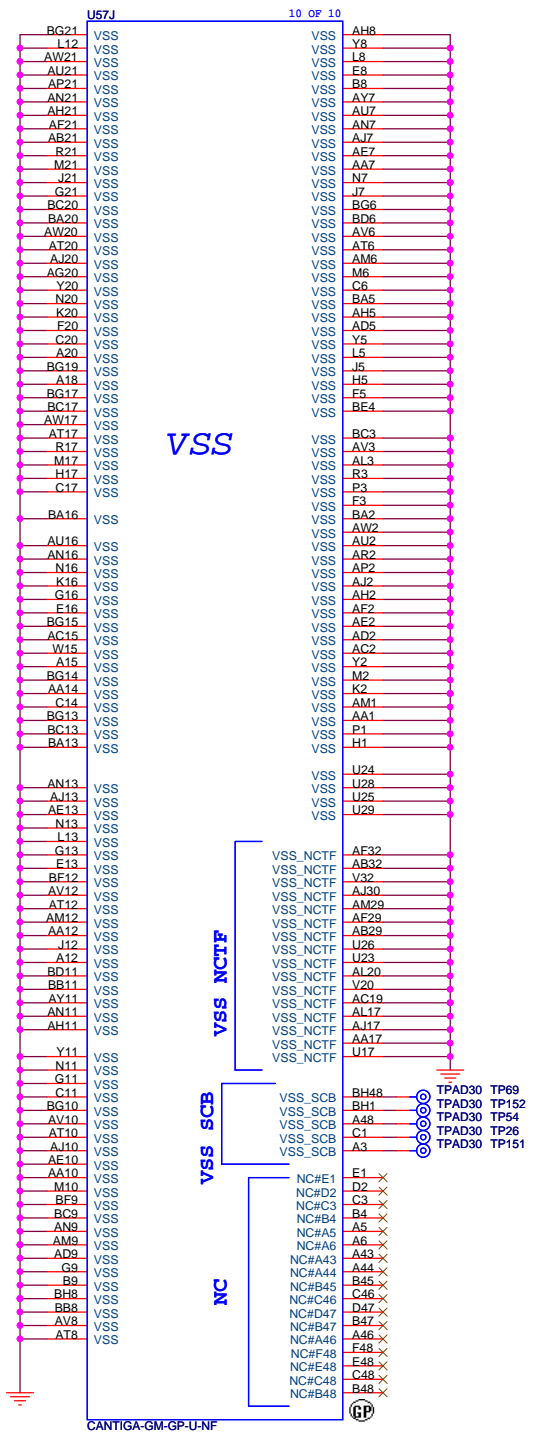
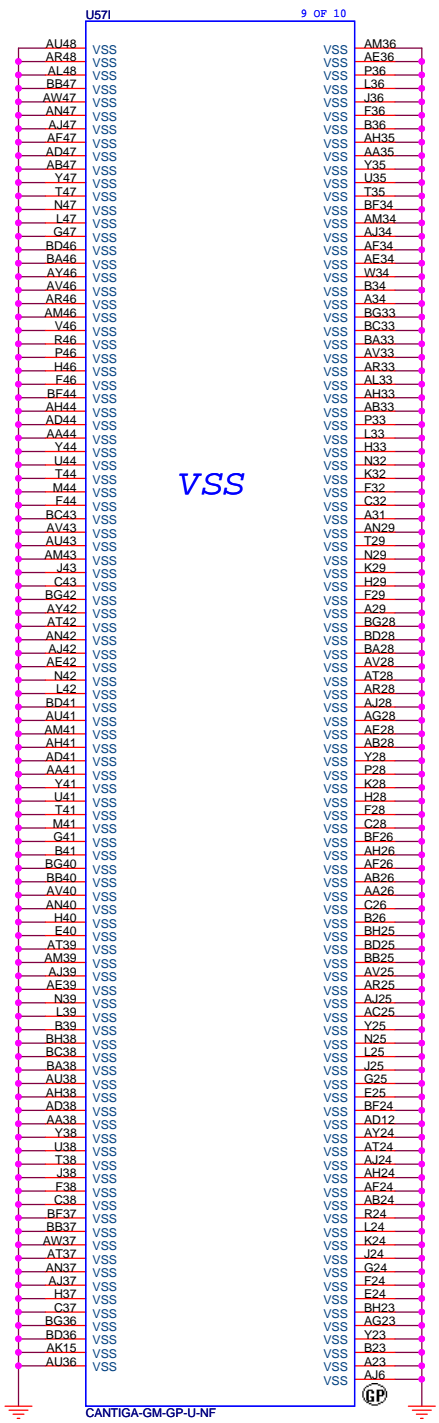
ME DEBUG PORT PIN OUT TABLE	
RESERVED#A134	ME_JTAG_TCK
RESERVED#A134	ME_JTAG_TDI
RESERVED#A135	ME_JTAG_TDO
RESERVED#A135	ME_JTAG_TMS



CFG5 : DMix2
CFG6 : iTPM
CFG7 : ME Crypto
CFG16 : FSB Dynamic ODT
CFG19 : DM Lane reversal
CFG20 : DP concurrent
CFG[17:3]:internal pullup
CFG[20:18]:internal pulldown

PEG Interface
 Port B --> System (Not Use)
 Port C --> Slice
 Port D --> (Not Use)





BOM

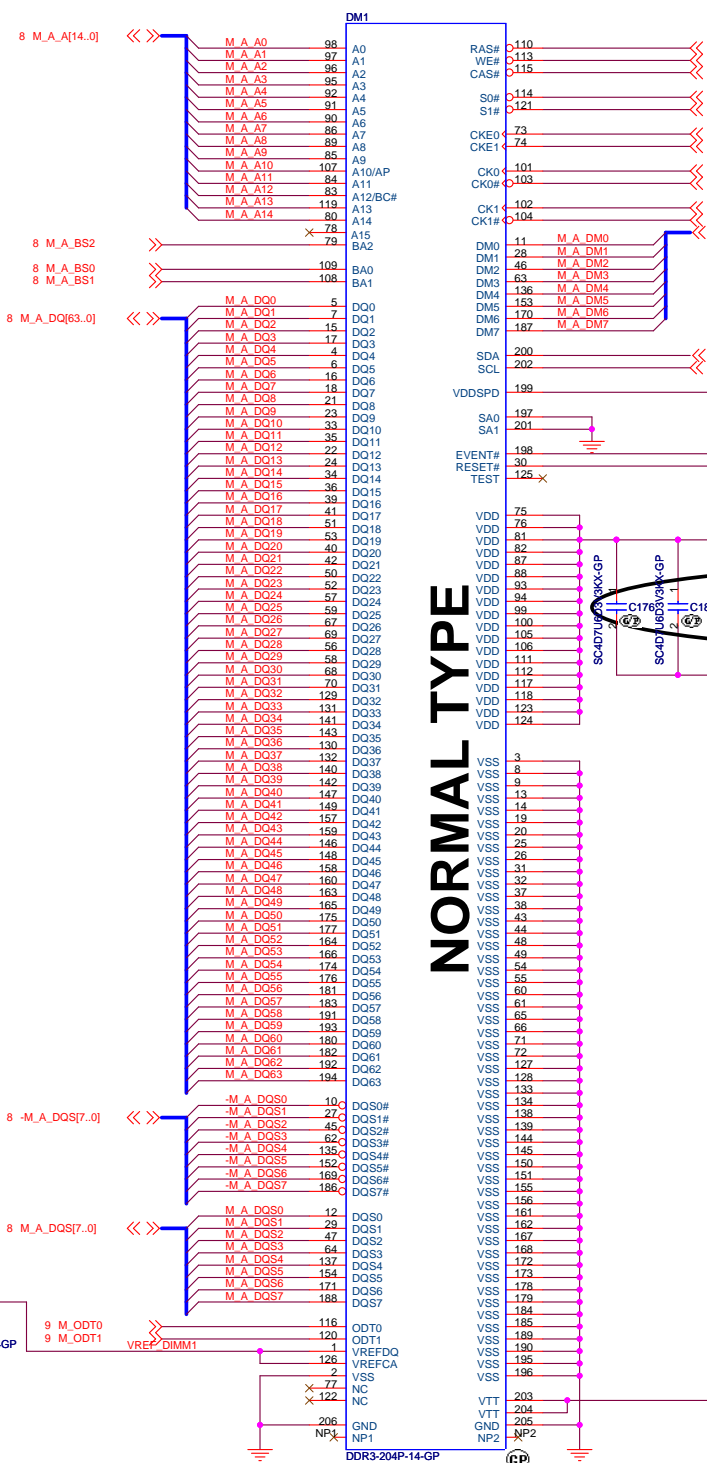
緯創資通 Wistron Corporation
 21F, 88, Sec.1, Hsin Tai Wu Rd., Hsichih,
 Taipei Hsien 221, Taiwan, R.O.C.

Title

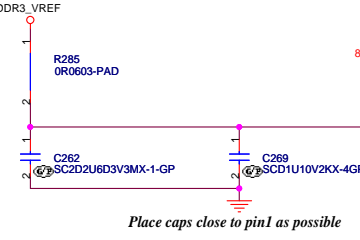
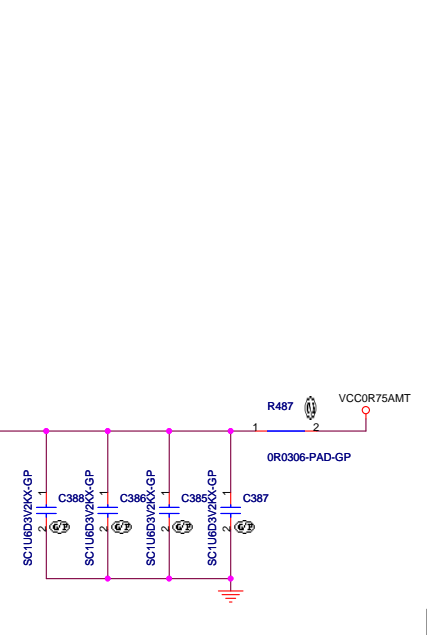
Cantiga(6/6):GND

Size A3 Document Number Mocha-1 Rev -1

Date: Thursday, May 08, 2008 Sheet 12 of 62

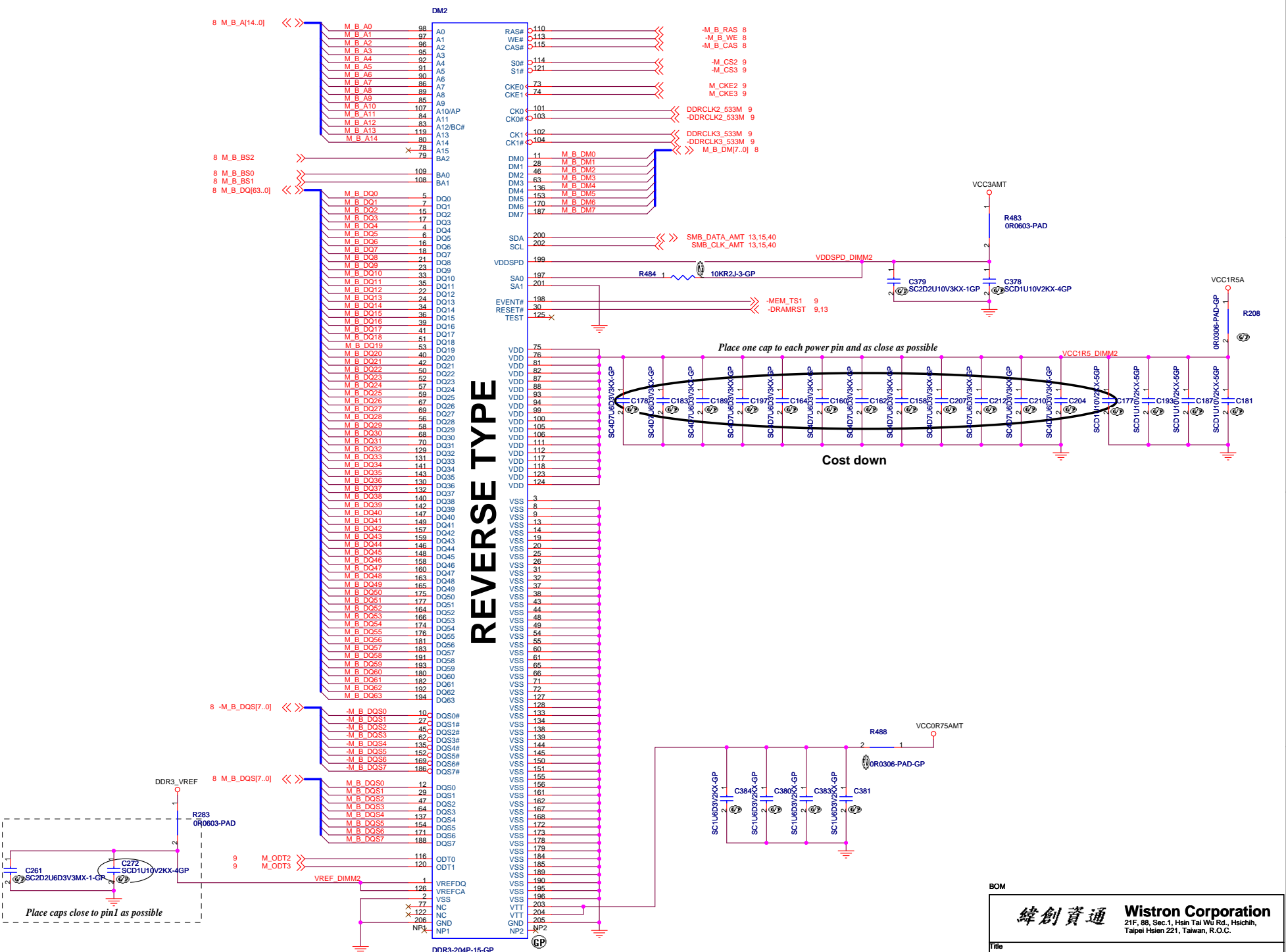


NORMAL TYPE



BOM

緯創資通		Wistron Corporation	
		21F, 88, Sec.1, Hsin Tai Wu Rd., Hsichih, Taipei Hsien 221, Taiwan, R.O.C.	
Title			
DDR3 SODIMM-A (NORMAL TYPE)			
Size	Document Number	Rev	
Custom	Mocha-1	-1	
Date: Thursday, May 08, 2008			
Sheet		13 of 62	

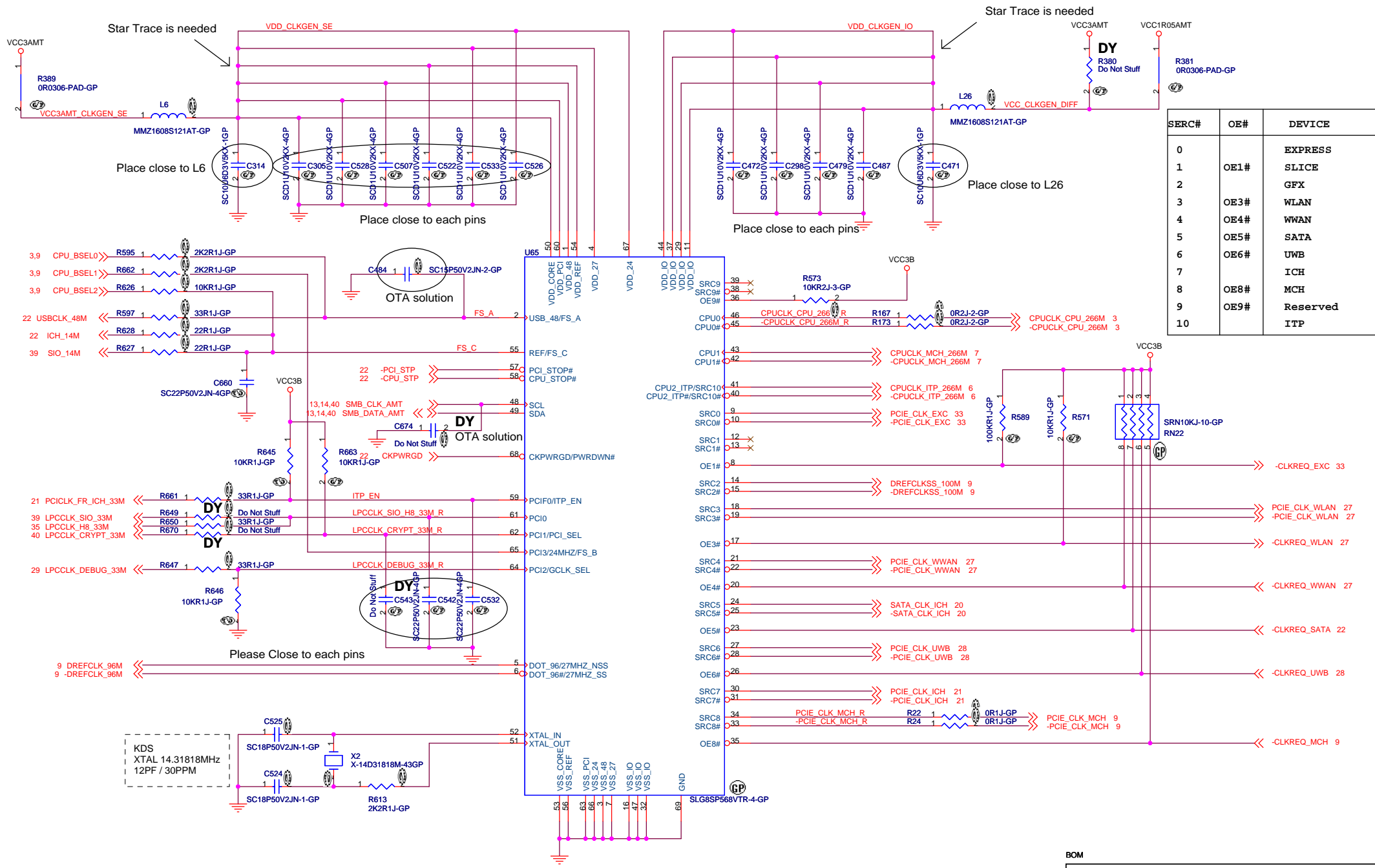


BOM

Size	Custom	Document Number	Mocha-1	Rev	-1
Date:	Thursday, May 08, 2008	Sheet	14	of	62

Wistron Corporation
 21F, 88, Sec.1, Hsin Tai Wu Rd., Hsichih,
 Taipei Hsien 221, Taiwan, R.O.C.

Title
DDR3 SODIMM-B (REVERSE TYPE)



SERC#	OE#	DEVICE
0		EXPRESS
1	OE1#	SLICE
2		GFX
3	OE3#	WLAN
4	OE4#	WWAN
5	OE5#	SATA
6	OE6#	UWB
7		ICH
8	OE8#	MCH
9	OE9#	Reserved
10		ITP

[Source Cadidate]		
SILEGO	SLG8SP568V-WA	41R0807BA

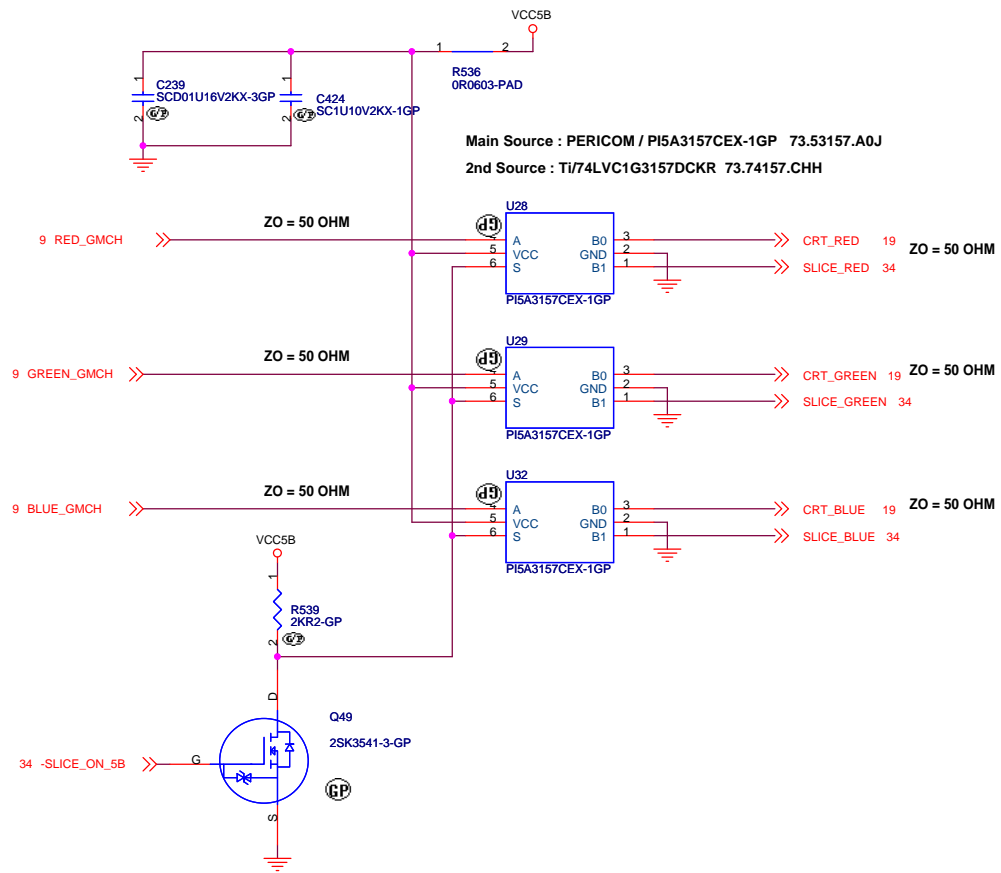
BOM

緯創資通 Wistron Corporation
21F, 88, Sec.1, Hsin Tai Wu Rd., Hsichih, Taipei Hsien 221, Taiwan, R.O.C.

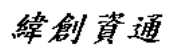
Title: **CLOCK GEN(CK505)**

Size A3 Document Number **MoCha-1** Rev -1

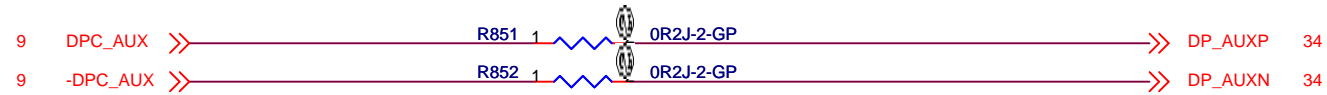
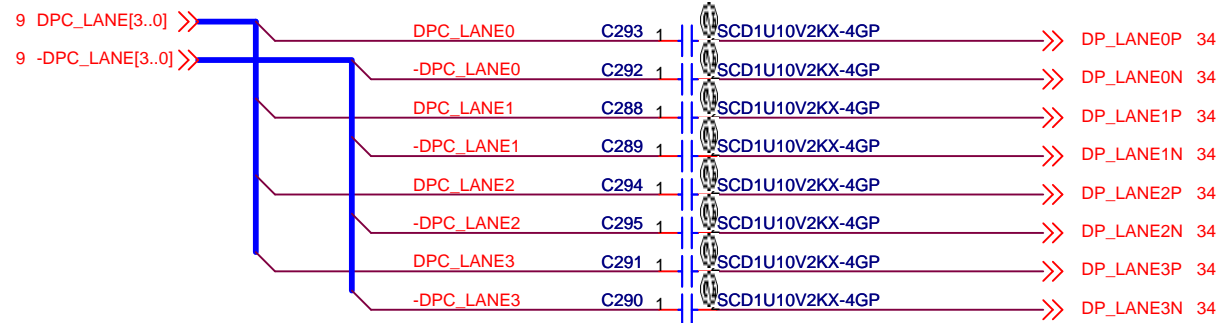
Date: Thursday, May 08, 2008 Sheet 15 of 62




BOM

 Wistron Corporation 21F, 88, Sec.1, Hsin Tai Wu Rd., Hsichih, Taipei Hsien 221, Taiwan, R.O.C.	
CRT SELECTOR	
Title Size A3	Document Number Mocha-1
Date: Thursday, May 08, 2008	Rev -1
Sheet 17 of 62	Date: Thursday, May 08, 2008

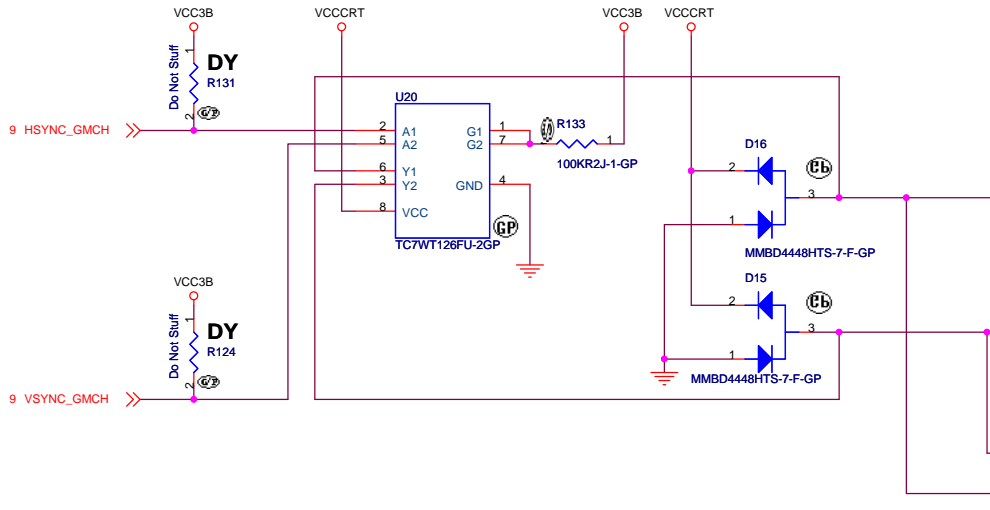
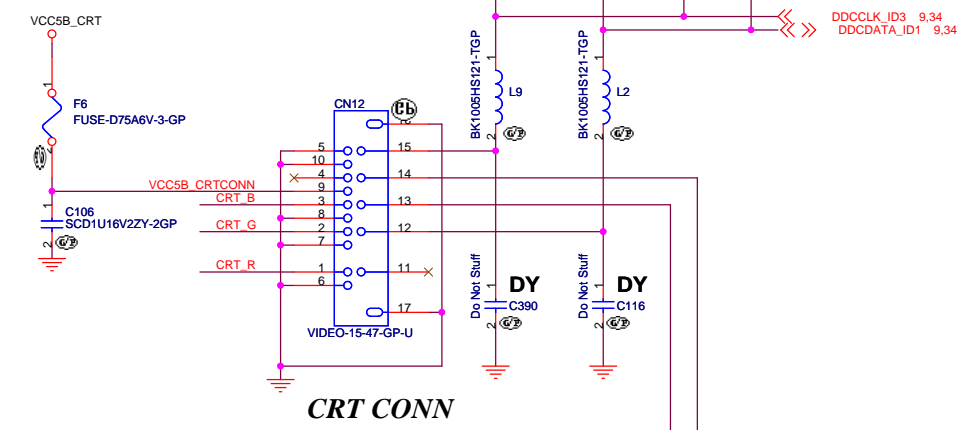
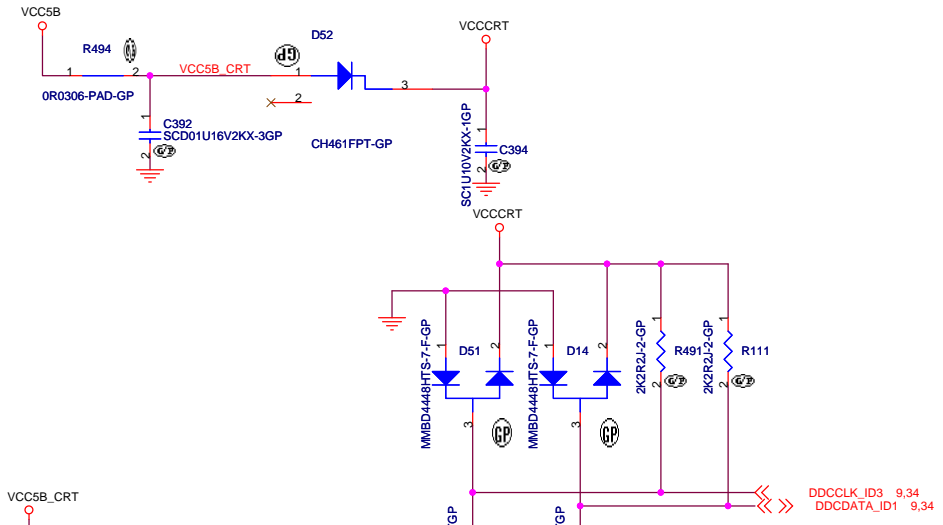
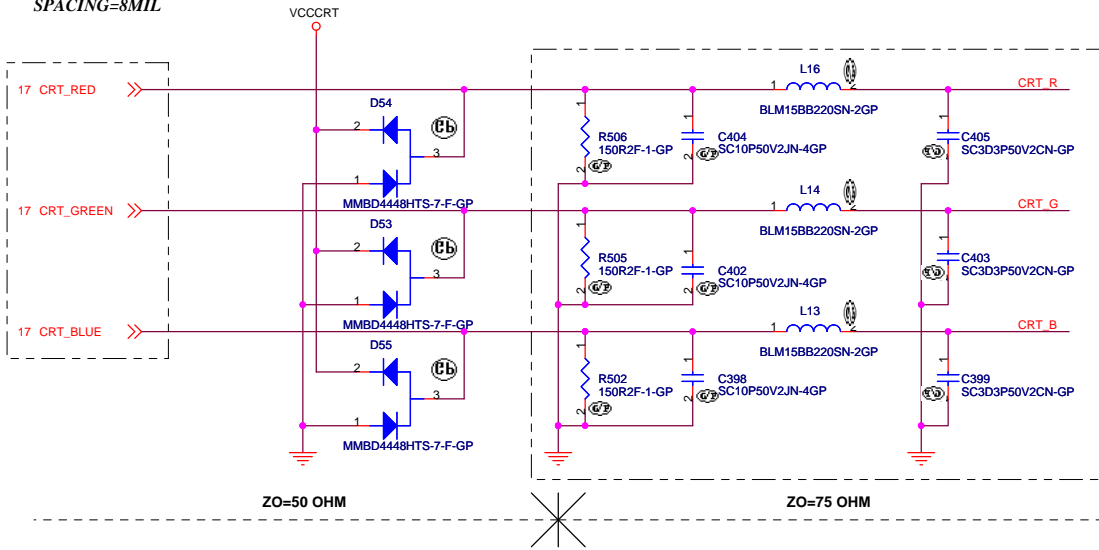
System DP: GMCH to SLICE Connector



BOM

 Wistron Corporation 21F, 88, Sec.1, Hsin Tai Wu Rd., Hsichih, Taipei Hsien 221, Taiwan, R.O.C.	
Title Display Port AC Coupling	
Size A4	Document Number Mocha-1
Date: Thursday, May 08, 2008	Rev -1
Date: Thursday, May 08, 2008 Sheet 18 of 62	

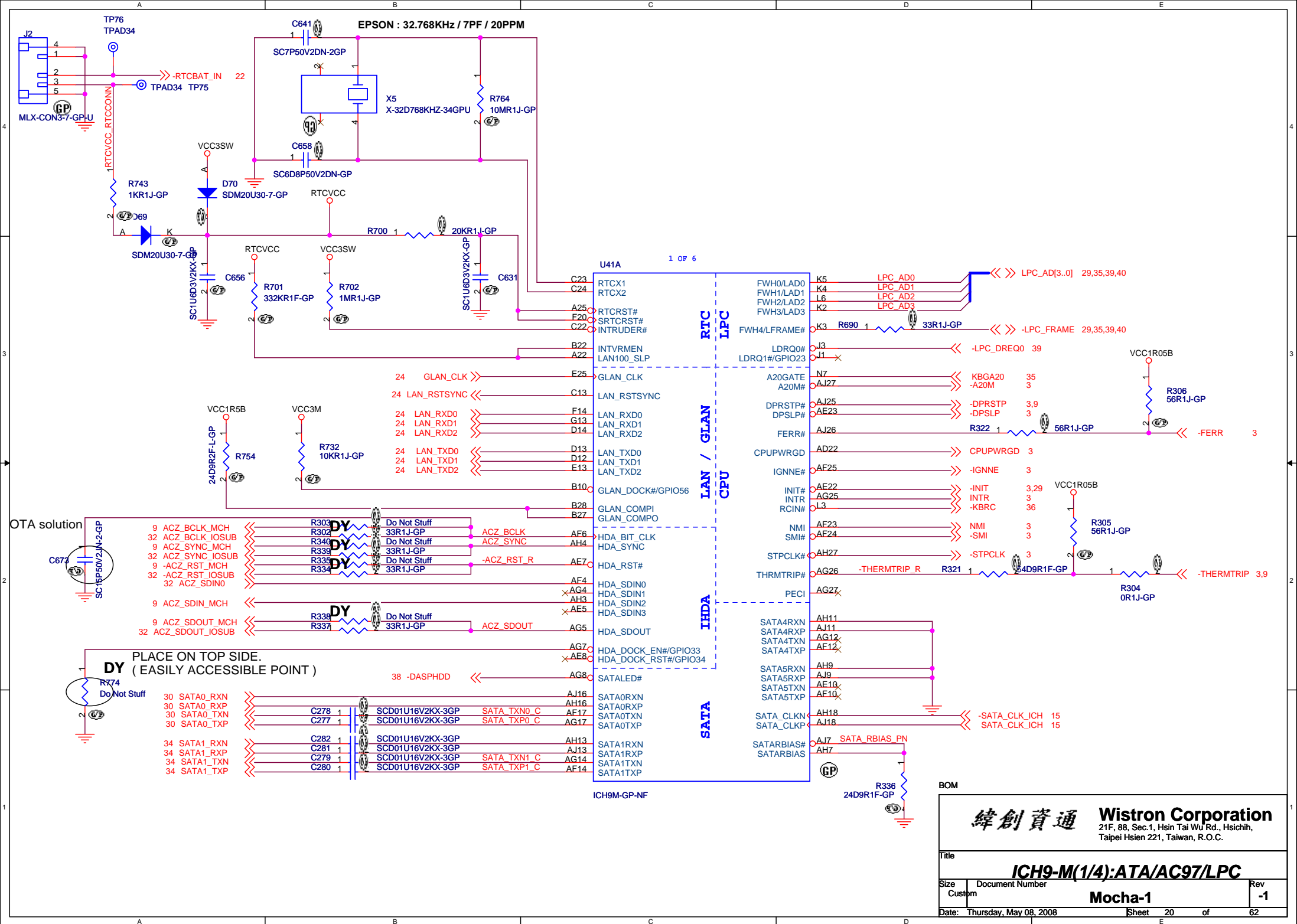
GND GUARDING
 EACH SIGNAL WIDTH DEPENDS ON ZO(TRACE IMPEDANCE)
 SPACING=8MIL



SLICE_VSYNC 34
 SLICE_HSYNC 34

BOM

Wistron Corporation 21F, 88, Sec.1, Hsin Tai WJ Rd., Hsichih, Taipei Hsien 221, Taiwan, R.O.C.	
Title: EXT CRT INTERFACE	
Size: A3	Document Number: Mocha-1
Date: Thursday, May 08, 2008	Rev: -1
Sheet: 19	of: 62



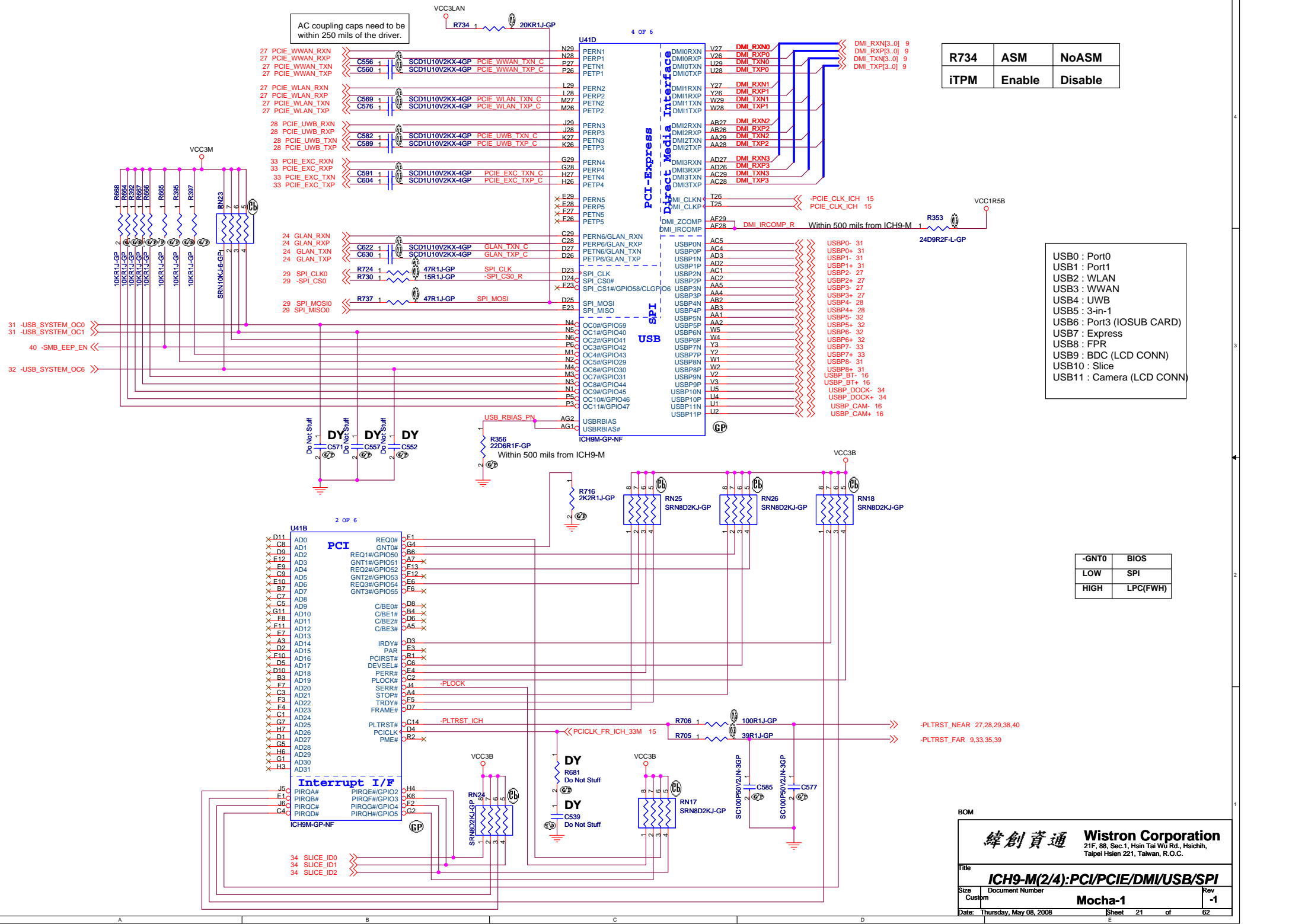
緯創資通		Wistron Corporation	
21F, 88, Sec.1, Hsin Tai Wu Rd., Hsichih, Taipeli Hsien 221, Taiwan, R.O.C.			
ICH9-M(1/4):ATA/AC97/LPC			
Size	Document Number	Rev	
Custom		Mocha-1	
Date: Thursday, May 08, 2008	Sheet 20	of 62	

AC coupling caps need to be within 250 mils of the driver.

R734	ASM	NoASM
ITPM	Enable	Disable

- USB0 : Port0
- USB1 : Port1
- USB2 : WLAN
- USB3 : WWAN
- USB4 : UWB
- USB5 : 3-in-1
- USB6 : Port3 (IOSUB CARD)
- USB7 : Express
- USB8 : FPR
- USB9 : BDC (LCD CONN)
- USB10 : Slice
- USB11 : Camera (LCD CONN)

-GNT0	BIOS
LOW	SPI
HIGH	LPC(FWH)



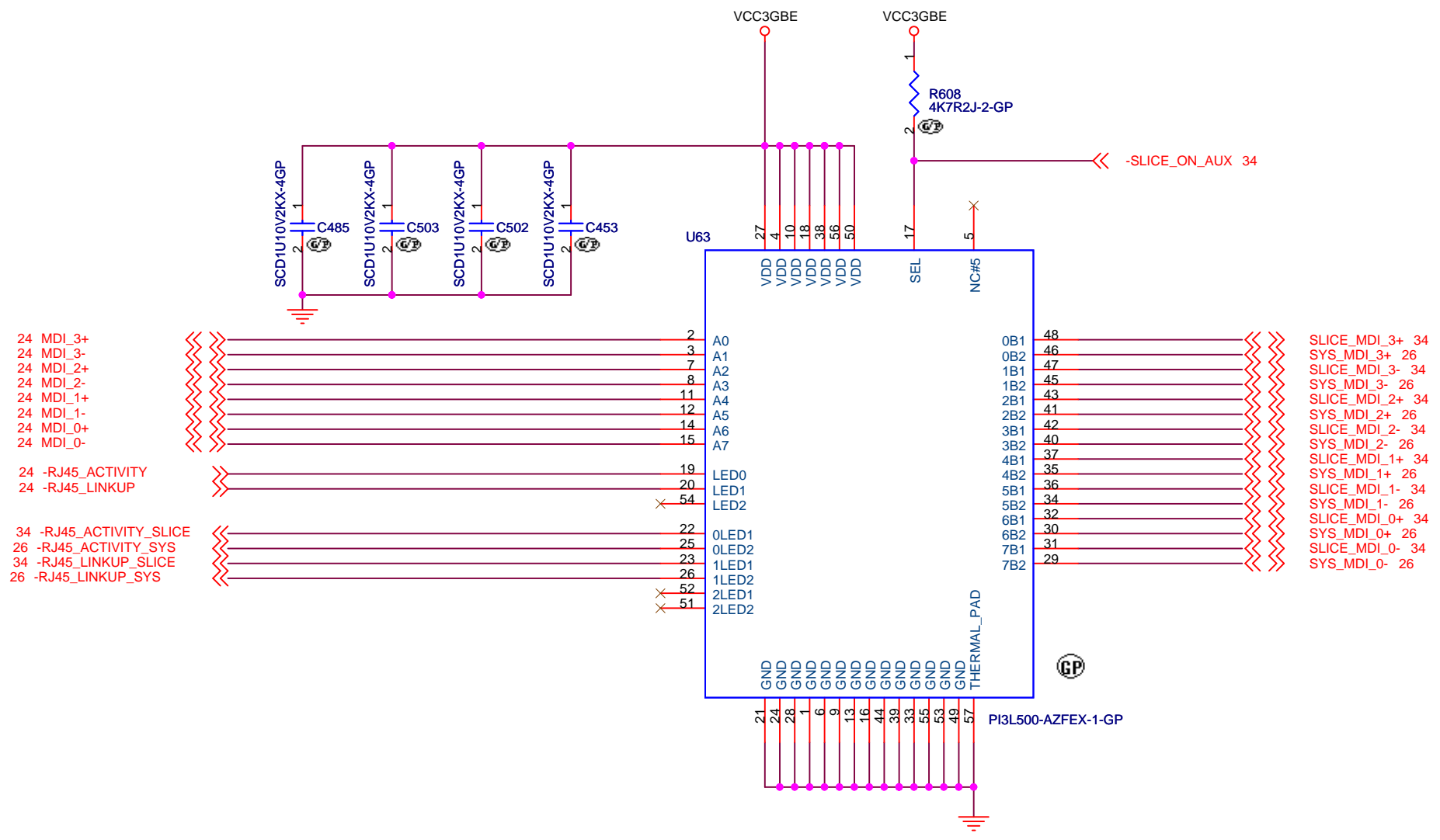
BOM

緯創資通 Wistron Corporation
 21F, 88, Sec.1, Hsin Tai Wu Rd., Hsichih,
 Taipei Hsien 221, Taiwan, R.O.C.

Title: **ICH9-M(2/4):PCI/PCIE/DMI/USB/SPI**

Size	Document Number	Rev
Custom	Mocha-1	-1

Date: Thursday, May 08, 2008 Sheet 21 of 62



24 MDI_3+
 24 MDI_3-
 24 MDI_2+
 24 MDI_2-
 24 MDI_1+
 24 MDI_1-
 24 MDI_0+
 24 MDI_0-

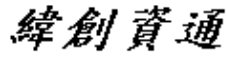
 24 -RJ45_ACTIVITY
 24 -RJ45_LINKUP

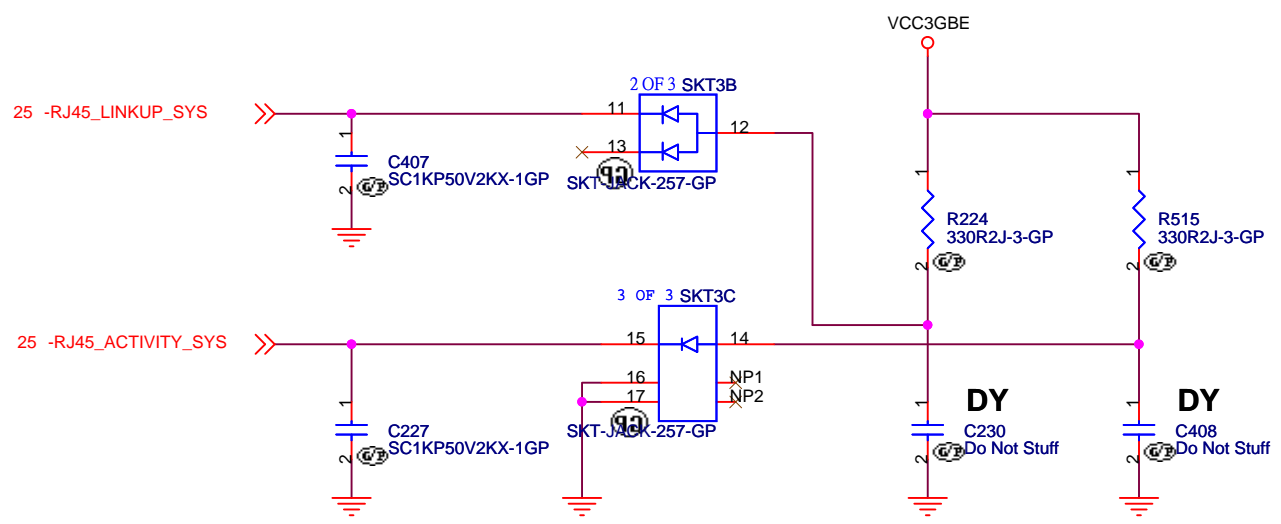
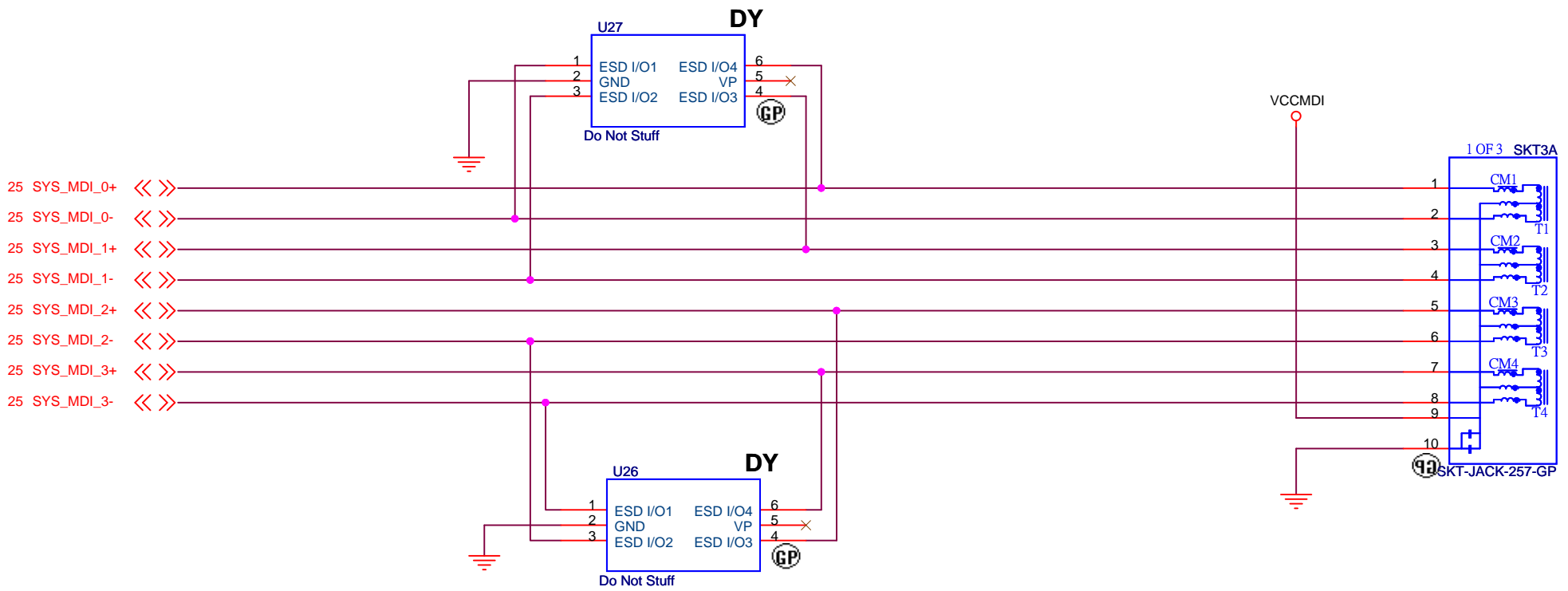
 34 -RJ45_ACTIVITY_SLICE
 26 -RJ45_ACTIVITY_SYS
 34 -RJ45_LINKUP_SLICE
 26 -RJ45_LINKUP_SYS

SLICE_MDI_3+ 34
 SYS_MDI_3+ 26
 SLICE_MDI_3- 34
 SYS_MDI_3- 26
 SLICE_MDI_2+ 34
 SYS_MDI_2+ 26
 SLICE_MDI_2- 34
 SYS_MDI_2- 26
 SLICE_MDI_1+ 34
 SYS_MDI_1+ 26
 SLICE_MDI_1- 34
 SYS_MDI_1- 26
 SLICE_MDI_0+ 34
 SYS_MDI_0+ 26
 SLICE_MDI_0- 34
 SYS_MDI_0- 26


		Vendor P/N	Wistron P/N
1st	Pericom	PI3L500AZFEX	41R0539AA
2nd	TI	TS3L500AERHUR	41R0539BA
3rd	MAXIM	MAX4927ETN+	74.04927.073

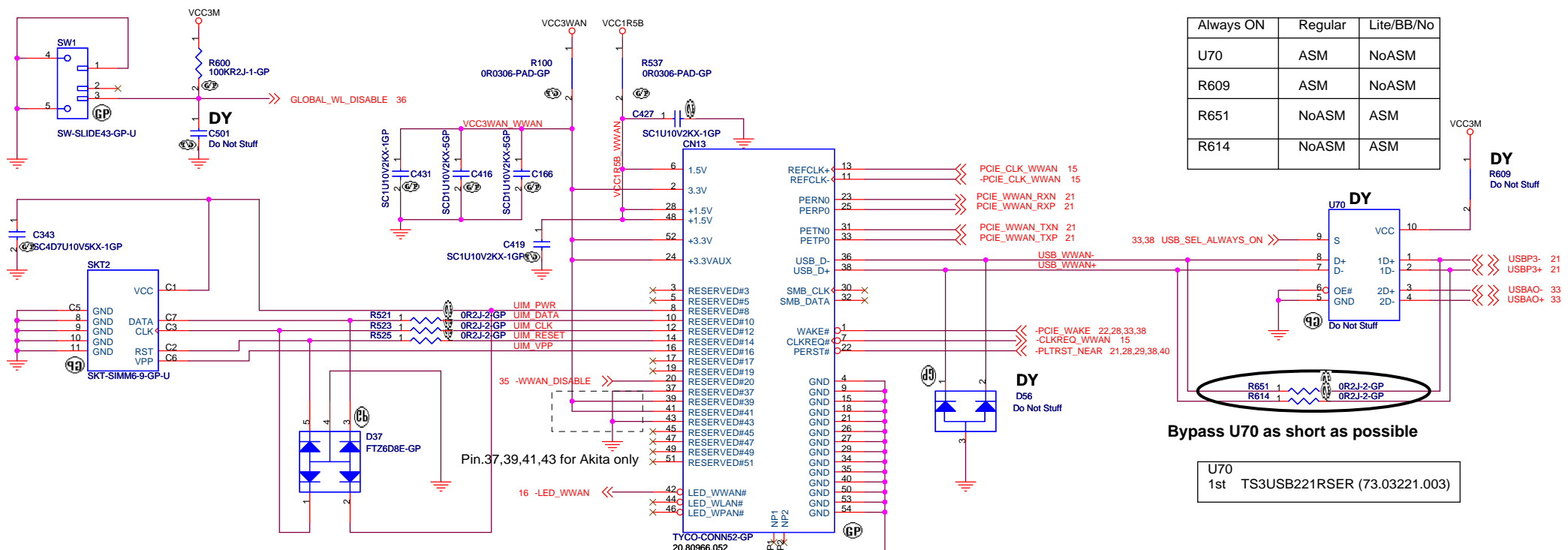
BOM

 Wistron Corporation 21F, 88, Sec.1, Hsin Tai Wu Rd., Hsichih, Taipei Hsien 221, Taiwan, R.O.C.	
Title GBE LAN SW	
Size A4	Document Number Mocha-1
Date: Thursday, May 08, 2008	
Rev -1	
Sheet 25 of 62	

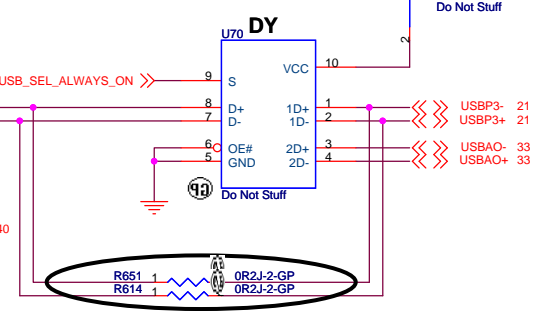


BOM

 Wistron Corporation 21F, 88, Sec.1, Hsin Tai Wu Rd., Hsichih, Taipei Hsien 221, Taiwan, R.O.C.		
RJ45 CONN		
Size A4	Document Number Mocha-1	Rev -1
Date: Thursday, May 08, 2008	Sheet 26 of 62	



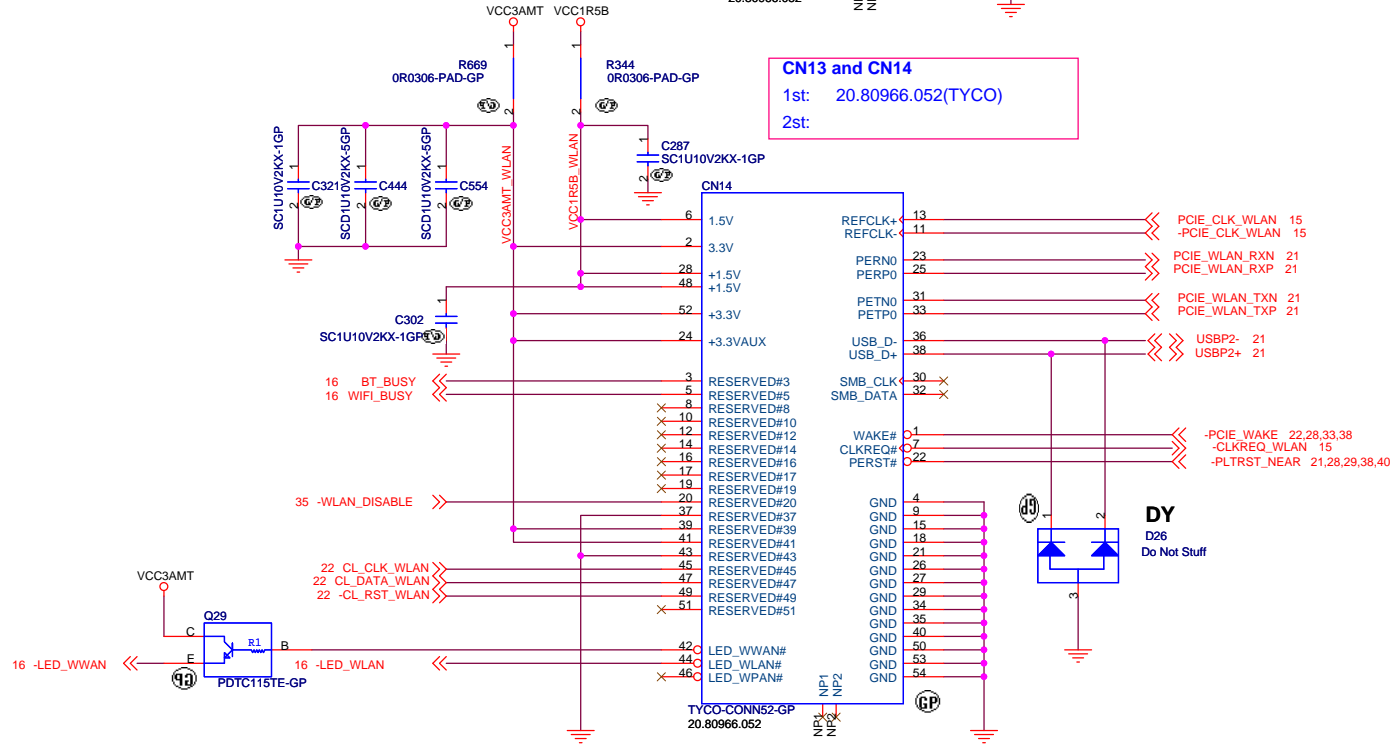
	Always ON	Regular	Lite/BB/No
U70	ASM	ASM	NoASM
R609	ASM	ASM	NoASM
R651	NoASM	ASM	ASM
R614	NoASM	ASM	ASM



Bypass U70 as short as possible

U70
1st TS3USB221RSER (73.03221.003)

CN13 and CN14
1st: 20.80966.052(TYCO)
2st:

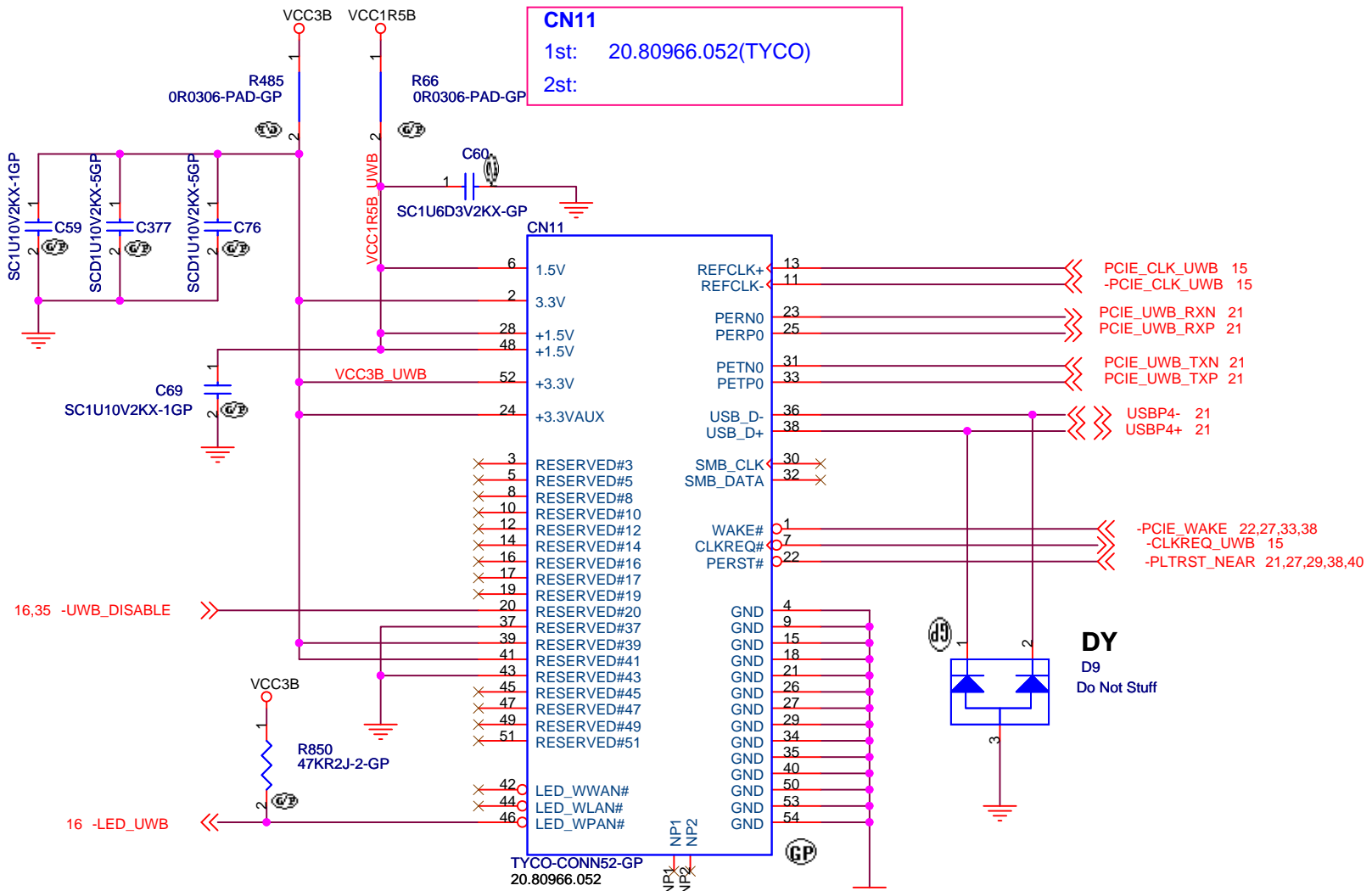


WWAN CONTROL TABLE

PAGE	LOCATION	YES	NO
27	CN13 SKT2 D37 C343 R521 R523 C431 C416 C166 C427 R100 R537	ASM	NON_ASM
58	Q10 R61 D10 R67 C80	ASM	NON_ASM
60	H12 H13	ASM	NON_ASM

BOM

緯創資通 **Wistron Corporation**
21F, 88, Sec.1, Hsin Tai Wu Rd., Hsichih,
Taipei Hsien 221, Taiwan, R.O.C.

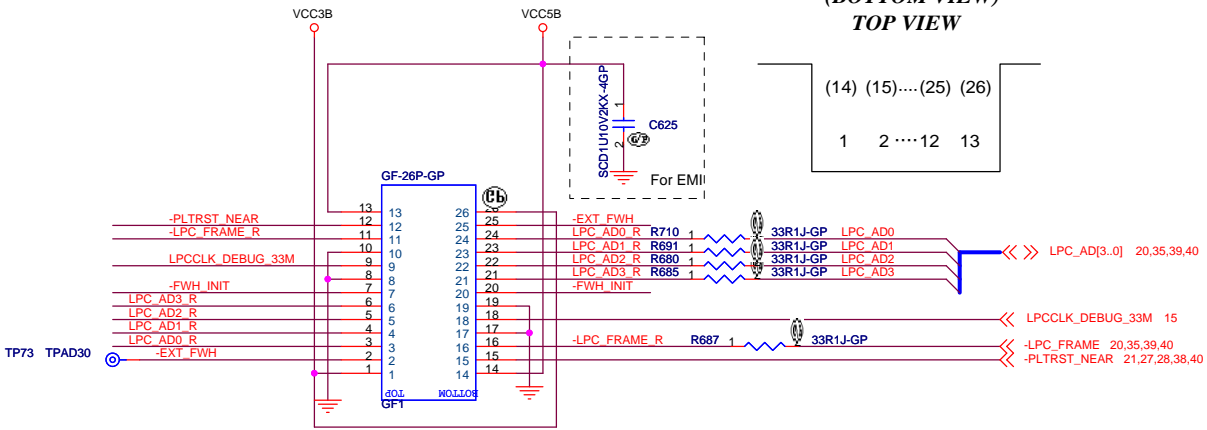


BOM

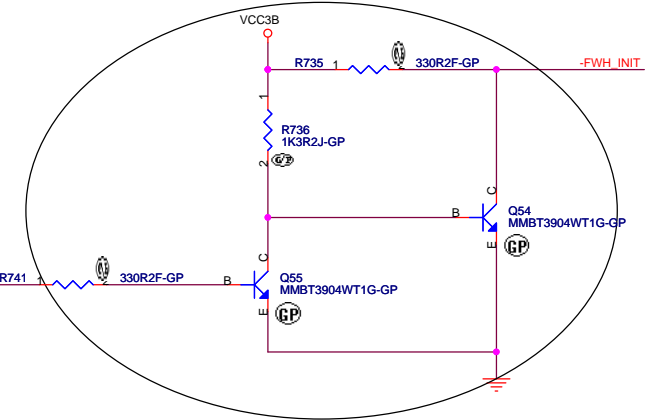
 Wistron Corporation 21F, 88, Sec.1, Hsin Tai Wu Rd., Hsichih, Taipei Hsien 221, Taiwan, R.O.C.	
MINI CARD SLOT 2	
Title MINI CARD SLOT 2	Document Number Mocha-1
Size A4	Rev -1
Date: Thursday, May 08, 2008	Sheet 28 of 62

Golden Finger for Debug Board

(BOTTOM VIEW)
TOP VIEW

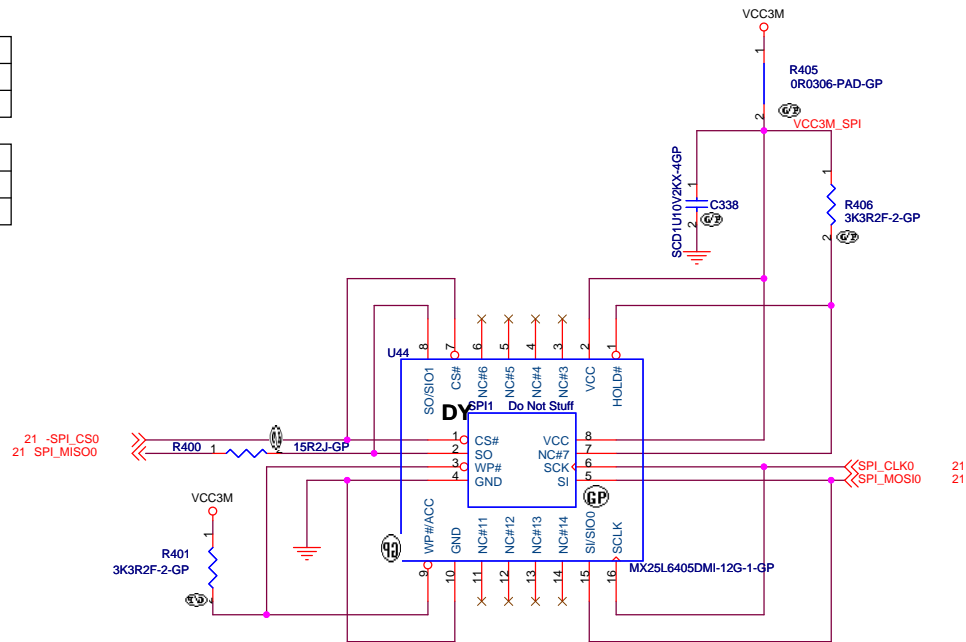


Check need to ALL NoASM the same KS-3



32Mbit SPI FLASH :		
ATMEL	AT26DF321-SU	72.26321.A01
MXIC	MX25L3205DM2I-12G	72.25325.A01

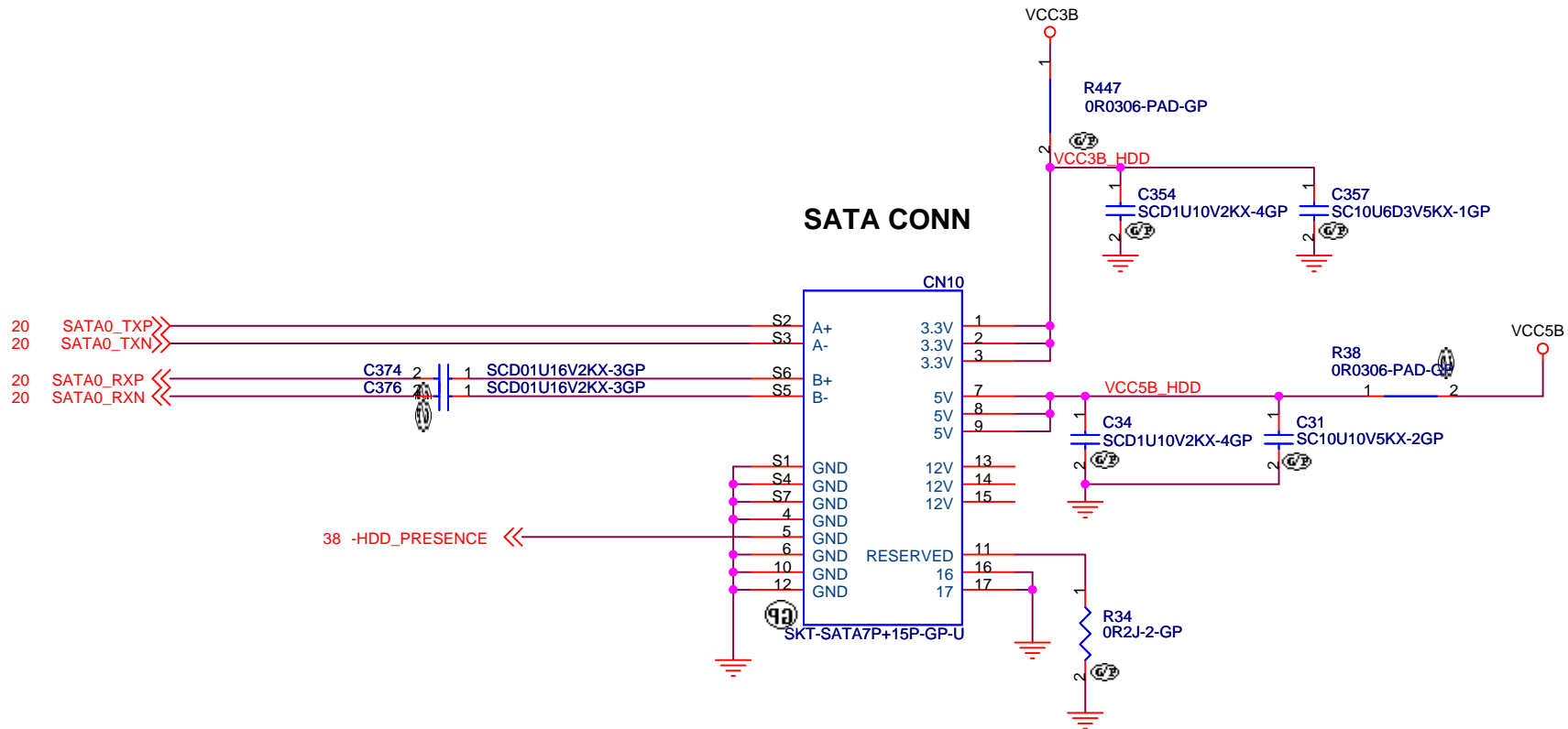
64Mbit SPI FLASH :		
MXIC	MX25L6405DMI-12G	41R0820AA
Winbond	W25X64VSFIG	41R0820BA




SO8 and SO16 are both supported!

BOM

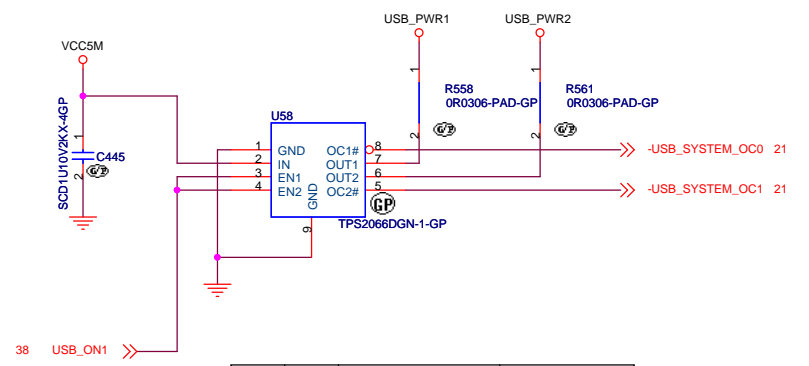
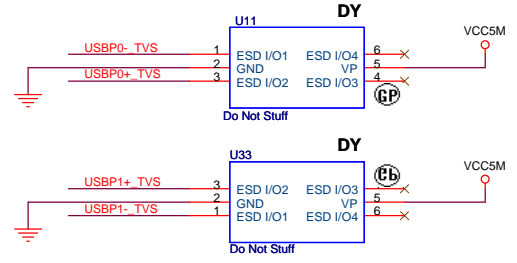
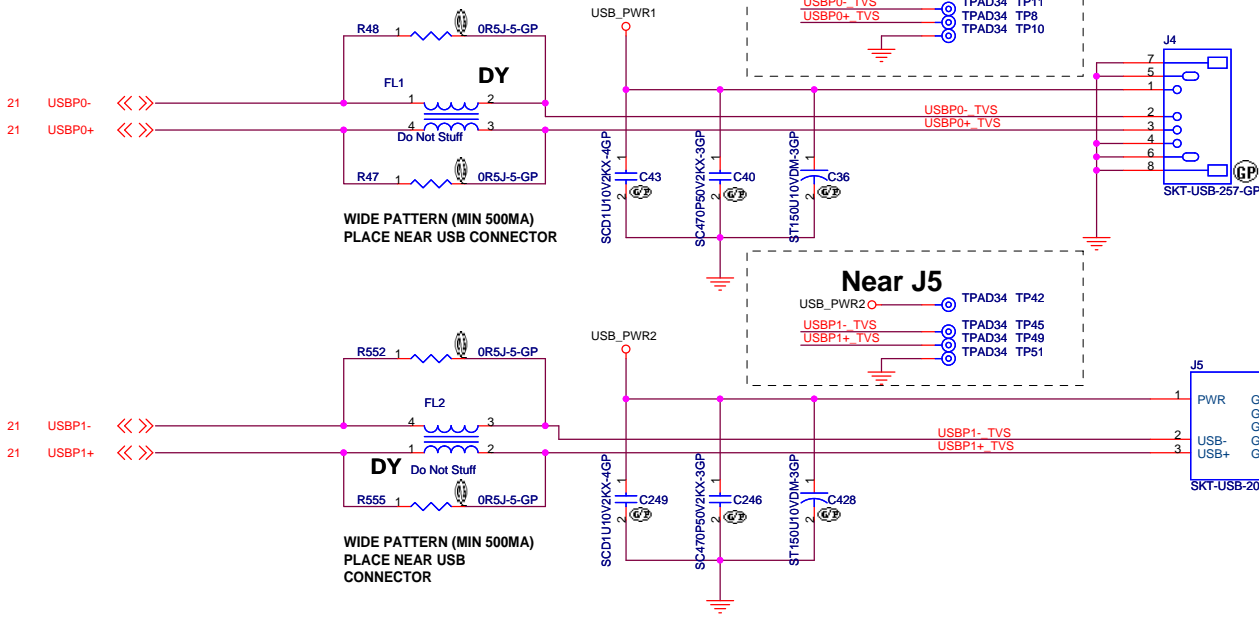
緯創資通		Wistron Corporation	
21F, 88, Sec.1, Hsin Tai Wu Rd., Hsichih, Taipei Hsien 221, Taiwan, R.O.C.			
Title			
SPI			
Size	Document Number	Rev	
A3	Mocha-1	-1	
Date:	Thursday, May 08, 2008	Sheet	29 of 62



BOM

 Wistron Corporation 21F, 88, Sec.1, Hsin Tai Wu Rd., Hsichih, Taipei Hsien 221, Taiwan, R.O.C.		
Title 2.5 inch SATA Connector		
Size A4	Document Number Mocha-1	Rev -1
Date: Thursday, May 08, 2008		Sheet 30 of 62

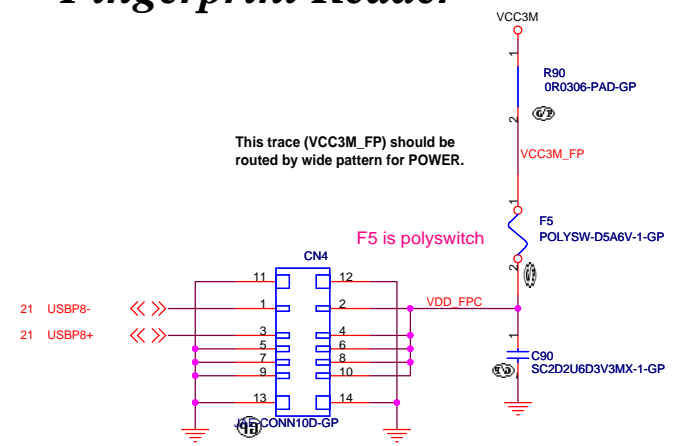
COMMON MODE CHOKE COIL: TDK ACM2520U
 PLACE THESE RESISTORS AS THE CHOKE COIL ARE ALSO
 PLACED ON THE SMA PADS OF THESE TWO 0-OHM
 RESISTORS



		U58	
1st	TI	TPS2066DGN-1	74.02066.B71
2nd	TI	TPS2066DGN	74.02066.A71

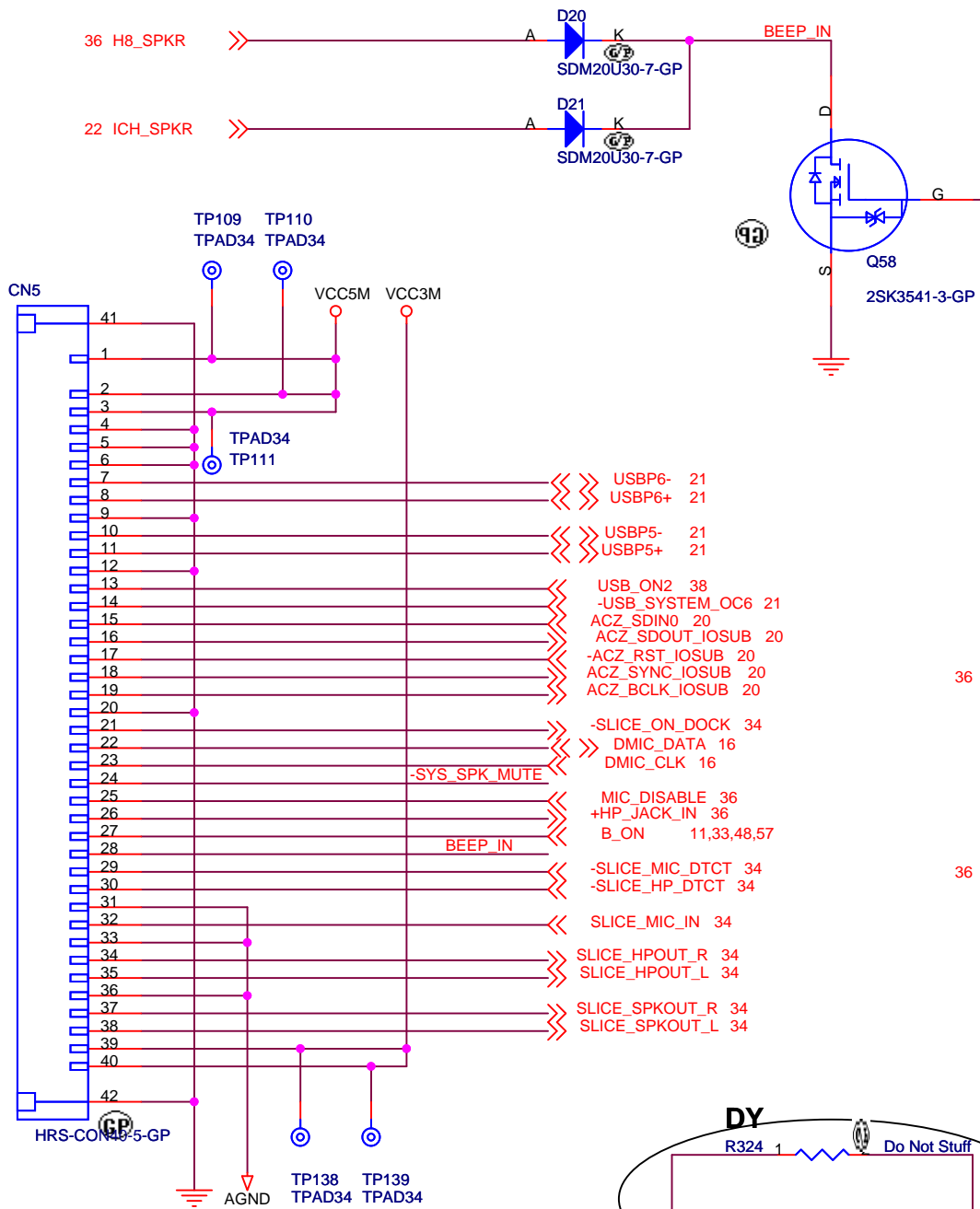
Fingerprint Reader

This trace (VCC3M_FP) should be routed by wide pattern for POWER.



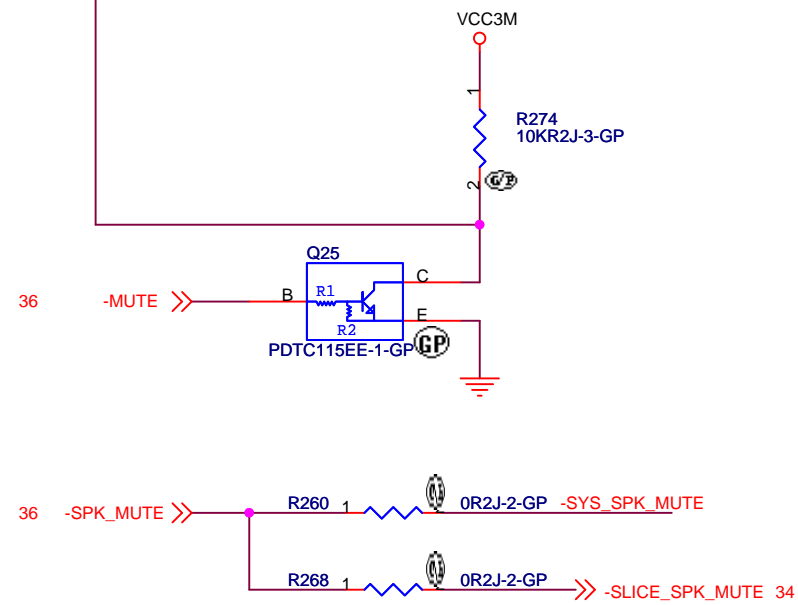
BOM

緯創資通		Wistron Corporation	
		21F, 88, Sec.1, Hsin Tai Wu Rd., Hsichih, Taipei Hsien 221, Taiwan, R.O.C.	
Title			
USB POWER / CONNECTOR			
Size	Document Number		Rev
A3		Mocha-1	-1
Date: Thursday, May 08, 2008		Sheet	62



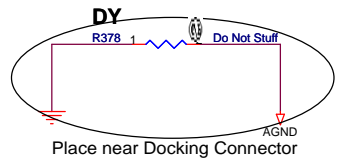
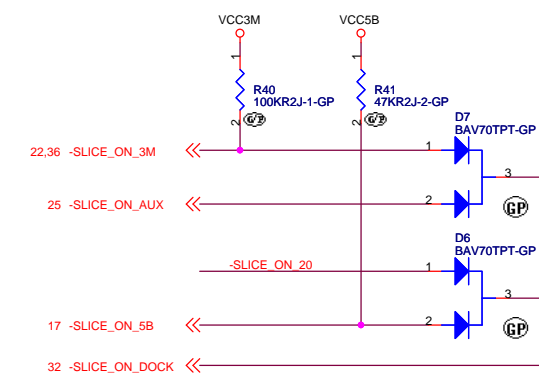
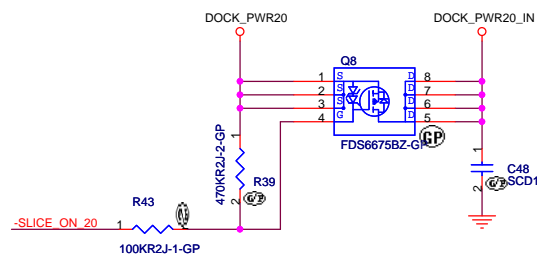
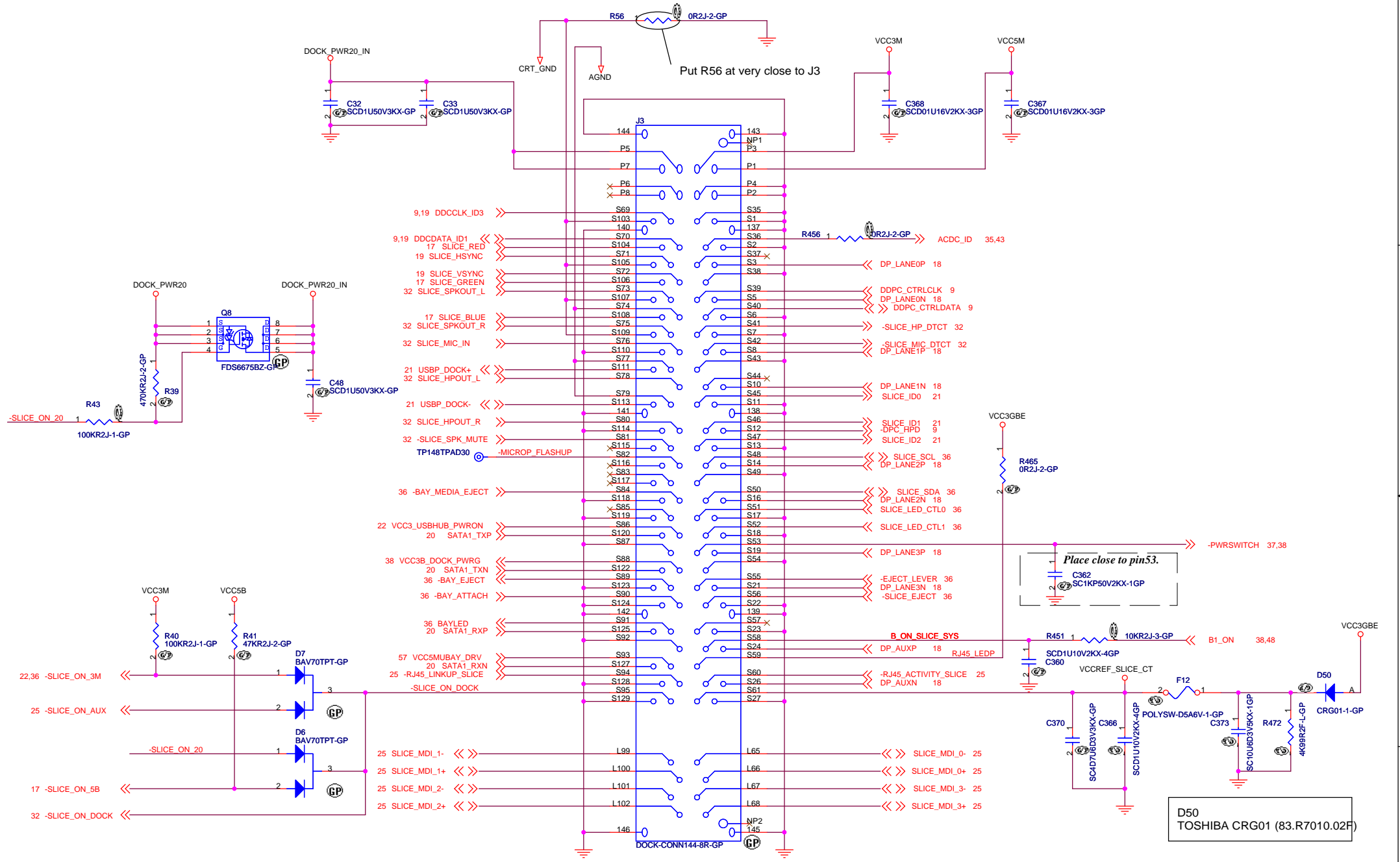
Near CN5

USBP6-	TP112 TPAD34	DMIC_CLK	TP125 TPAD34
USBP6+	TP113 TPAD34	-SYS_SPK_MUTE	TP126 TPAD34
USBP5-	TP114 TPAD34	MIC_DISABLE	TP127 TPAD34
USBP5+	TP115 TPAD34	+HP_JACK_IN	TP128 TPAD34
USB_ON2	TP116 TPAD34	B_ON	TP129 TPAD34
-USB_SYSTEM_OC6	TP117 TPAD34	BEEP_IN	TP130 TPAD34
ACZ_SDINO	TP118 TPAD34	-SLICE_MIC_DTCT	TP131 TPAD34
ACZ_SDOUT_IOSUB	TP119 TPAD34	-SLICE_HP_DTCT	TP132 TPAD34
-ACZ_RST_IOSUB	TP120 TPAD34	SLICE_MIC_IN	TP133 TPAD34
ACZ_SYNC_IOSUB	TP121 TPAD34	SLICE_HPOUT_R	TP134 TPAD34
ACZ_BCLK_IOSUB	TP122 TPAD34	SLICE_HPOUT_L	TP135 TPAD34
-SLICE_ON_DOCK	TP123 TPAD34	SLICE_SPKOUT_R	TP136 TPAD34
DMIC_DATA	TP124 TPAD34	SLICE_SPKOUT_L	TP137 TPAD34



BOM

		Wistron Corporation 21F, 88, Sec.1, Hsin Tai Wu Rd., Hsichih, Taipei Hsien 221, Taiwan, R.O.C.	
Sub-card Connector			
Size A4	Document Number Mocha-1		Rev -1
Date: Thursday, May 08, 2008	Sheet 32 of 62		

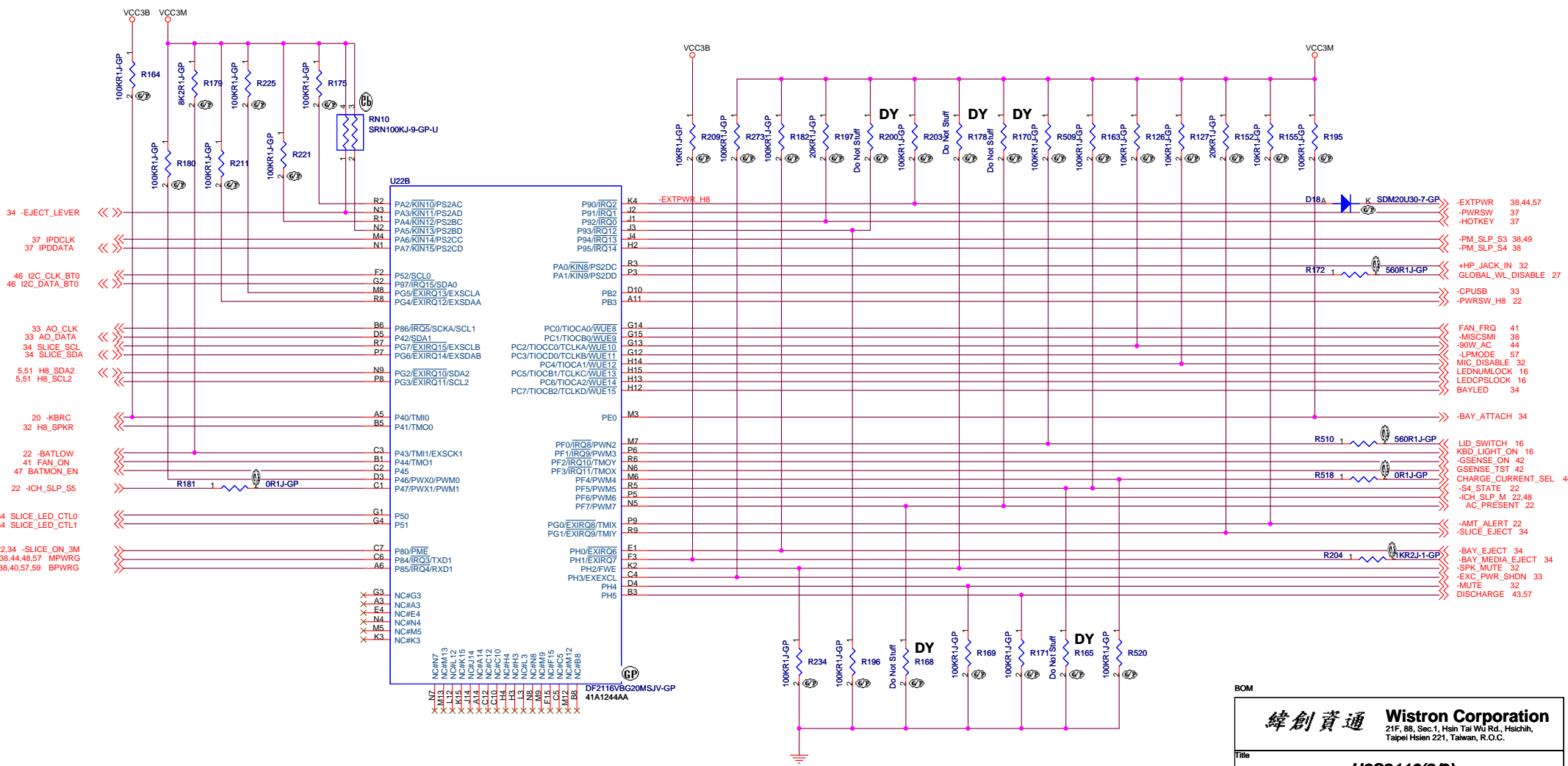
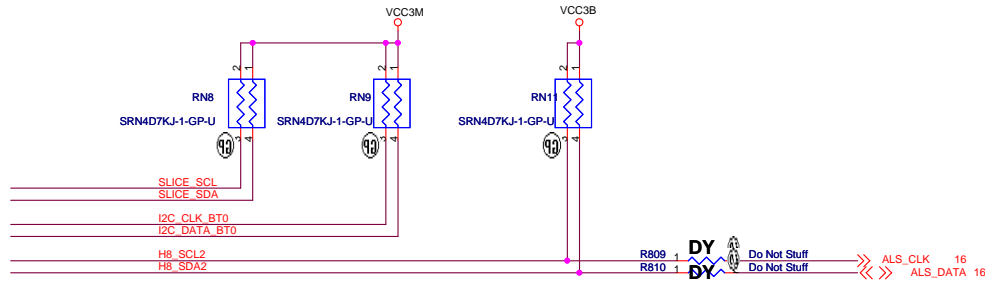


Place close to pin53.
C362
SC1KPS0V2KX-1GP

D50
TOSHIBA CRG01 (83.R7010.02F)

BOM

		Wistron Corporation 21F, 88, Sec.1, Hsin Tai Wu Rd., Hsichih, Taipei Hsien 221, Taiwan, R.O.C.	
SLICE CONNECTOR			
Title	Document Number		Rev
Size	Mocha-1		-1
Date: Thursday, May 08, 2008	Sheet	34	of 62



BOM

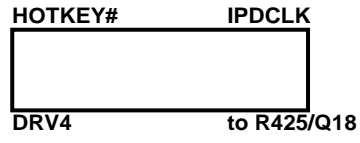
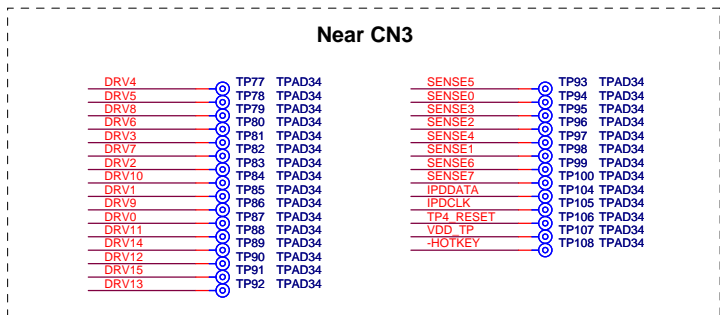
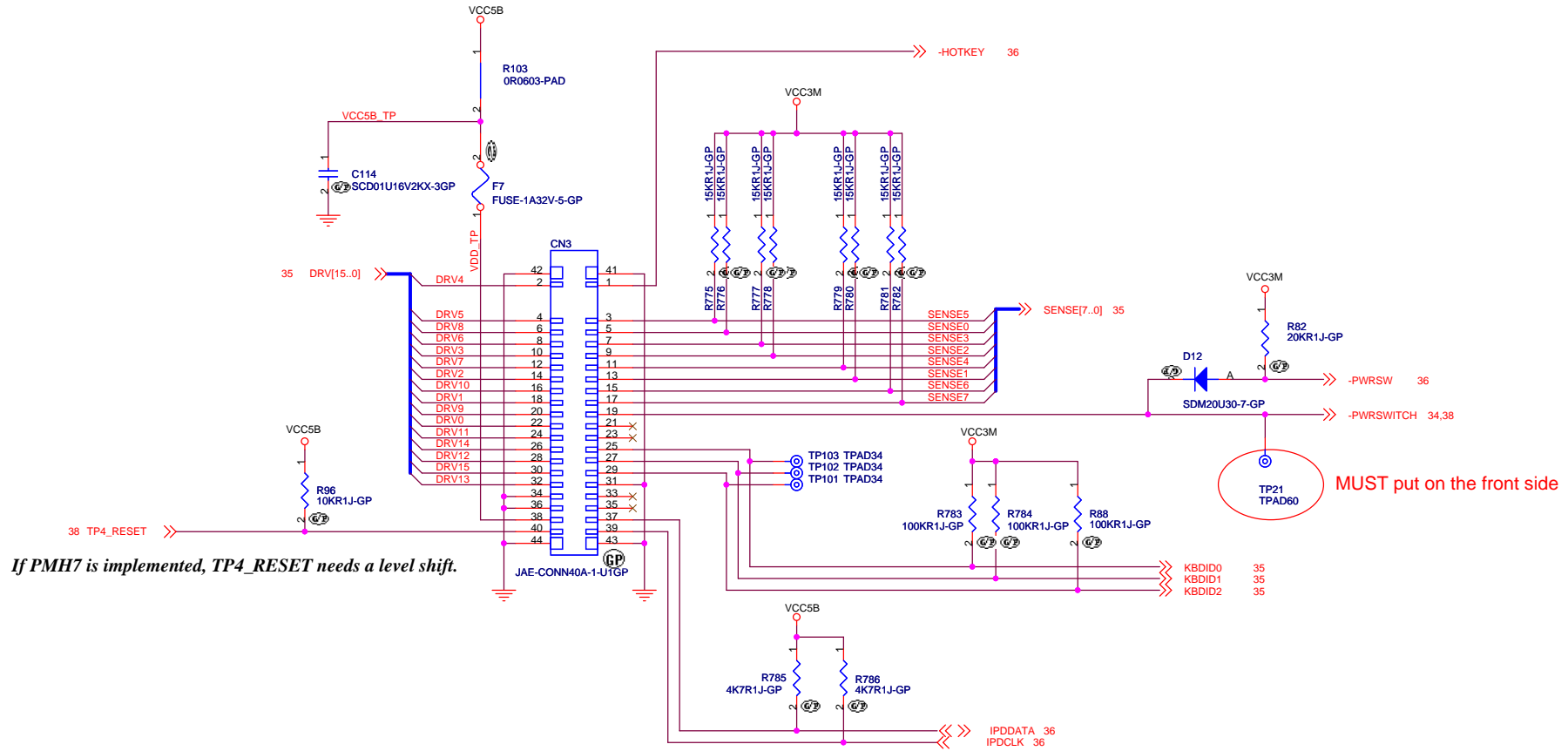
緯創資通 Wistron Corporation
21F, 88, Sec.1, Hsin Tai Wu Rd., Hsichih, Taipei Hsien 221, Taiwan, R.O.C.

Title: **H8S2116(2/2)**

Size: Document Number
 Custom: **Mocha-1** Rev: **-1**

Date: Thursday, May 08, 2008 Sheet 36 of 82

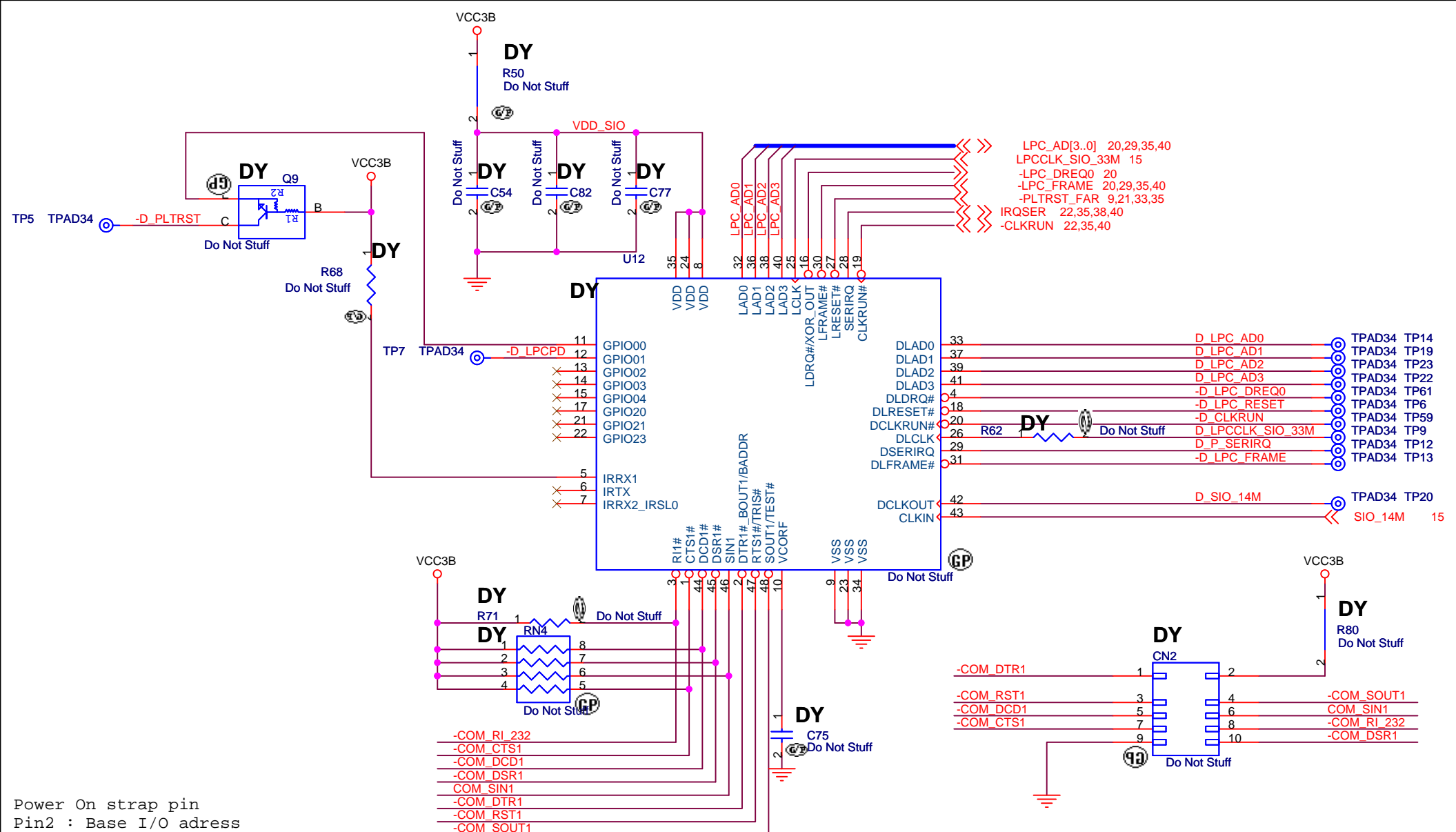
Keyboard Connector



Keyboard Connector Top View


BOM

Wistron Corporation 21F, 88, Sec.1, Hsin Tai Wu Rd., Hsichih, Taipei Hsien 221, Taiwan, R.O.C.	
Title: KEYBOARD CONN	
Size: A3	Document Number: Mocha-1
Date: Thursday, May 08, 2008	Rev: -1
Sheet: 37	of 62

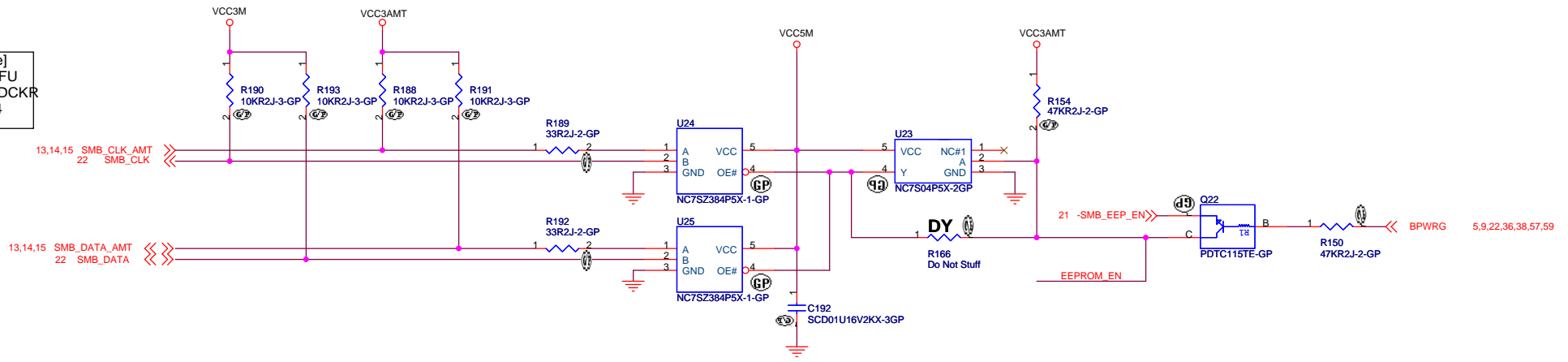


Power On strap pin
 Pin2 : Base I/O address
 NC : 164E/164F (Internal PU)
 PD : 2E/2F
 Pin31 : LPC Switch function
 NC : Switch Enable(controlle by DLCON bit)
 PD : Switch Disable(forced to be Dissconnected)
 Pin47 : Tristate
 NC : Normal Operation
 PD : All pins floting
 Pin48 : Test
 NC : Normal Operation
 PD : Test mode

BOM

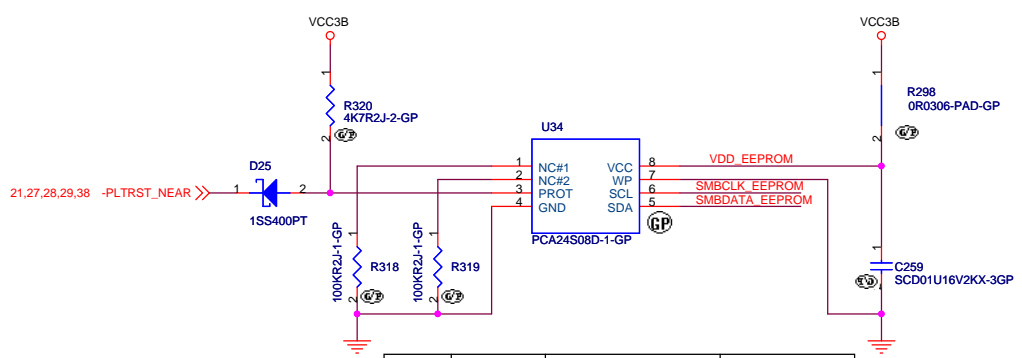
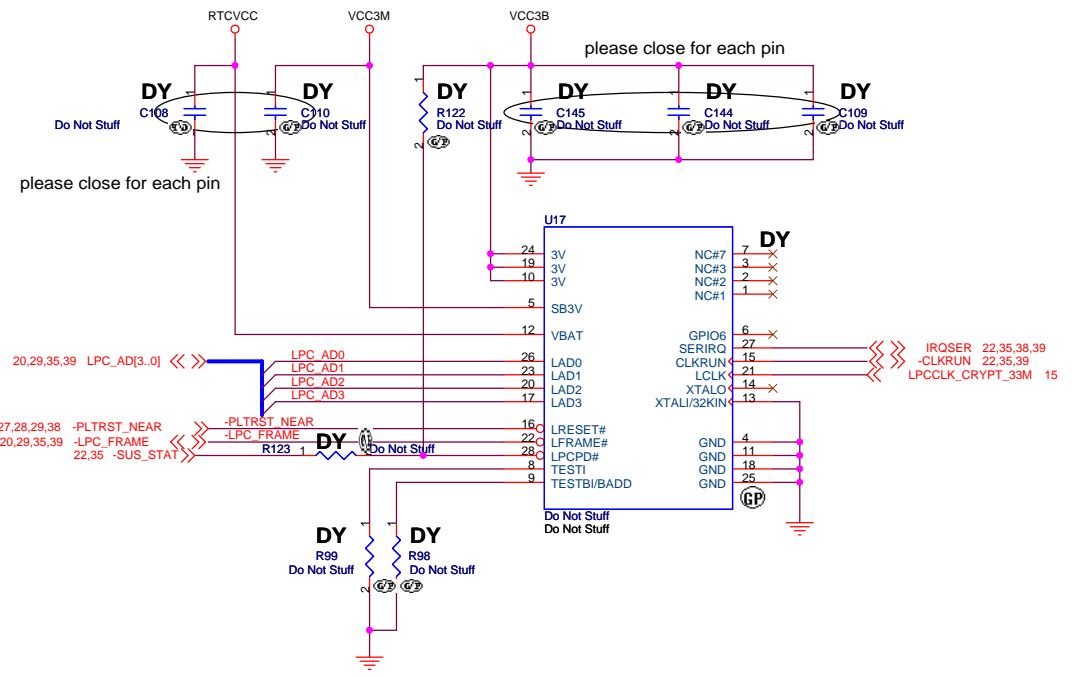
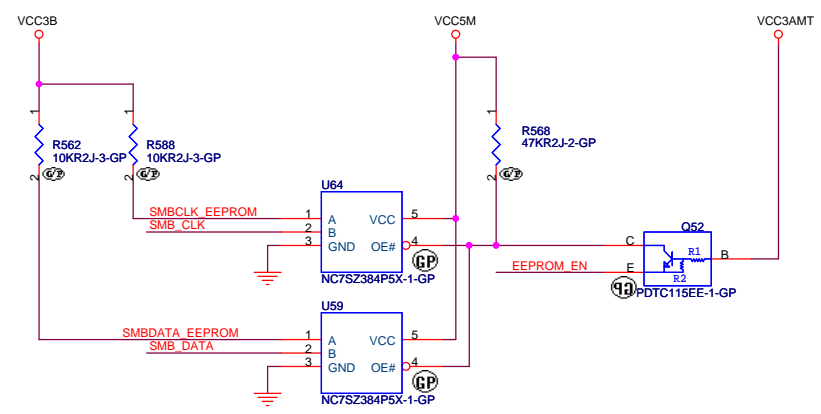
 Wistron Corporation 21F, 88, Sec.1, Hsin Tai Wu Rd., Hsichih, Taipei Hsien 221, Taiwan, R.O.C.		
Title		
WPCN385SDG		
Size A4	Document Number Mocha-1	Rev -1
Date: Thursday, May 08, 2008	Sheet 39 of	62

[Sourcing Candidate]
 Toshiba TC7SB384FU
 TI SN74CBT1G384DCKR
 Fairchild NC7SZ384



EEPROM

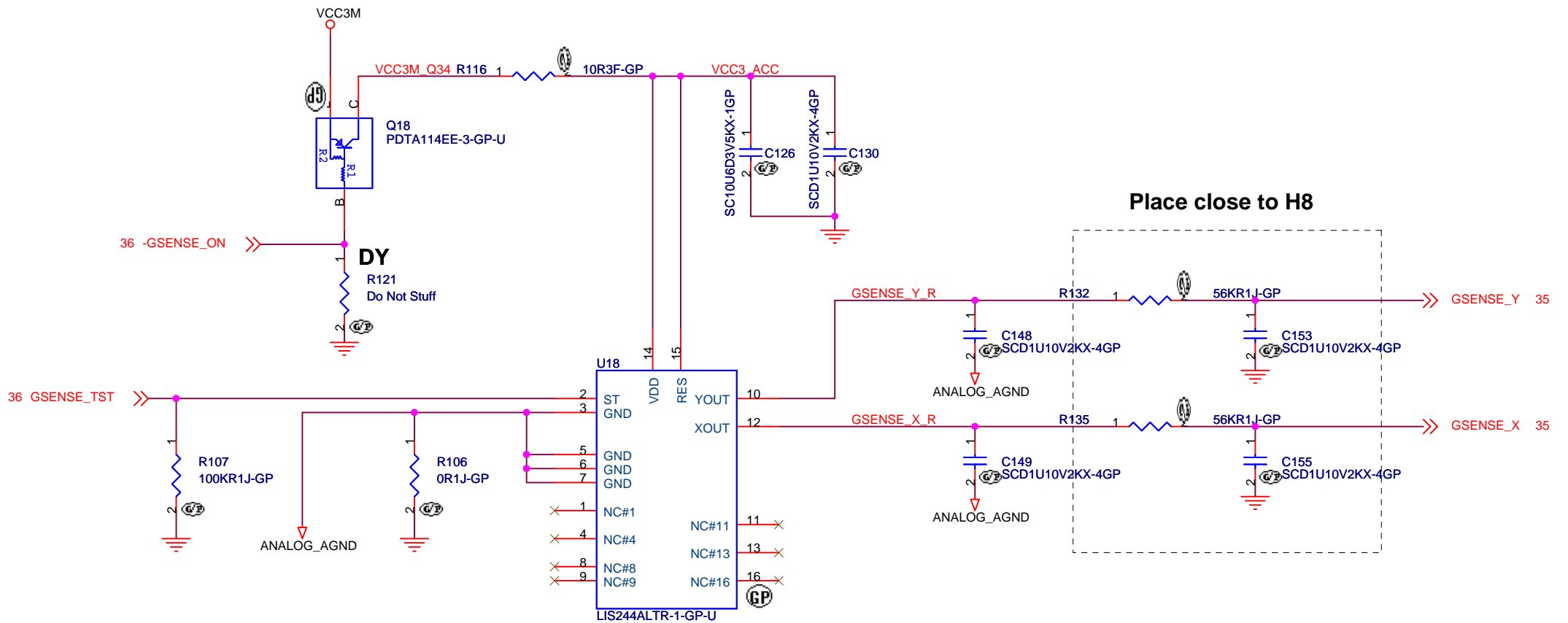
TCPA



		U34	Wistron P/N
1st	PHILIPS	PCA24S08D	38L5170AA

BOM

緯創資通		Wistron Corporation	
		21F, 88, Sec.1, Hsin Tai Wu Rd., Hsichih, Taipei Hsien 221, Taiwan, R.O.C.	
Title	EEPROM/TCPA		
Size A3	Document Number	Mocha-1	Rev -1
Date: Thursday, May 08, 2008	Sheet 40	of 62	



Primary : ADI ADXL322
 2nd : STMicro LIS244AL
 3rd : STMicro LIS34AL

Width = 6 mil & Spacing = 10 mil
 for three Output traces

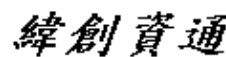
Layout Comment :

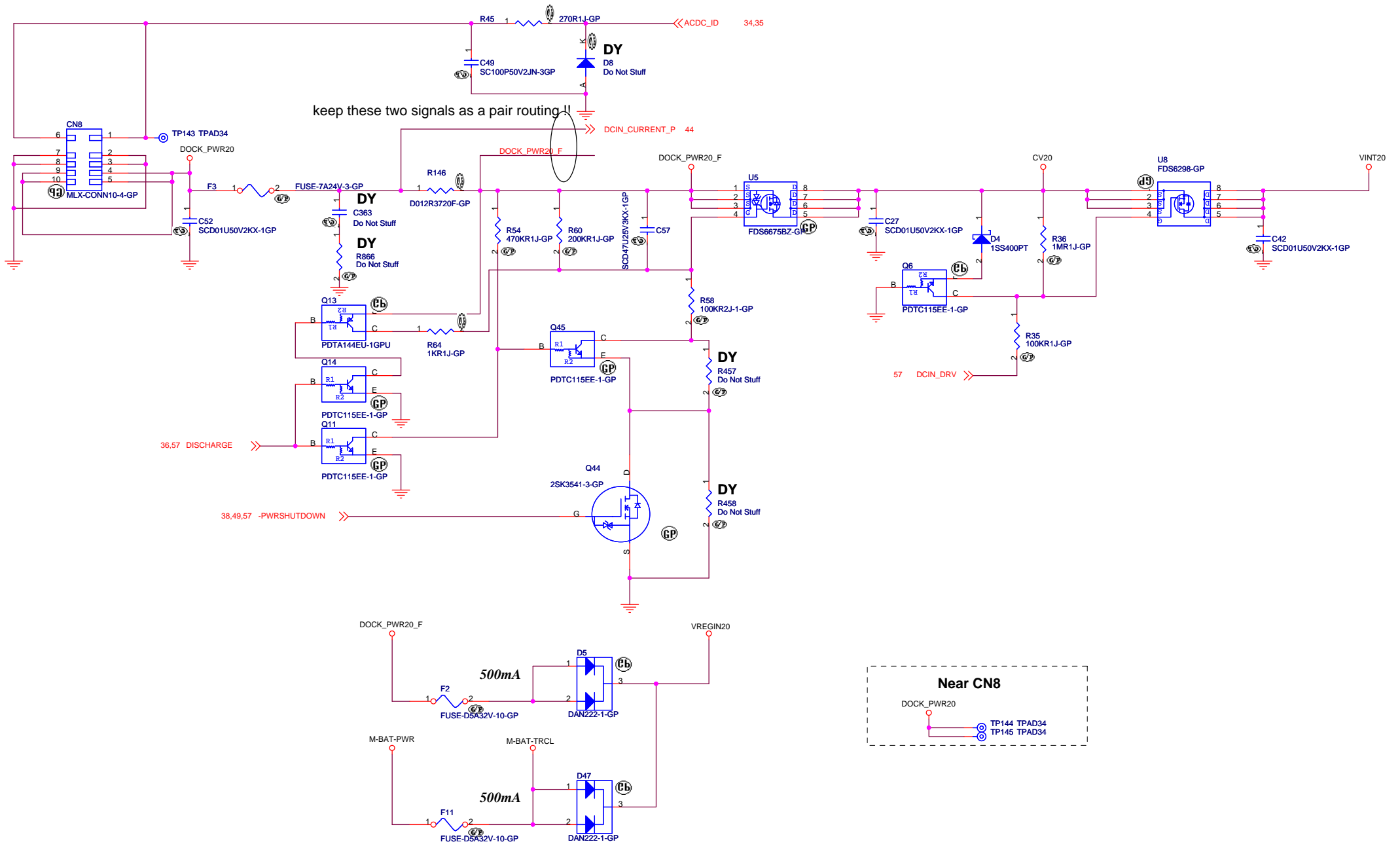
(1) Place C148, C149, Q18, R116, R121, C126, C130, R107, R106 close to U18.

(2) Avoid routing under DCDC switching area.

	ADXL322 LIS244AL LIS34AL	No Accel
R121	NO_ASM	ASM
R107	ASM	ASM
All other	ASM	NO_ASM

BOM

 Wistron Corporation 21F, 88, Sec.1, Hsin Tai Wu Rd., Hsichih, Taipei Hsien 221, Taiwan, R.O.C.		
Title G-SENSOR		
Size A4	Document Number Mocha-1	Rev -1
Date: Thursday, May 08, 2008		Sheet 42 of 62



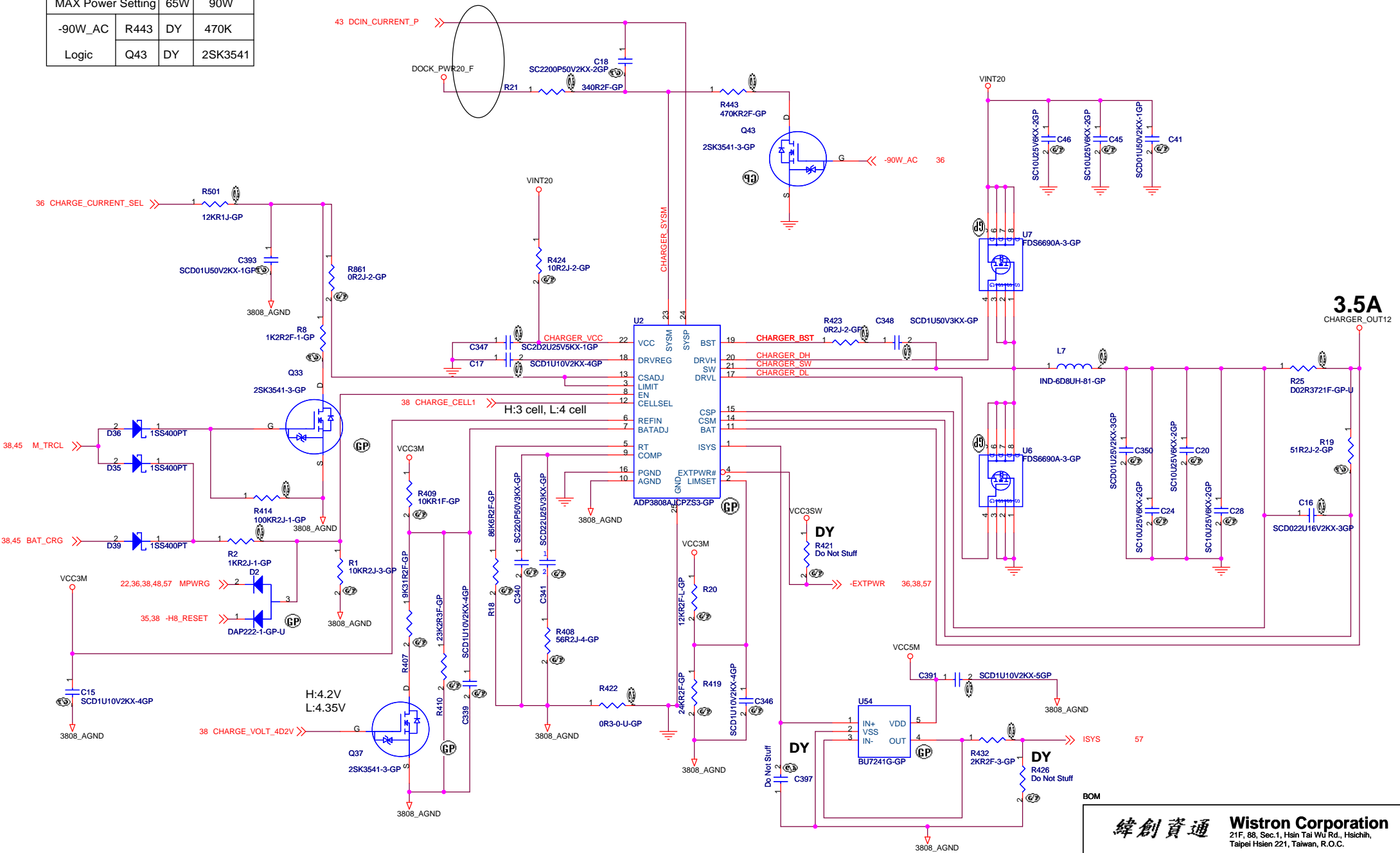
BOM

緯創資通		Wistron Corporation	
		21F, 88, Sec.1, Hsin Tai WJ Rd., Hsichih, Taipei Hsien 221, Taiwan, R.O.C.	
Title			
DC-IN AND CHARGER (1/2)			
Size	Document Number		Rev
A3		Mocha-1	-1
Date:	Thursday, May 08, 2008	Sheet	43 of 62

90W, 65W, auto selection mode

MAX Power Setting	65W	90W
-90W_AC	R443 DY	470K
Logic	Q43 DY	2SK3541

Keep these two signals as a pair routing !!



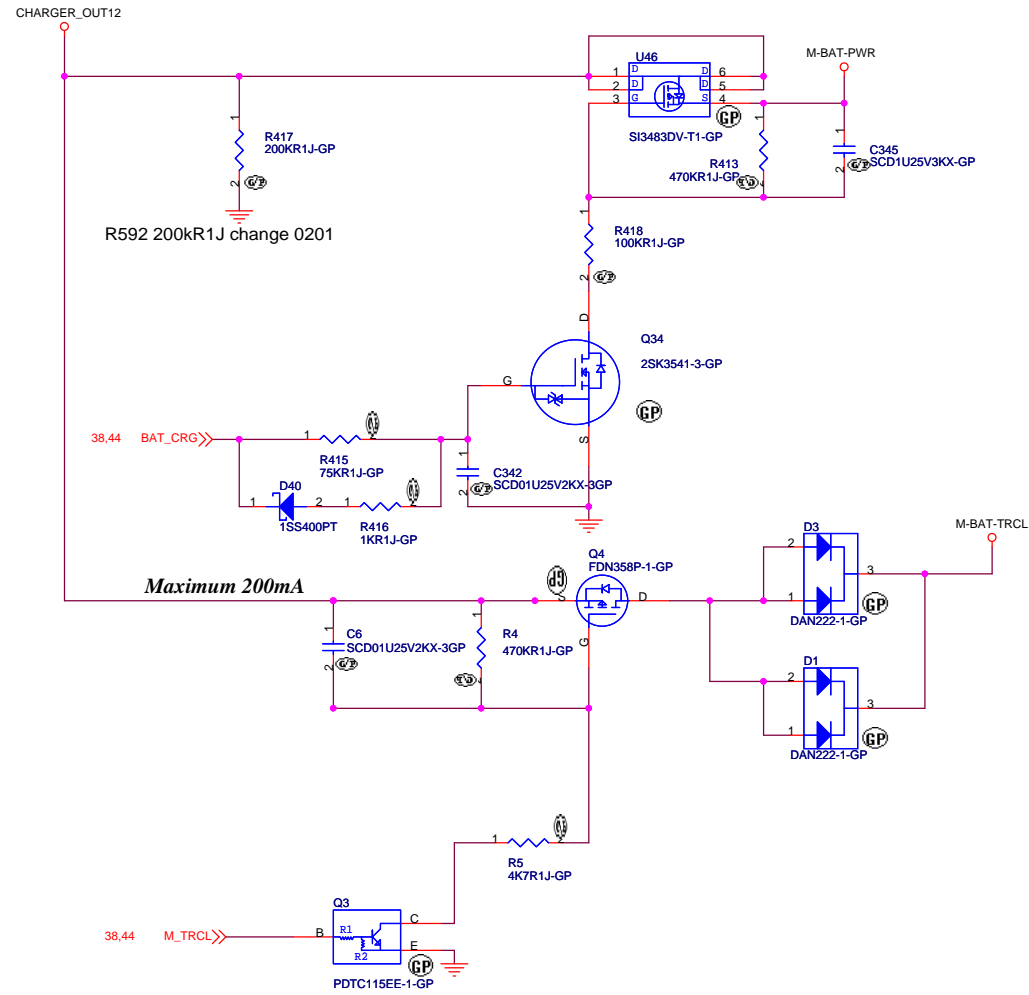
BOM

緯創資通 Wistron Corporation
 21F, 88, Sec.1, Hsin Tai Wu Rd., Hsichih,
 Taipei Hsien 221, Taiwan, R.O.C.

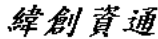
Title: **DC-IN AND CHARGER (2/2)**

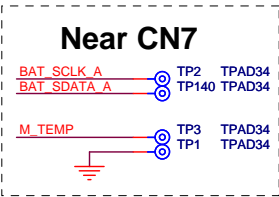
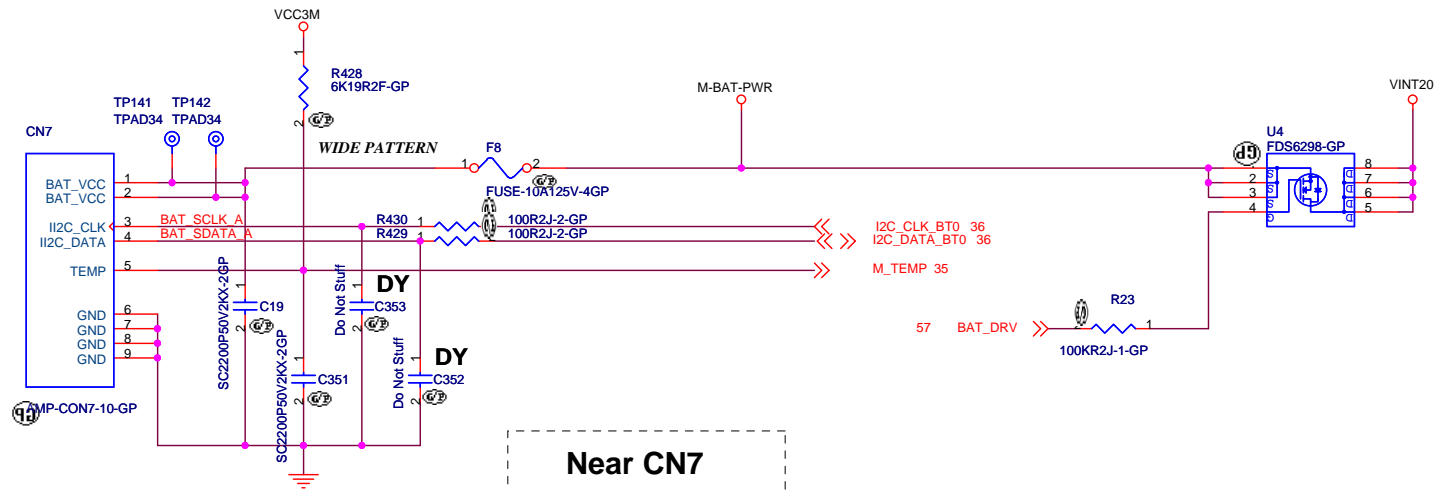
Size A3 Document Number **Mocha-1** Rev -1

Date: Thursday, May 08, 2008 Sheet 44 of 62

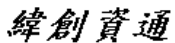


BOM

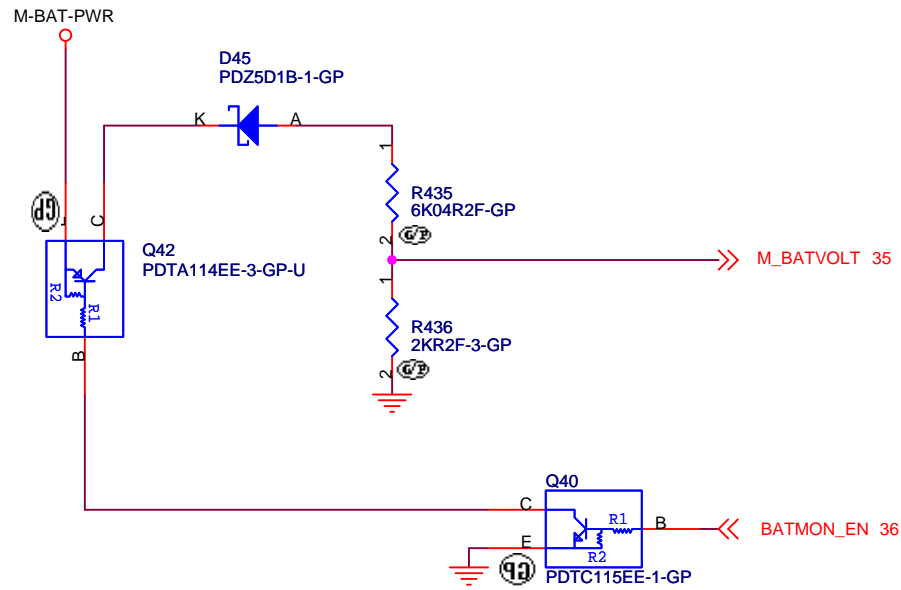
 Wistron Corporation 21F, 88, Sec.1, Hsin Tai Wu Rd., Hsichih, Taipei Hsien 221, Taiwan, R.O.C.	
CHARGER SELECT	
Title	
Size A3	Document Number Mocha-1
Date: Thursday, May 08, 2008	Rev -1
Sheet 45	of 62



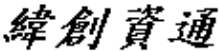
BOM

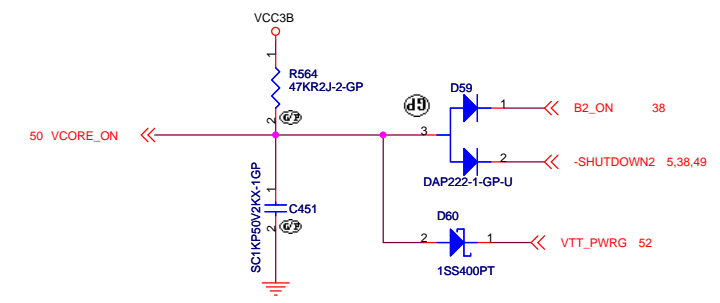
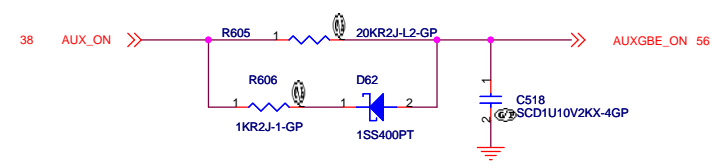
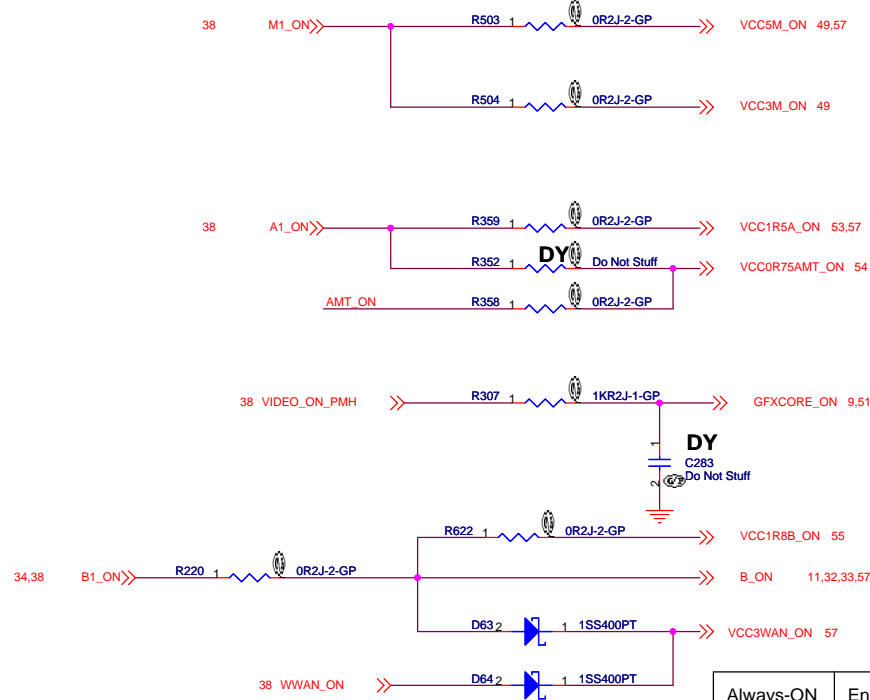
 Wistron Corporation 21F, 88, Sec.1, Hsin Tai Wu Rd., Hsichih, Taipei Hsien 221, Taiwan, R.O.C.		
BATTERY INPUT		
Size B	Document Number	Rev -1
Date: Thursday, May 08, 2008		Sheet 46 of 62

$$V_{OUT} = 0.249 (V_{BAT} - 5)$$

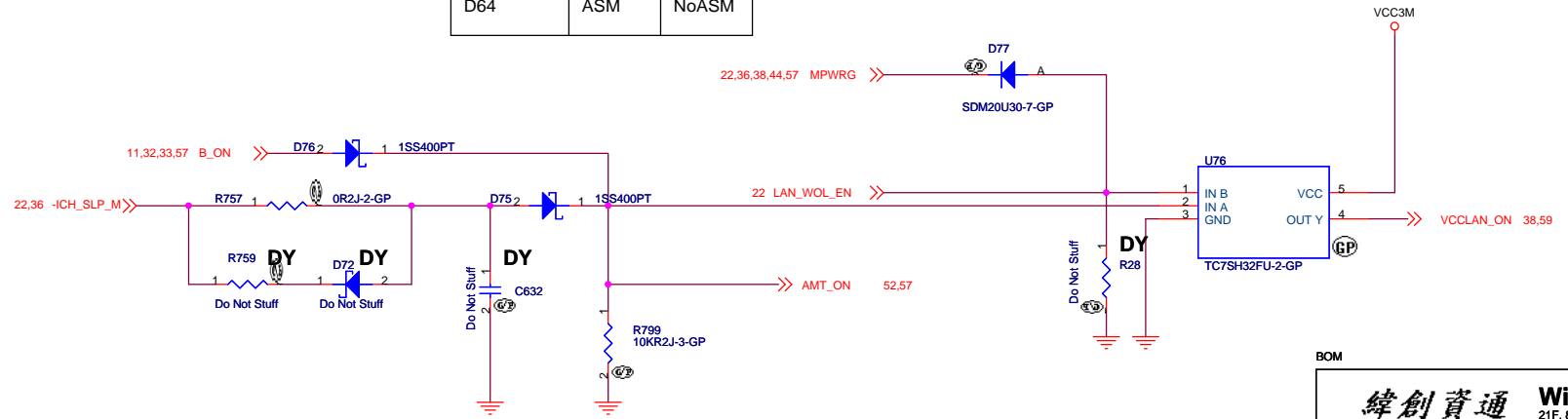


BOM

 Wistron Corporation 21F, 88, Sec.1, Hsin Tai Wu Rd., Hsichih, Taipei Hsien 221, Taiwan, R.O.C.	
BATTERY MONITOR	
Size A4	Document Number <div style="text-align: center; font-weight: bold; font-size: 1.2em;">Mocha-1</div>
Date: Thursday, May 08, 2008	Rev -1
Sheet 47 of 62	

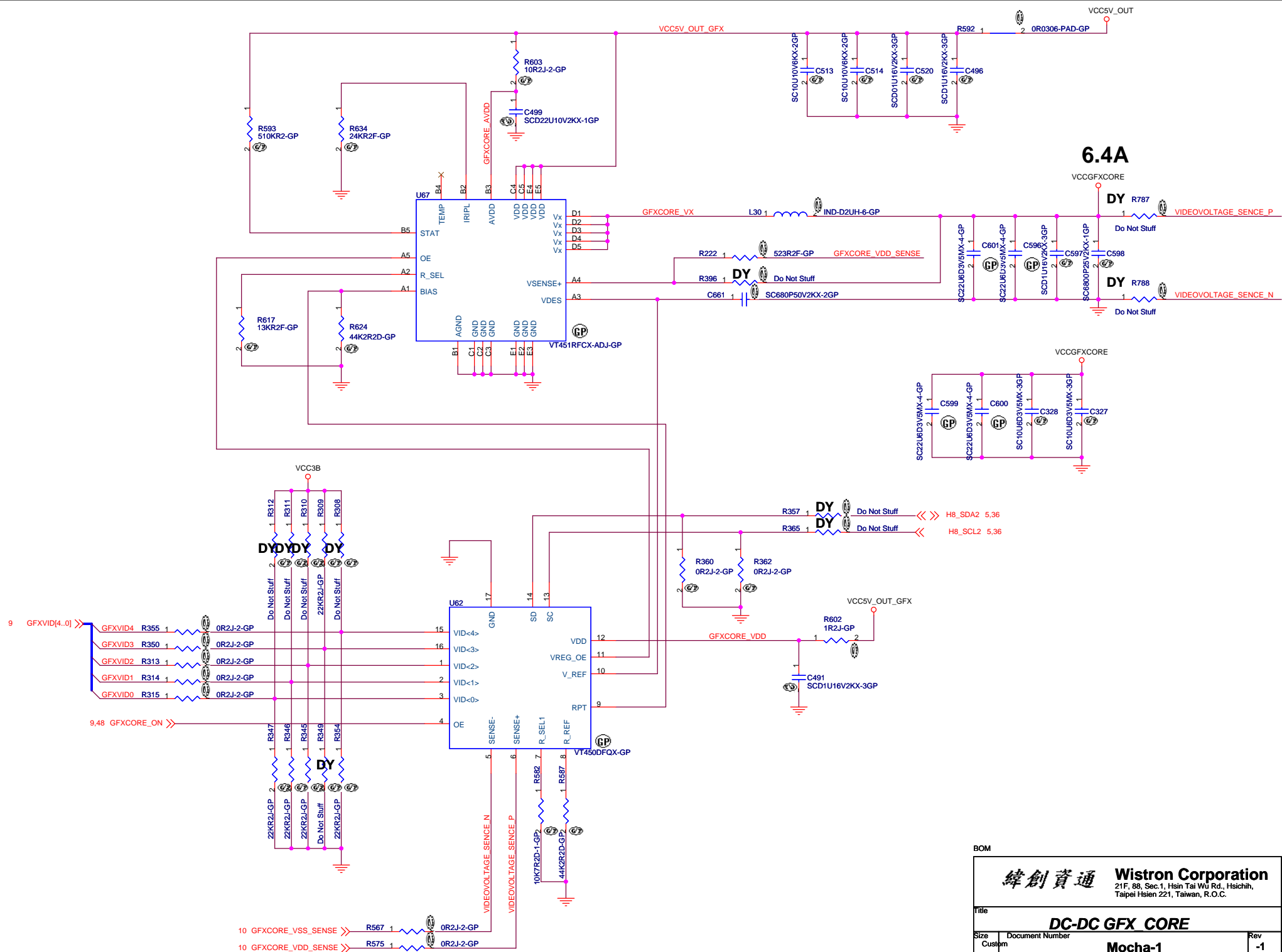



	Always-ON	Enable	Disable
D63		ASM	NoASM
D64		ASM	NoASM

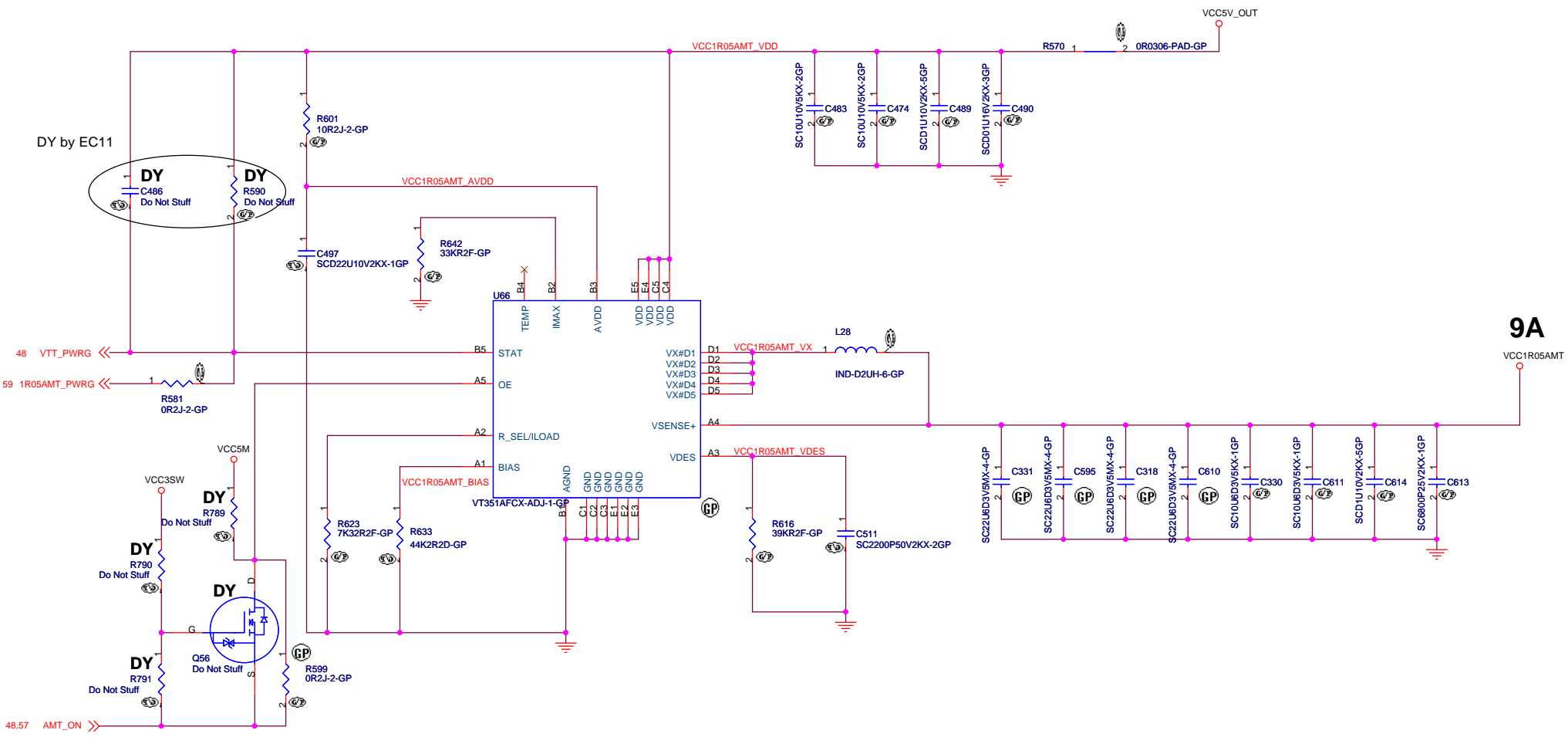


BOM

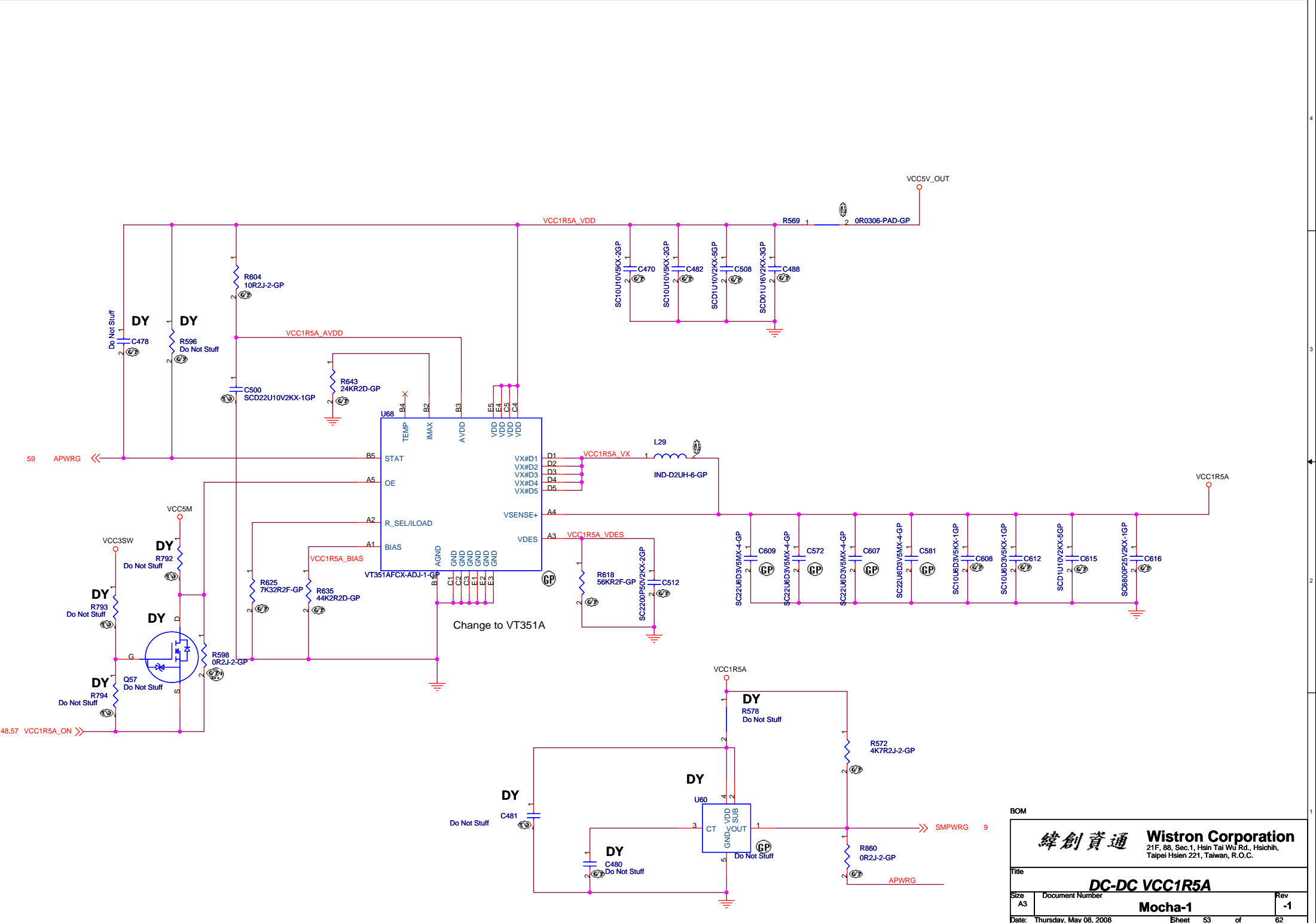
Wistron Corporation 21F, 88, Sec.1, Hsin Tai Wu Rd., Hsichih, Taipei Hsien 221, Taiwan, R.O.C.	
POWER SEQUENCE	
Title	
Size A3	Document Number
Mocha-1	
Date: Thursday, May 08, 2008	Sheet 48 of 62



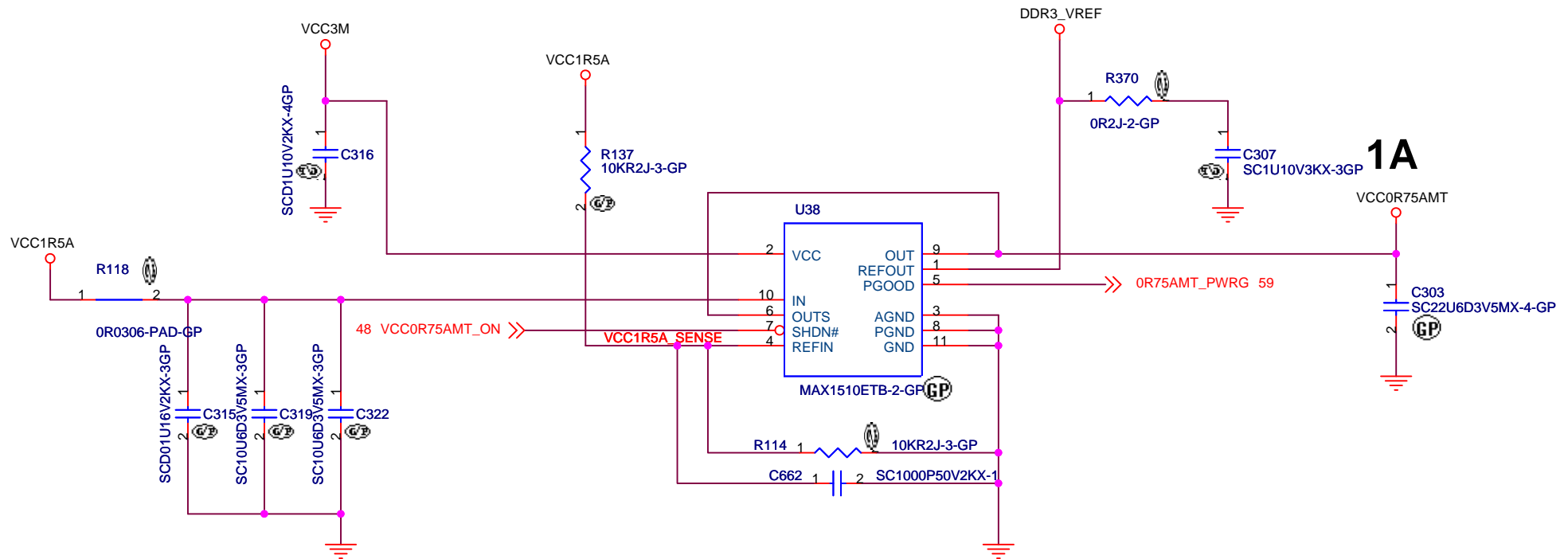
 Wistron Corporation 21F, 88, Sec.1, Hsin Tai Wu Rd., Hsichih, Taipei Hsien 221, Taiwan, R.O.C.	
DC-DC GFX CORE	
Title	
Size	Document Number
Custom	Mocha-1
Date: Thursday, May 08, 2008	Sheet 51 of 62
	Rev -1




BOM	
緯創資通 Wistron Corporation 21F, 88, Sec.1, Hsin Tai Wu Rd., Hsichih, Taipei Hsien 221, Taiwan, R.O.C.	
Title	
DC-DC VCC1R05AMT	
Size A3	Document Number Mocha-1
Date: Thursday, May 08, 2008	Rev -1
Sheet 52	of 62

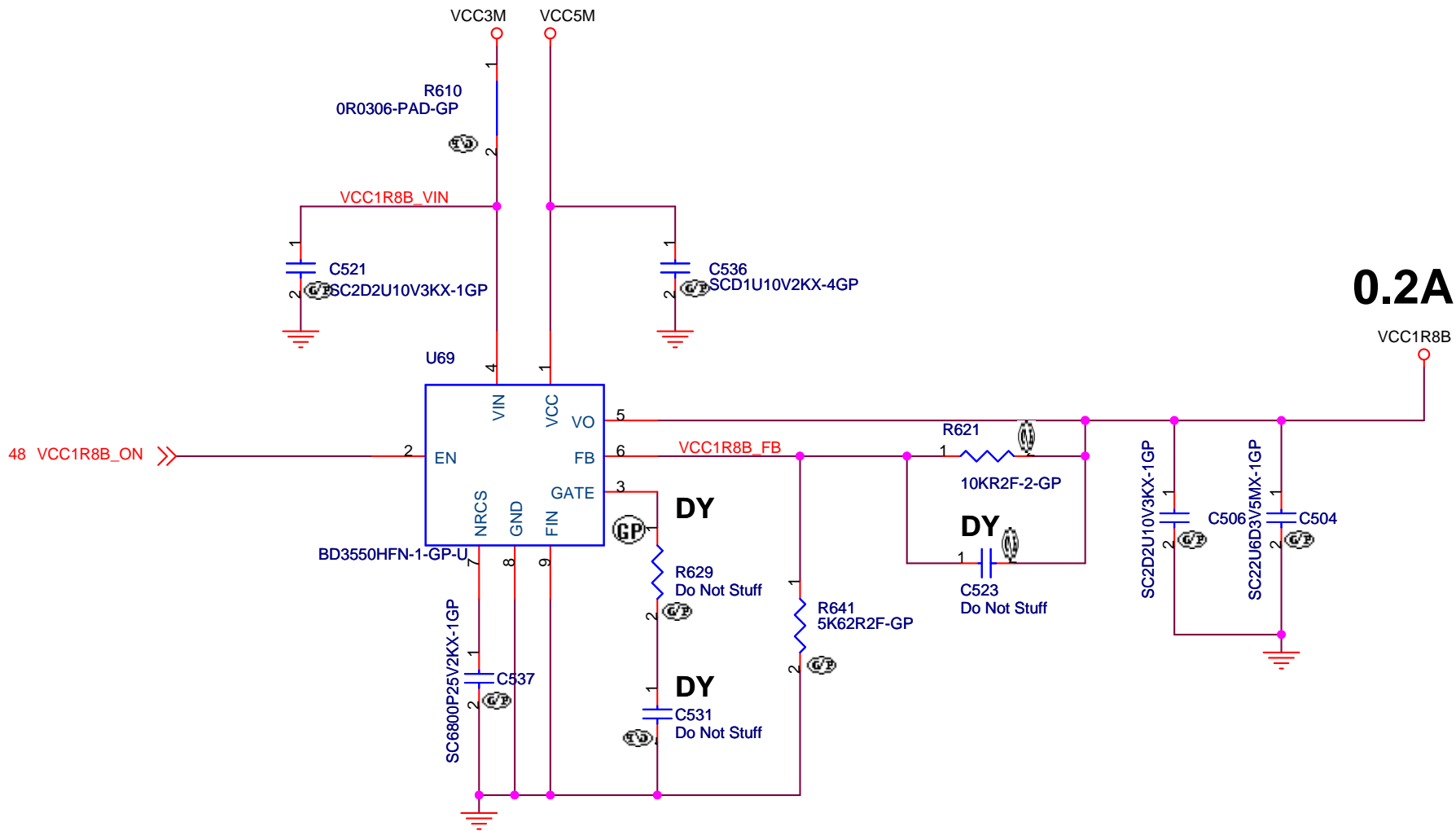


緯創資通 Wistron Corporation 21F, 88, Sec.1, Hsin Tai Wu Rd., Hsichih, Taipei Hsien 221, Taiwan, R.O.C.		
DC-DC VCC1R5A		
Title Size A3 Date: Thursday, May 08, 2008	Document Number Mocha-1 Sheet 53 of 62	Rev -1

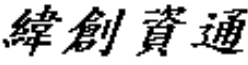


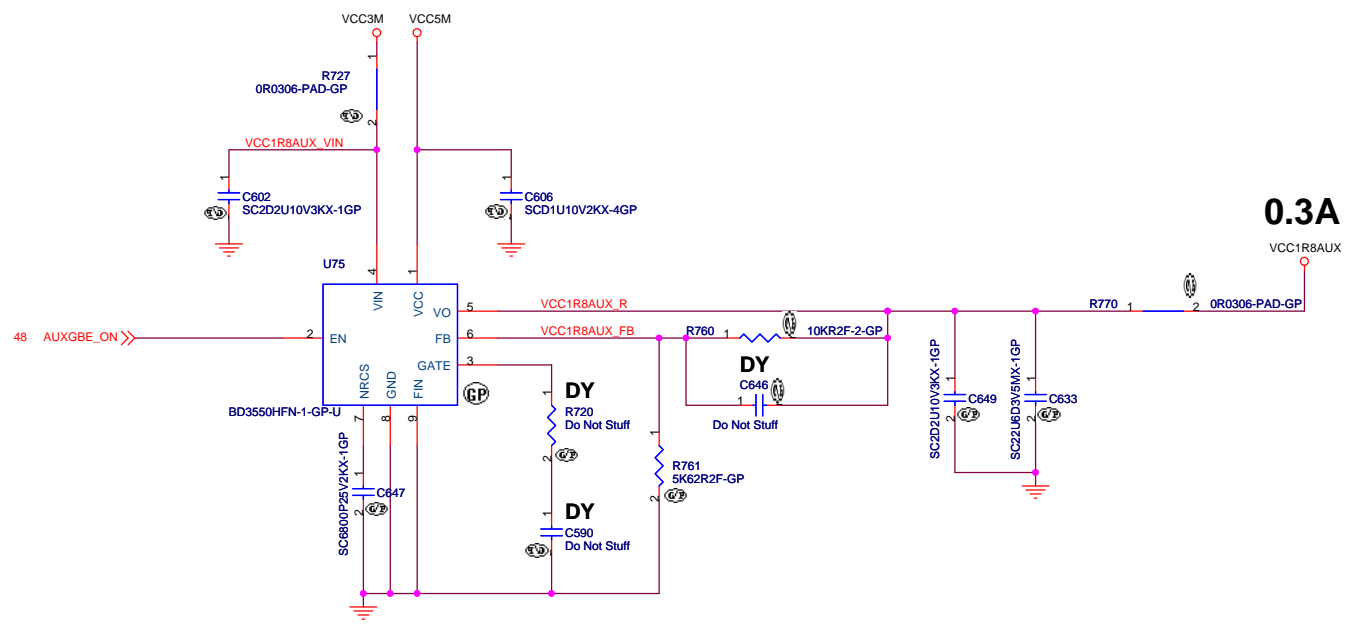
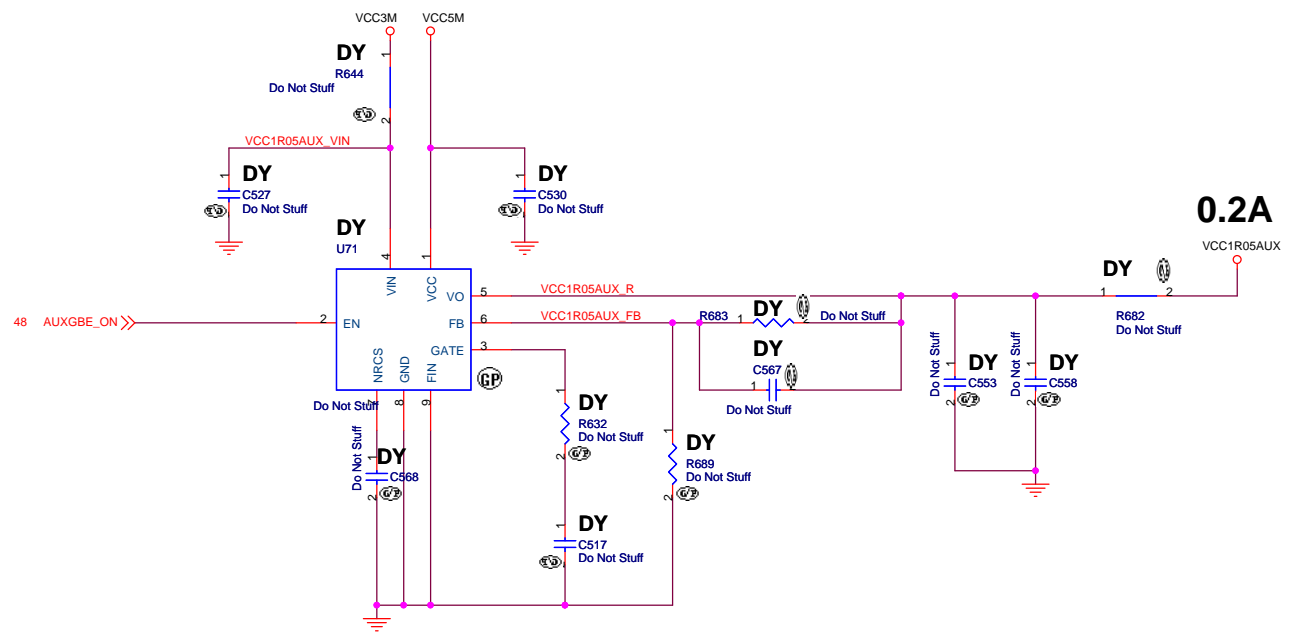
BOM

 Wistron Corporation 21F, 88, Sec.1, Hsin Tai Wu Rd., Hsichih, Taipei Hsien 221, Taiwan, R.O.C.	
Title DC-DC VCC0R75AMT	
Size A4	Document Number Mocha-1
Rev -1	
Date: Thursday, May 08, 2008	
Sheet 54 of 62	

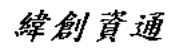


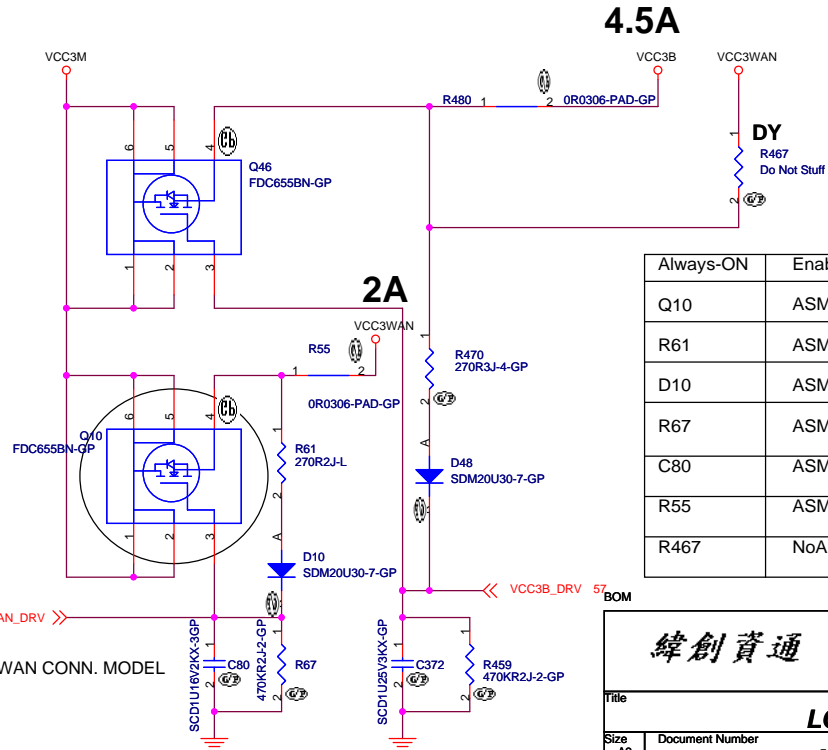
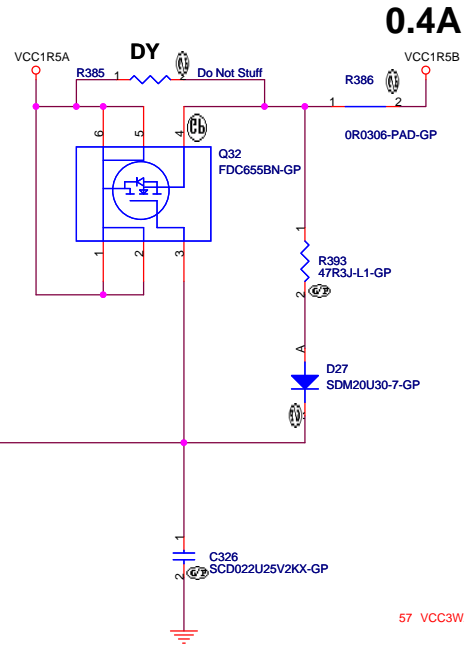
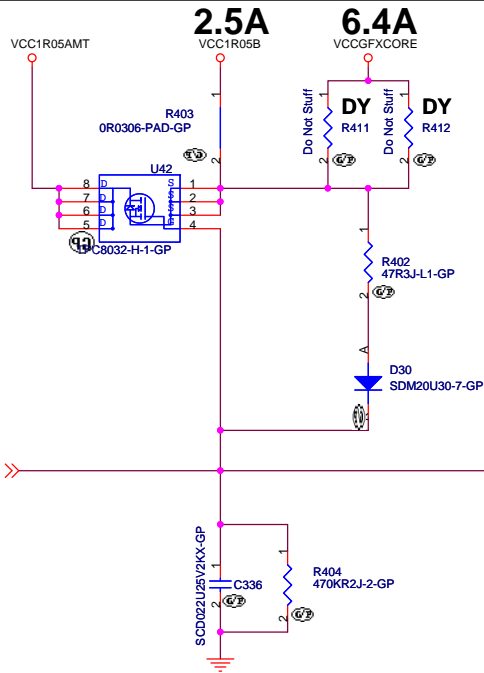
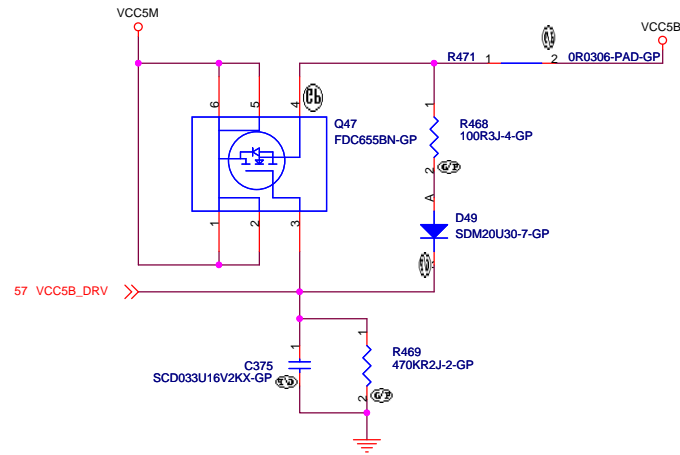
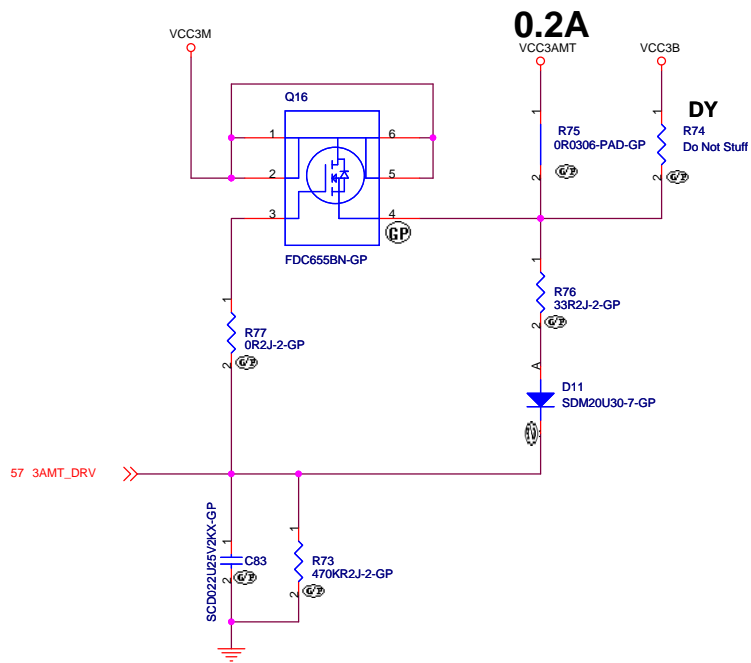
BOM

 Wistron Corporation 21F, 88, Sec.1, Hsin Tai Wu Rd., Hsichih, Taipei Hsien 221, Taiwan, R.O.C.	
DC-DC VCC1R8B	
Title Size A	Document Number Mocha-1
Date: Thursday, May 08, 2008	Rev -1
Sheet 55 of 62	



BOM

 Wistron Corporation 21F, 88, Sec.1, Hsin Tai Wu Rd., Hsichih, Taipei Hsien 221, Taiwan, R.O.C.		
DC-DC VCC1R05AUX/VCC1R8AUX		
Size A3	Document Number Mocha-1	Rev -1
Date: Thursday, May 08, 2008		Sheet 56 of 62



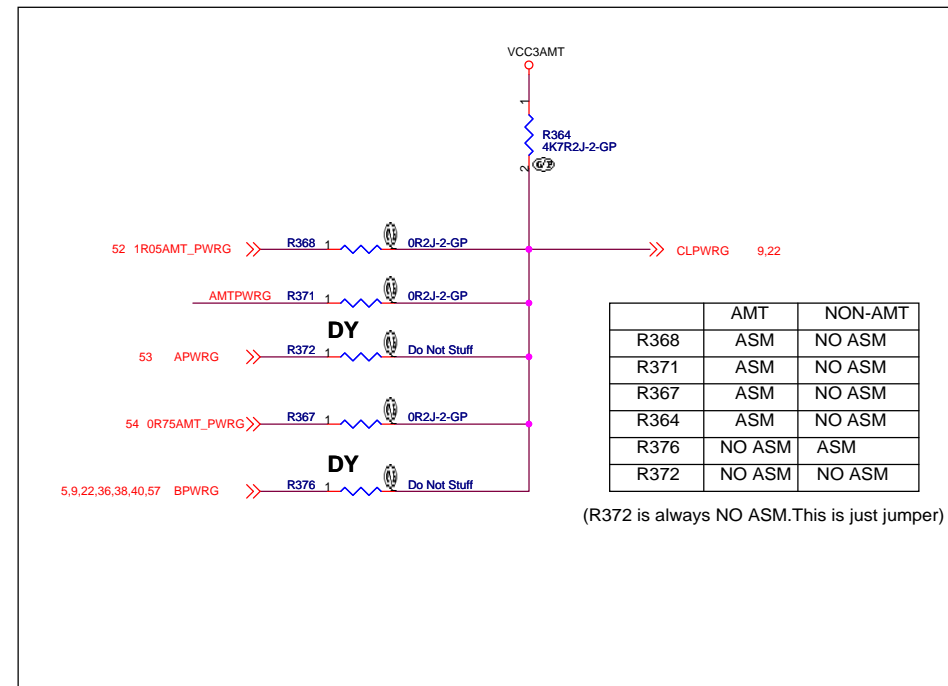
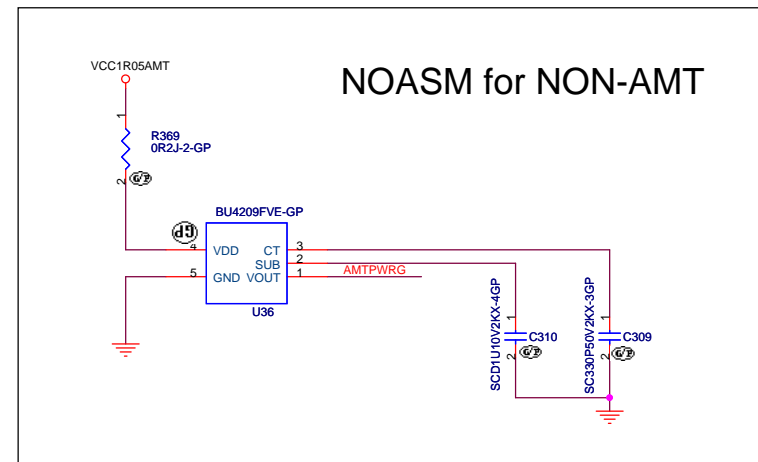
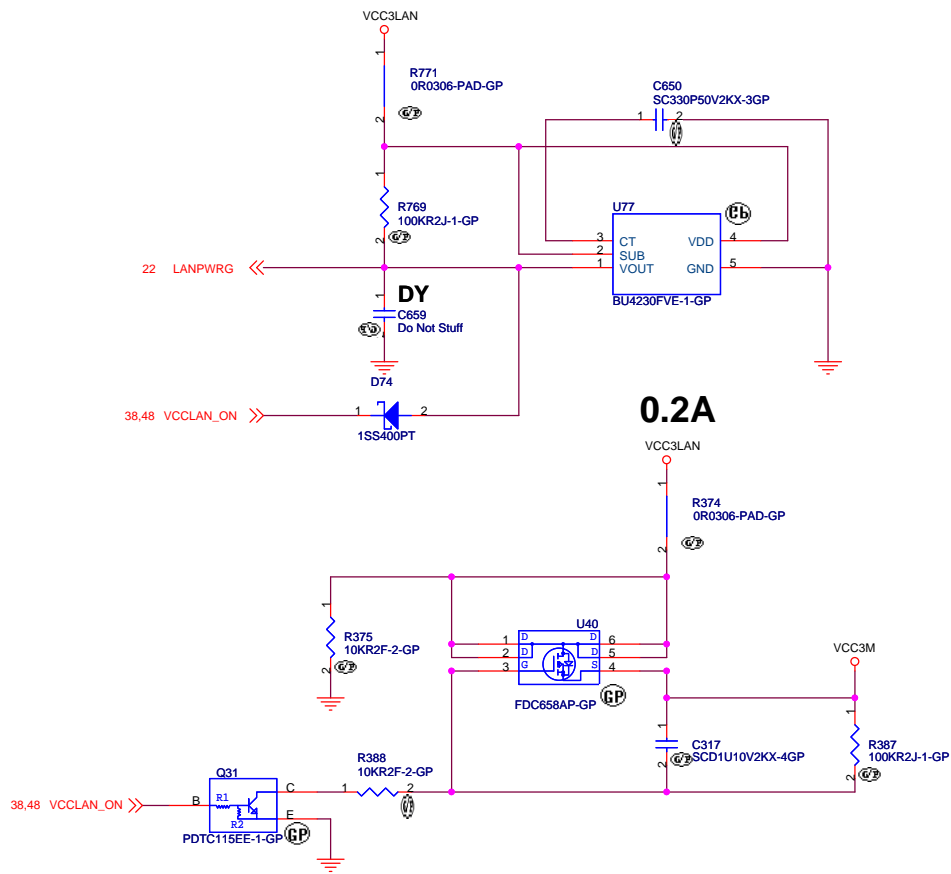
	Always-ON	Enable	Disable
Q10		ASM	NoASM
R61		ASM	NoASM
D10		ASM	NoASM
R67		ASM	NoASM
C80		ASM	NoASM
R55		ASM	NoASM
R467		NoASM	ASM

No-asm for no WWAN CONN. MODEL

BOM

緯創資通 Wistron Corporation
21F, 88, Sec.1, Hsin Tai WJ Rd., Hsichih,
Taipei Hsien 221, Taiwan, R.O.C.

Title		
LOAD SW 1		
Size	Document Number	Rev
A3		-1
Date:	Thursday, May 08, 2008	Sheet 58 of 62

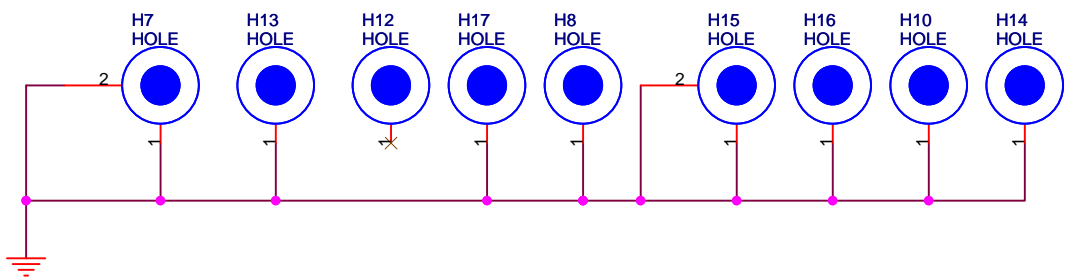
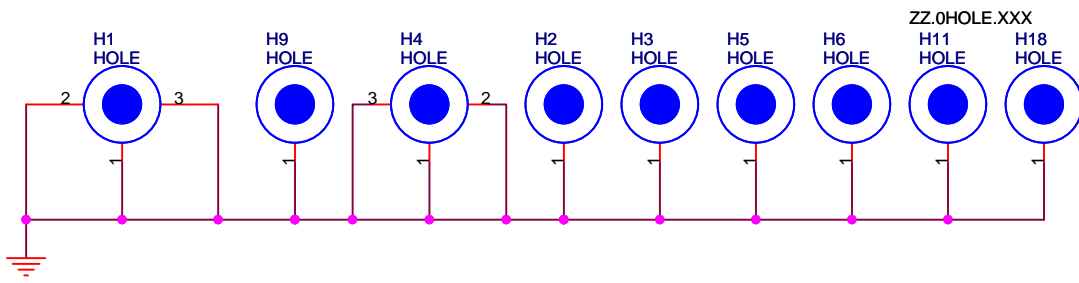


	AMT	NON-AMT
52 1R05AMT_PWrg >> R368 1 0R2J-2-GP >> CLPWrg 9,22	ASM	NO ASM
AMTPWrg >> R371 1 0R2J-2-GP >>	ASM	NO ASM
53 APWrg >> R372 1 Do Not Stuff >>	NO ASM	ASM
54 0R75AMT_PWrg >> R367 1 0R2J-2-GP >>	NO ASM	ASM
5,9,22,36,38,40,57 BPWrg >> R376 1 Do Not Stuff >>	NO ASM	NO ASM

(R372 is always NO ASM. This is just jumper)

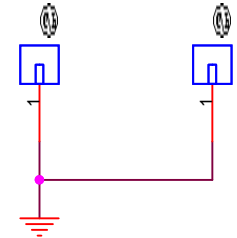
BOM

		Wistron Corporation 21F, 88, Sec.1, Hsin Tai WJ Rd., Hsichih, Taipei Hsien 221, Taiwan, R.O.C.	
LOAD SW 2			
Size A3	Document Number Mocha-1	Rev -1	
Date: Thursday, May 08, 2008		Sheet	59 of 62



GND1
SPRING-9-GP
34.49U23.001

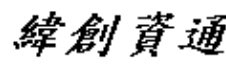
GND2
SPRING-9-GP
34.49U23.001



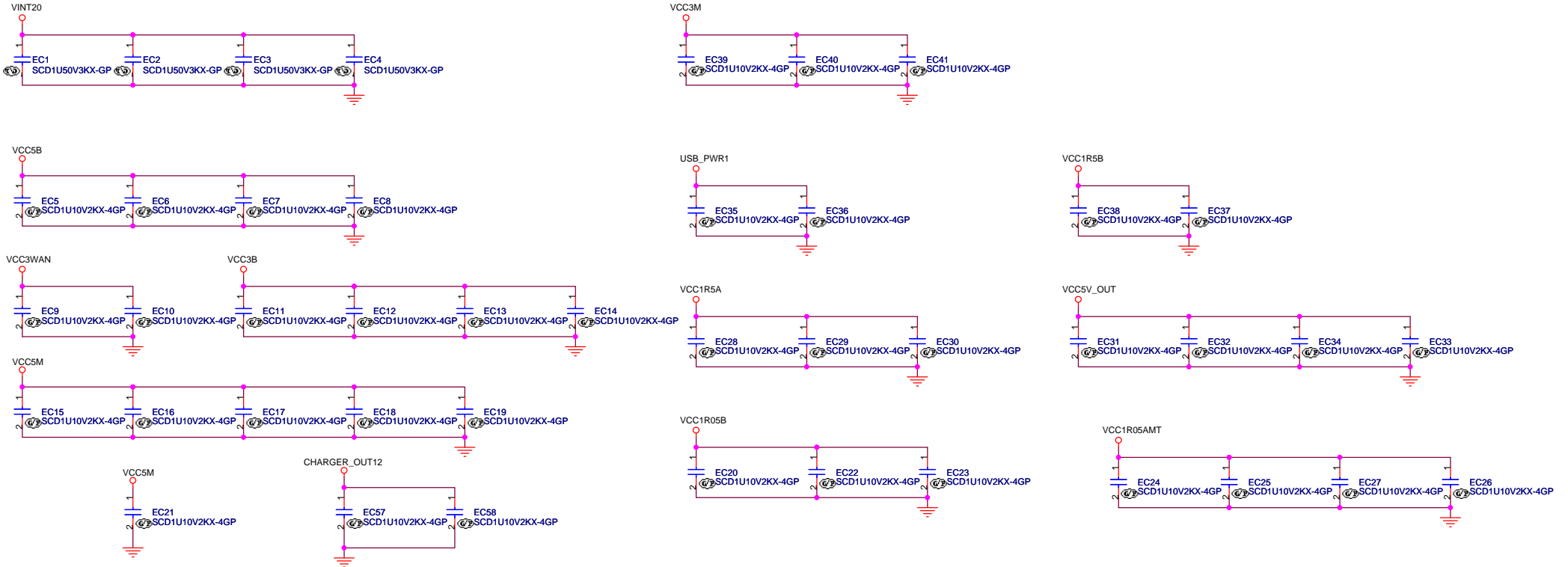
K3
SPRING-49-GP
34.49U25.001



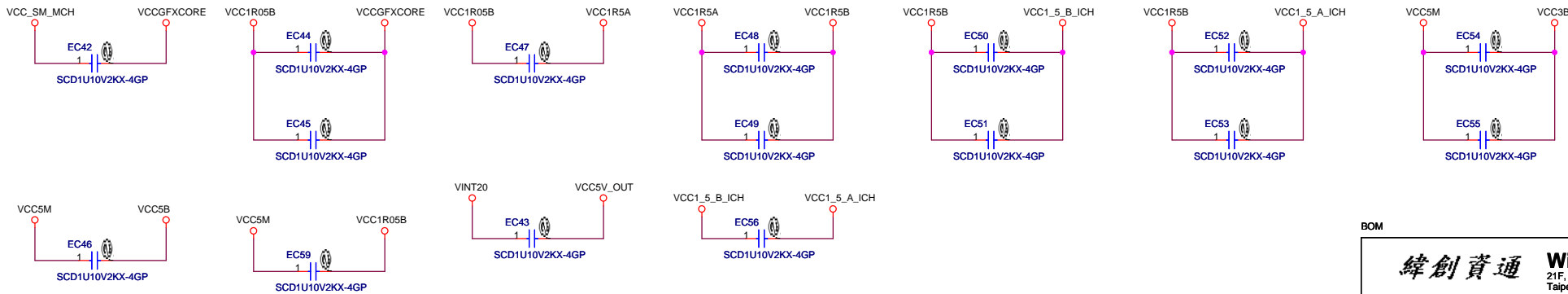
BOM

 Wistron Corporation 21F, 88, Sec.1, Hsin Tai Wu Rd., Hsichih, Taipei Hsien 221, Taiwan, R.O.C.		
HOLES/GND/PADS		
Size A4	Document Number Mocha-1	Rev -1
Date: Thursday, May 08, 2008		Sheet 60 of 62

Long power trace EMI decoupling caps



Power Moat EMI decoupling caps



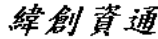
BOM

<p>緯創資通 Wistron Corporation 21F, 88, Sec.1, Hsin Tai Wu Rd., Hsichih, Taipei Hsien 221, Taiwan, R.O.C.</p>	
<p>Title EMI DECOUPLING</p>	
Size A3	Document Number Mocha-1
Date: Thursday, May 08, 2008	Sheet 61 of 62
	Rev -1

Comparison chart for Always On function

Item	Page	Location Netname	AMT	NON_AMT	Modify	Note
------	------	---------------------	-----	---------	--------	------

BOM

 Wistron Corporation 21F, 88, Sec.1, Hsin Tai Wu Rd., Hsichih, Taipei Hsien 221, Taiwan, R.O.C.	
Title	
AMT FUNCTION CONTROL TABLE	
Size A3	Document Number Mocha-1
Date: Thursday, May 08, 2008	Rev -1
Date: Thursday, May 08, 2008 Sheet 62 of 62	