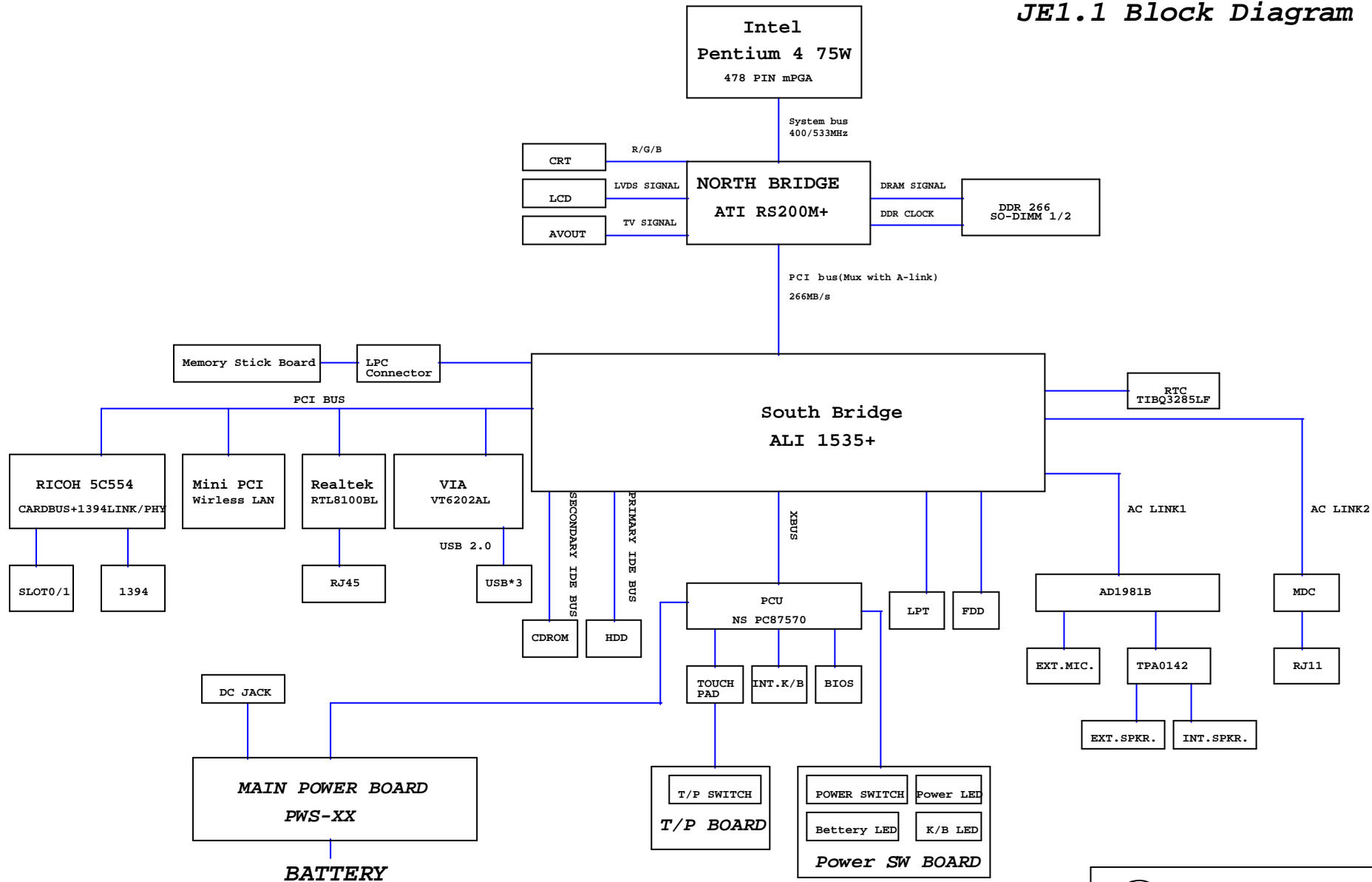



JE1.1 Block Diagram



 <b>QUANTA COMPUTER</b>		Size	Document Number	Rev
			<b>JE1.1 Main Board</b>	<b>3A</b>
Date:	Sunday, April 06, 2003	Sheet	1 of 30	

# Page List

01 Block Diagram  
02 Page List  
03 Northwood CPU-1  
04 Northwood CPU-2  
05 RS200M-AGTL+

---

06 RS200M-DDR I/F  
07 RS200M-PCI & AGP I/F  
08 RS200M-VIDEO I/F & CLKGEN  
09 SYSTEM CONFIGURATION  
10 DDR Terminator

---

11 DDR SODIMMx2  
12 CRT PORT/TV  
13 ALI M1535+ (PCI,ISA)-1/2  
14 ALI M1535+ (USB,IDE,FDD)-2/2  
15 USB2.0 Controller (VT6202A)

---

16 Ricoh R5C554  
17 Cardbus slot  
18 LAN interface RTL8100B  
19 Mini PCI & MDC  
20 Audio CODEC

---

21 Audio AMP & Int. Speaker  
22 RTC/POWER GOOD LOGIC  
23 IDE/HDD/LPT Connector  
24 PCU NS 87570  
25 Int. Keyboard/Bios/FAN

---

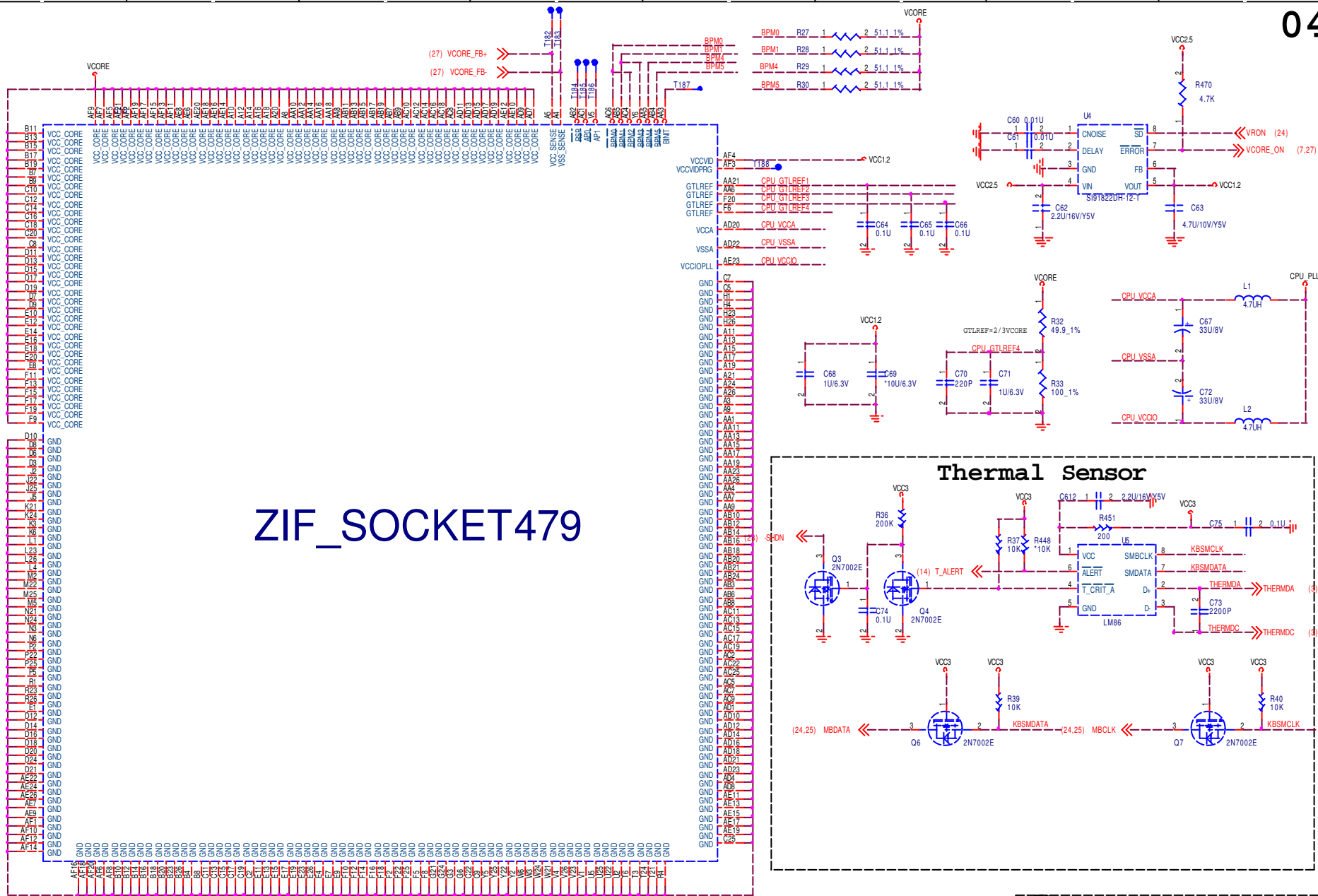
26 HIP6301(Vcc\_core power)  
27 Max1632  
28 DDR / 1.8V Power  
29 Load Switch



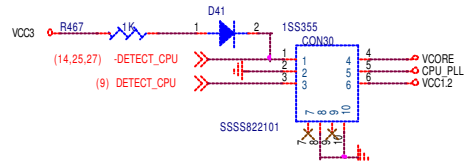
Title		
<b>COVER PAGE</b>		
Size	Document Number	Rev
B	JE1.1 Main Board	1A
Date:	Thursday, April 24, 2003	Sheet 2 of 30



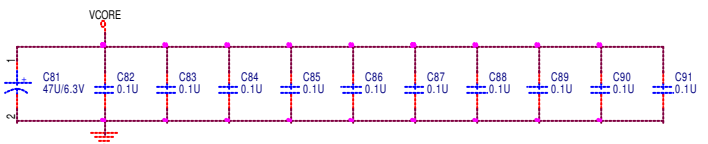
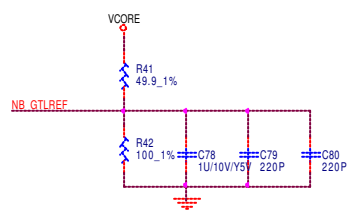
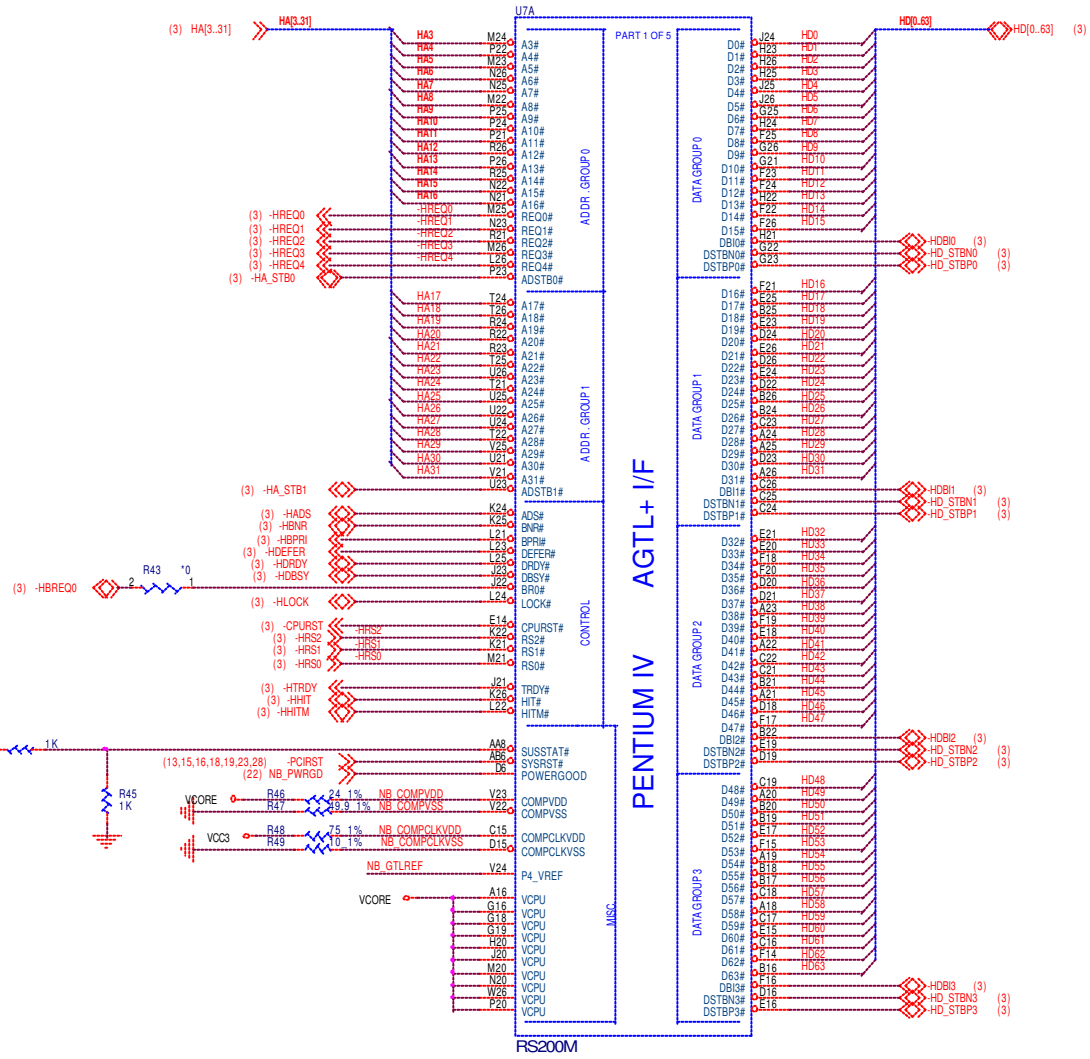
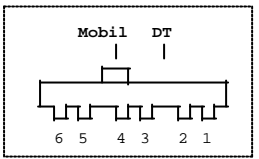
# ZIF\_SOCKET479



Title: **CPU Socket -2/2- Power & Ground**  
 Size: B Document Number: **JE1.1 Main Board** Rev: 1A  
 Date: Thursday, April 24, 2003 Sheet: 4 of 30



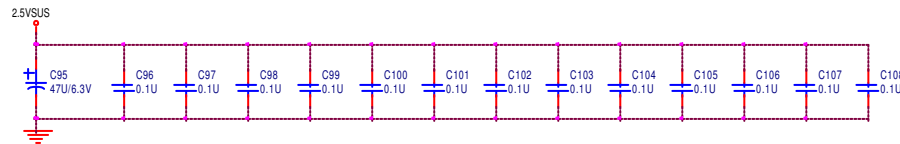
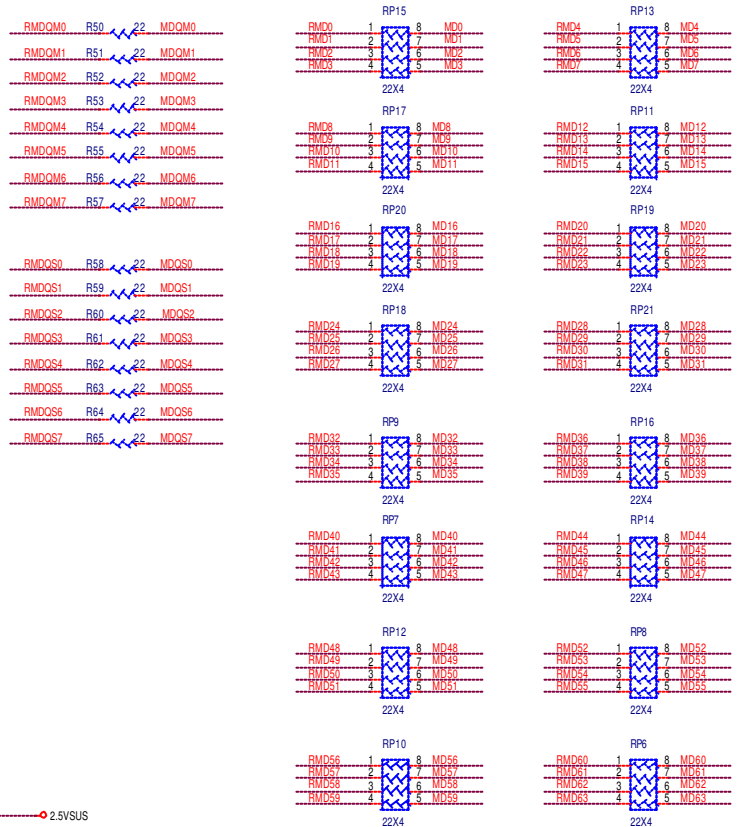
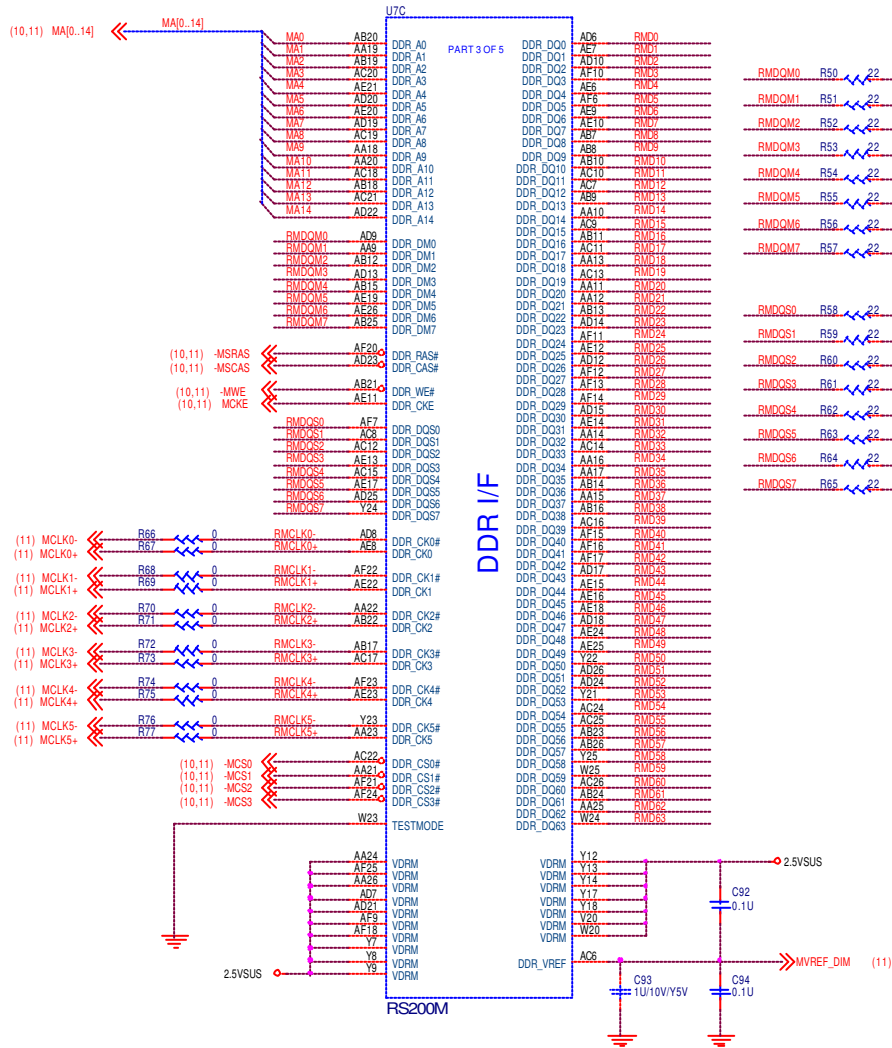
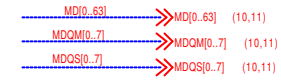
	JUMPER	-DETECT_CPU	DETECT_CPU
DESKTOP	1-2 & 4-5	0	1
MOBIL	2-3 & 5-6	1	0



**RS200M 1/4**  
 JE1.1 Main Board  
 Rev 2A

# ATI\_RS200M+ - 2 ( DDR Interface )

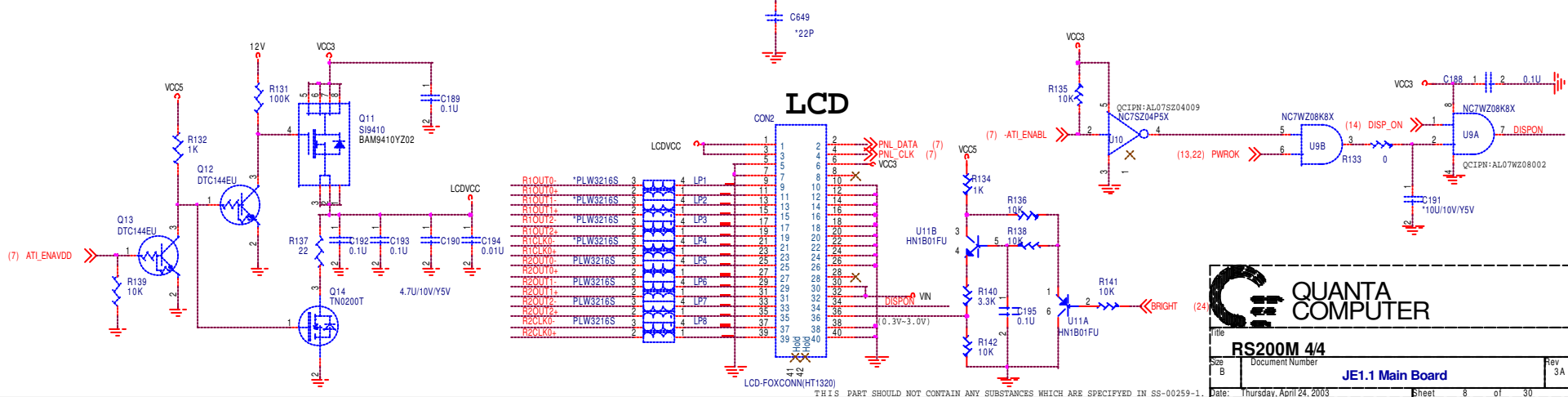
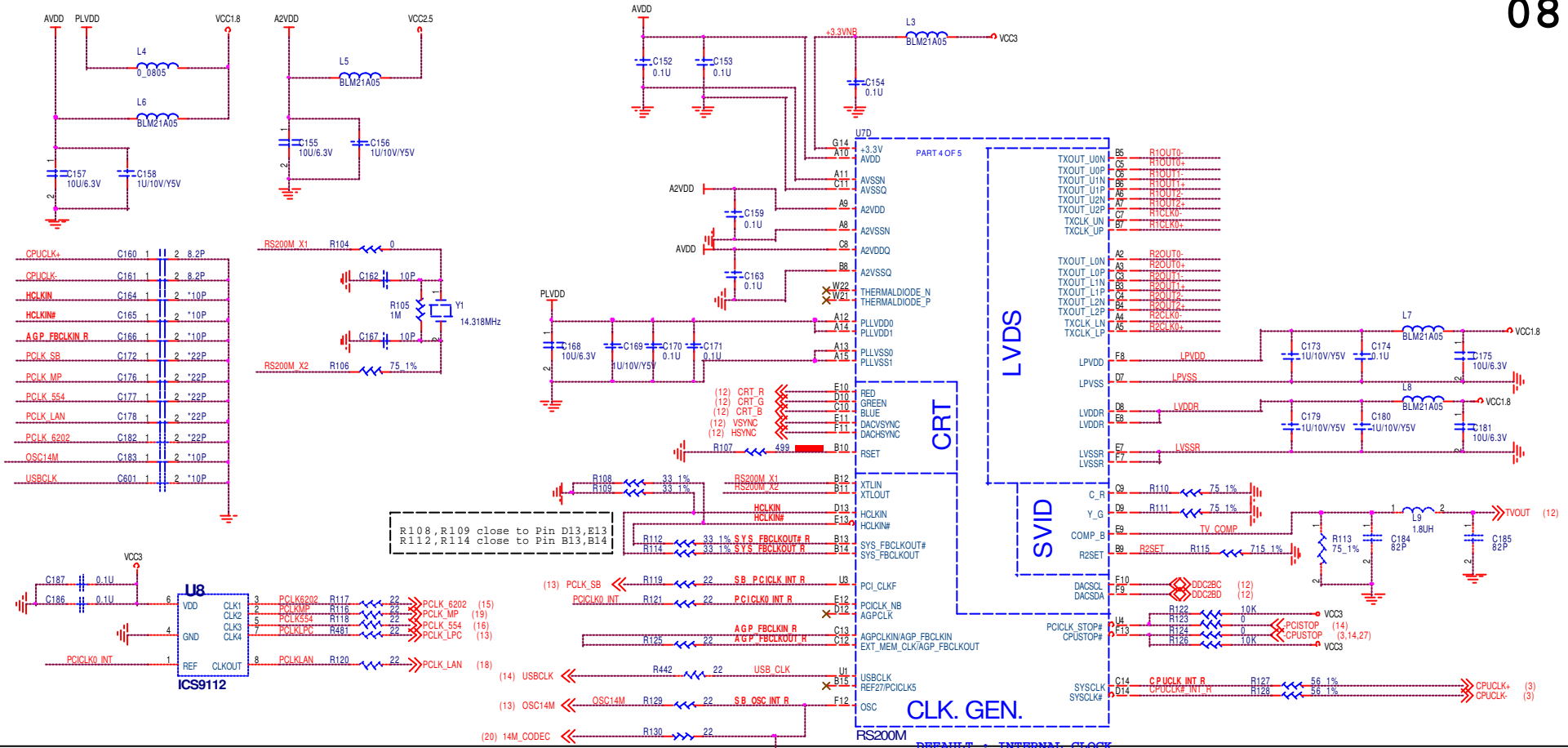
06



**QUANTA COMPUTER**  
 Title: **RS200M 2/4**  
 Size: B Document Number: **JE1.1 Main Board** Rev: 1A  
 Date: Thursday, April 24, 2003 Sheet: 6 of 30







**QUANTA COMPUTER**

**RS200M 4/4**

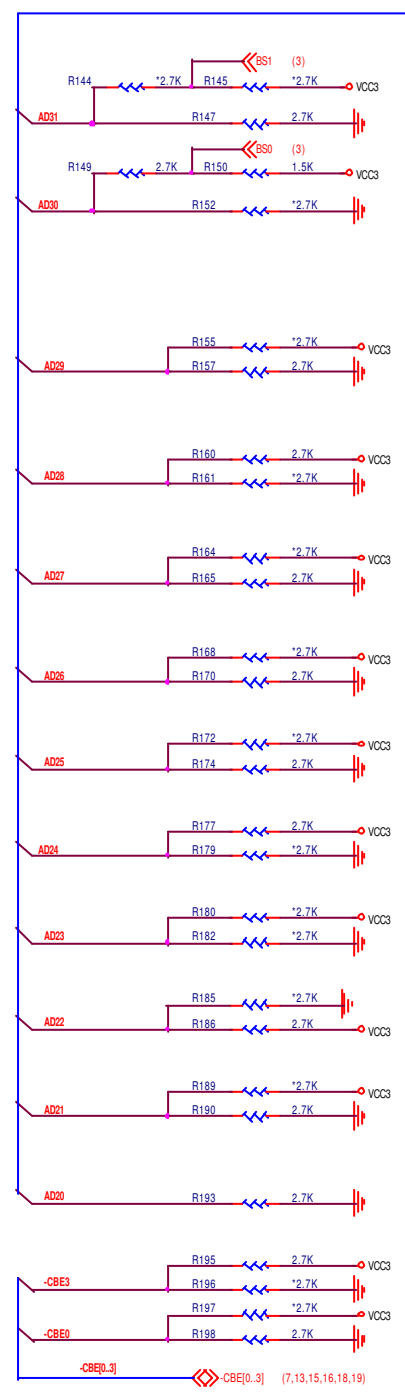
JE1.1 Main Board

Rev 3A

Date: Thursday, April 24, 2003

Sheet 8 of 30





**AD[31..30] : CLK SPEED**  
 DEFAULT: 00  
 00: 100 MHZ  
 01: 133 MHZ  
 10: 166 MHZ  
 11: 66 MHZ

**AD29 : RS200M FULL CON FIGURATION**  
 DEFAULT: 1  
 0: FULL CO NFIGURATION  
 1: USES DEFAULT VALUES

**AD28 : SPREAD SP ECTRUM ENABLE**  
 DEFAULT: 1  
 0: DISABLE  
 1: ENABLE

**AD27 : MCERR O BSERVATION**  
 DEFAULT: 0  
 0: ENABLE  
 1: DISABLE

**AD26 : BUS PARKING**  
 DEFAULT: 0  
 0: ENABLE  
 1: DISABLE

**AD25 : BINIT# OBSERVATION**  
 DEFAULT: 0  
 0: ENABLE  
 1: DISABLE

**AD24 : IOQ ENABLE**  
 DEFAULT: 1  
 0: SET IOQ TO 1  
 1: S ET IOQ TO 12

**AD23 : RESERVED**

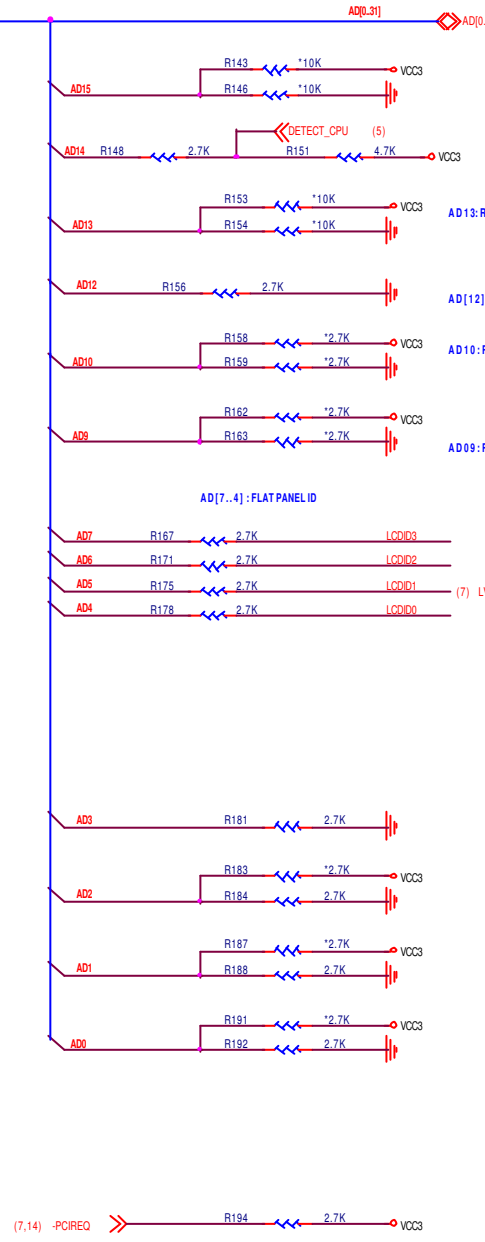
**AD22 : REF27 ENABLE**  
 DEFAULT: 1  
 0: PCI CLK5 OUTPUT  
 1: 27 MHz REFERENCE CL OCK INPUT

**AD21 : CLK\_ BYPASS (TEST ONLY)**  
 DEFAULT: 0  
 0: NORMAL  
 1: TEST MODE

**AD20 : PCI CLK EXPANSION**  
 DEFAULT: 0  
 1: PCI\_ REQ#3, PCI\_ GNT#3 USED AS PCICLK  
 0: PCI\_ REQ#3, PCI\_ GNT#3 USED AS REQ#GT

**CBE#3 : PROD TEST**  
 DEFAULT: 1  
 0: SHORT TIMERS  
 1: NORMAL OPERATION

**CBE #0: RESERVE**



**AD15 : RESERVED**

**AD14 : AGTL+ VDDQ**  
 0: 1.2V MOBILE PART  
 1: 1.7V DESKTOP PART

**AD13: RESERVED**

**AD[12] : FL AT PANEL ID MSB**

**AD10: RESERVED**

**AD9: RESERVED**

**AD[7..4] : FLAT PANEL ID**

**AD7** R167 2.7K LCDID3

**AD6** R171 2.7K LCDID2

**AD5** R175 2.7K LCDID1

**AD4** R178 2.7K LCDID0

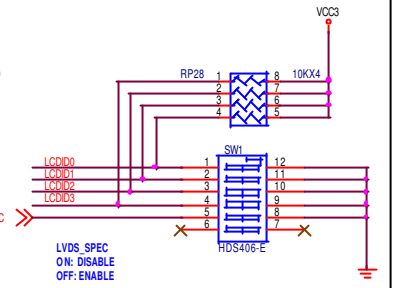
**AD3 : A LINK ENABLE**  
 DEFAULT: 0  
 0: PCI\_ 33MHz, MULTI POINT CONNECTION  
 1: A LINK POINT TO POINT INTERCONNECT

**AD2 : AUTO CALIBRATION ENABLE**  
 DEFAULT: 0  
 0: AUTO CALIBRATION ENABLE  
 1: AUTO CALIBRATION DISABLE

**AD1 : FrShortReset**  
 DEFAULT: 0  
 0: NORMAL OPERATION  
 1: TEST MODE

**AD0 : PCI / AGP CONFIG.**  
 DEFAULT: 1  
 1: 66 MHz  
 0: 33 MHz

**PCI\_PREQACT# : INTERNAL CLOCK GEN.**  
 DEFAULT: 1  
 0: DISABLE  
 1: ENABLE



**QUANTA COMPUTER**

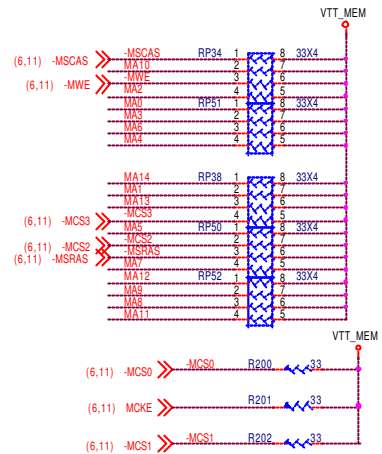
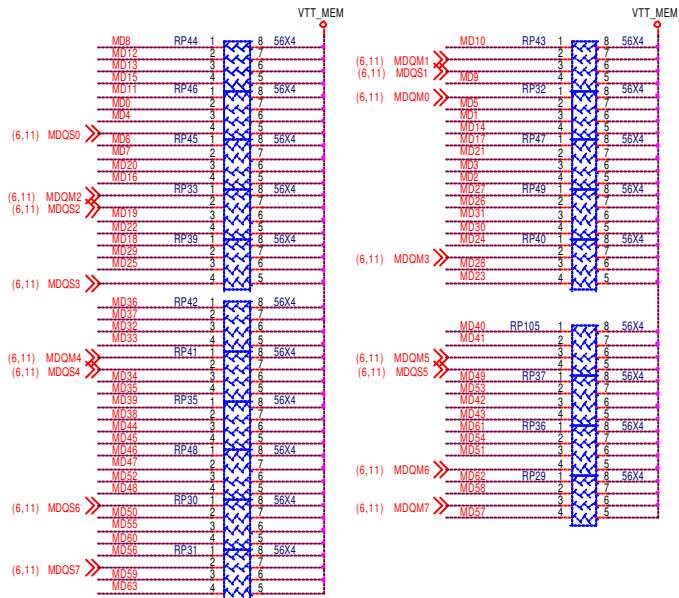
File: **SYSTEM CONFIG**

Size	Document Number	Rev
B	<b>JE1.1 Main Board</b>	1A

THIS PART SHOULD NOT CONTAIN ANY SUBSTANCES WHICH ARE SPECIFIED IN SS-00259-1. Date: Thursday, April 24, 2003 Sheet 9 of 30

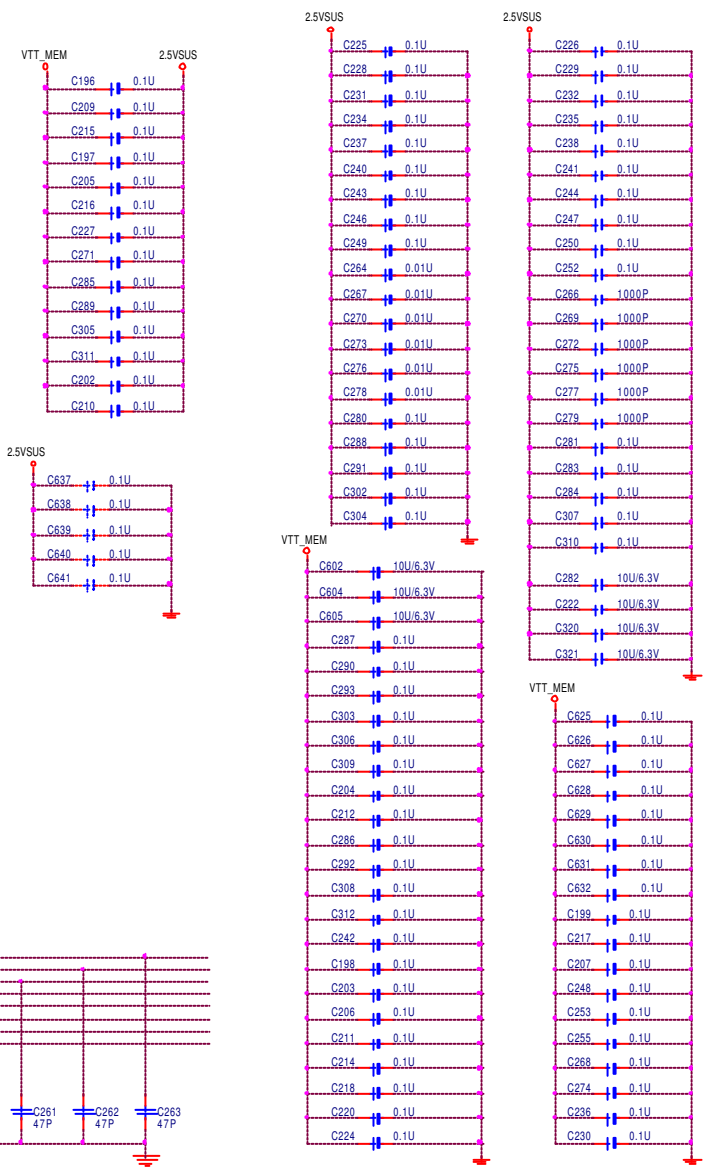
# DDR TERMINATOR MD Terminator

(6.11) MD[0..63] >> MD[0..63]  
 (6.11) MA[0..14] >> MA[0..14]

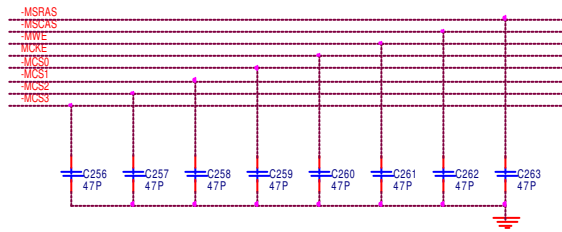
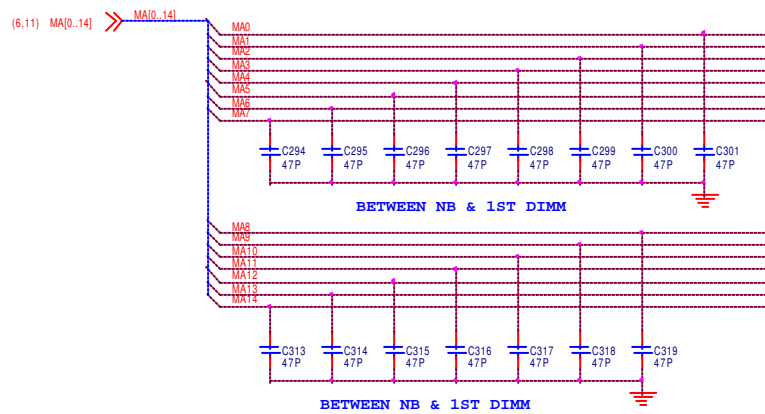


# DQM Terminator

10



# MA Terminator



**QUANTA COMPUTER**

File: **Memory -1/2- Terminator**

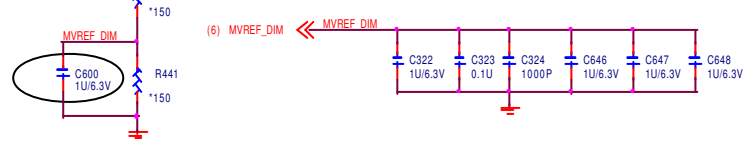
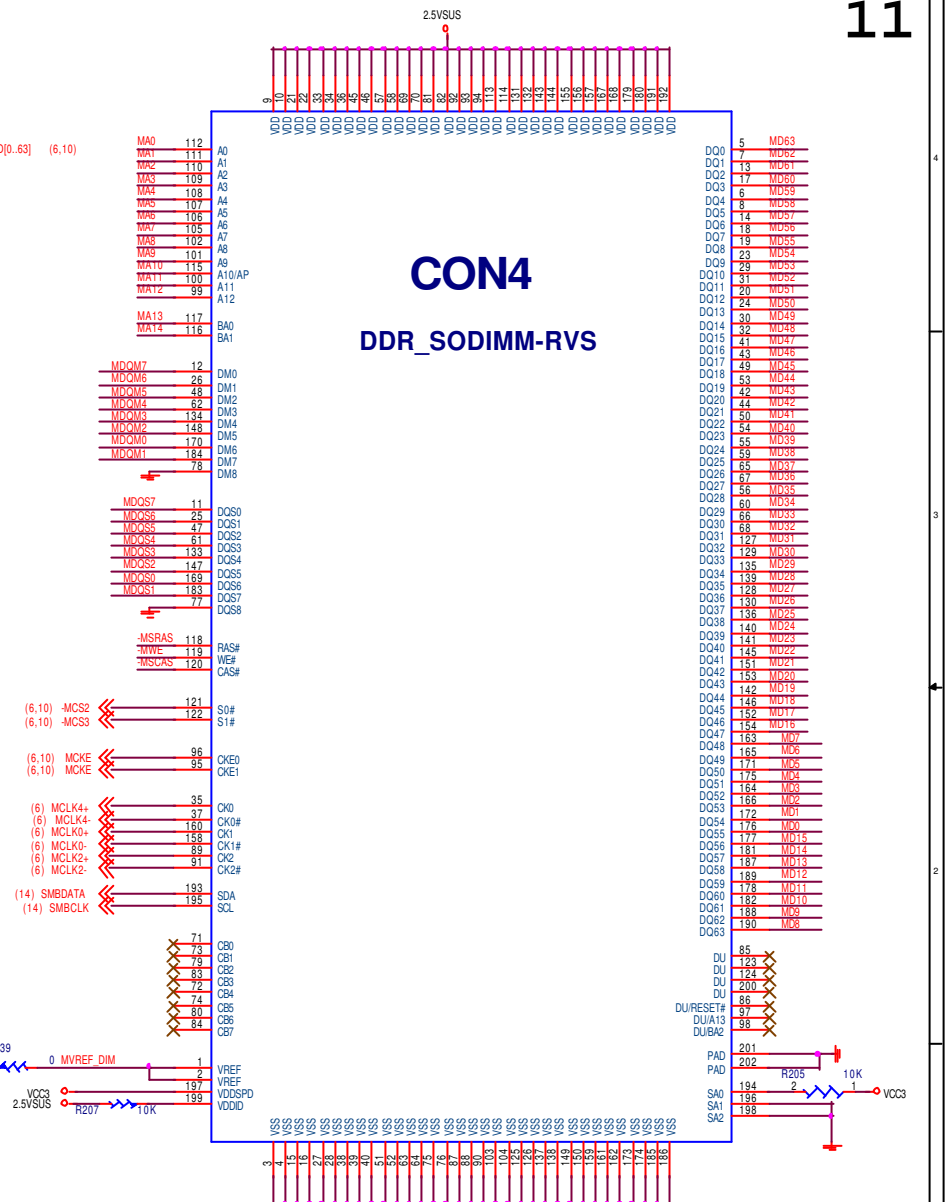
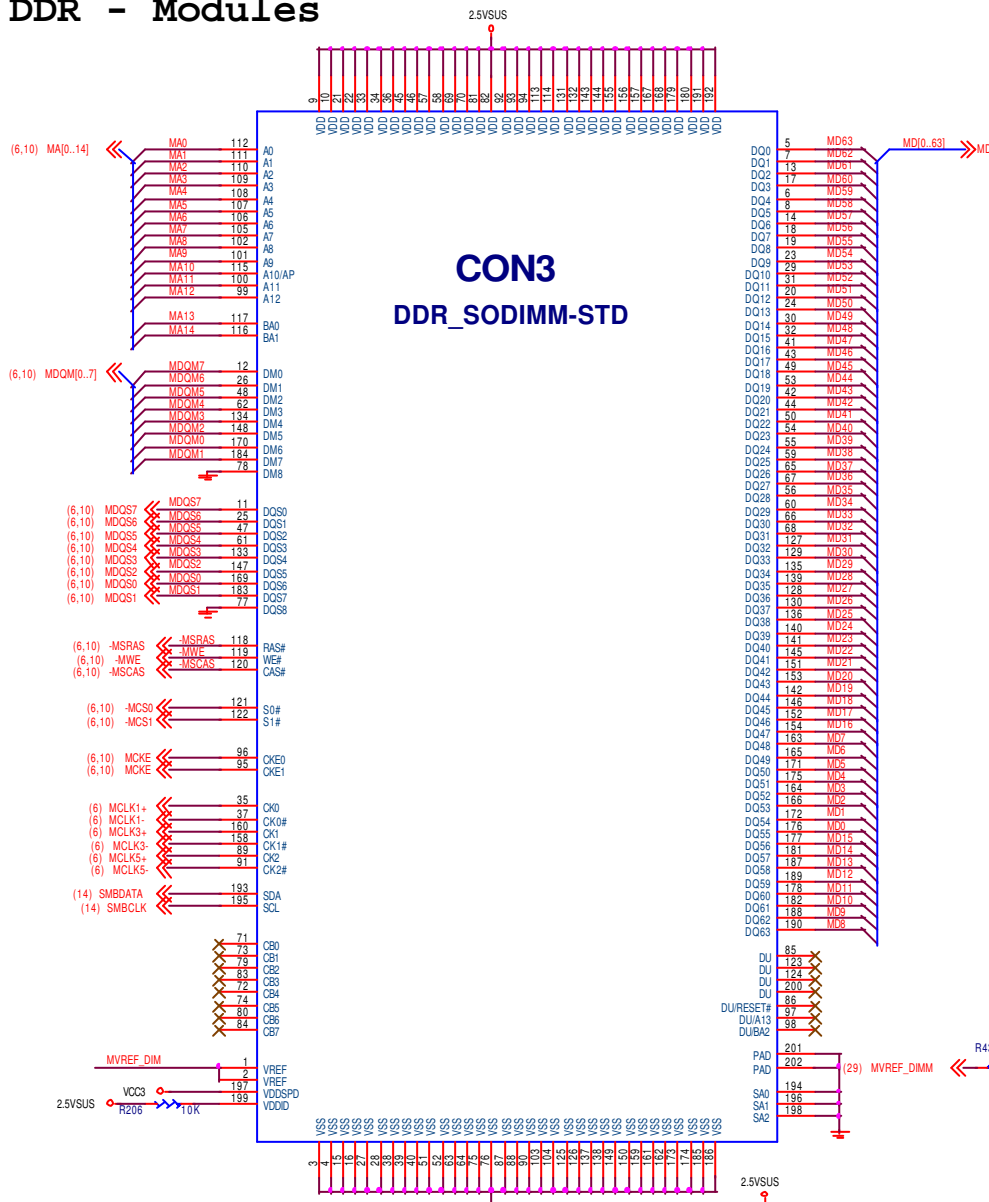
Doc Number: **JE1.1 Main Board**

Rev: **2A**

# DDR - Modules

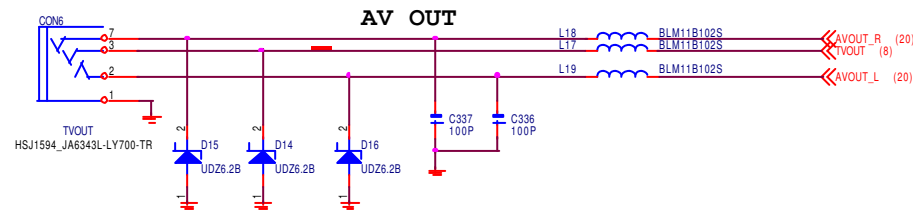
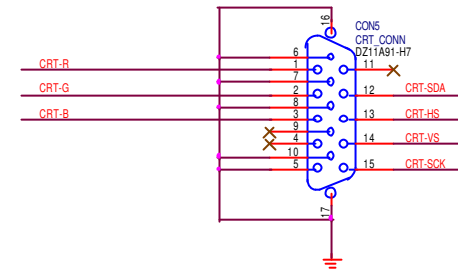
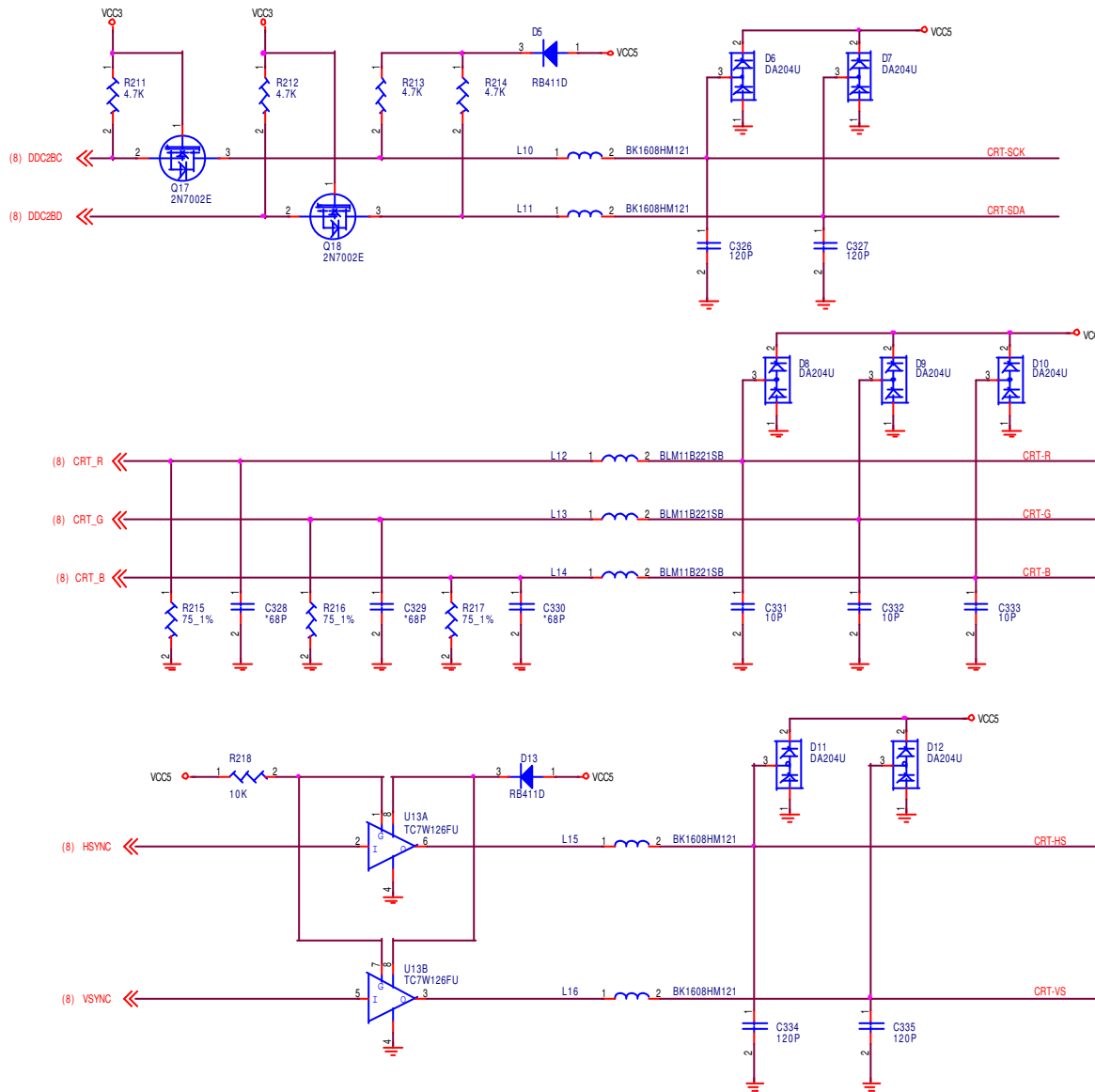
## CON3 DDR\_SODIMM-STD

## CON4 DDR\_SODIMM-RVS

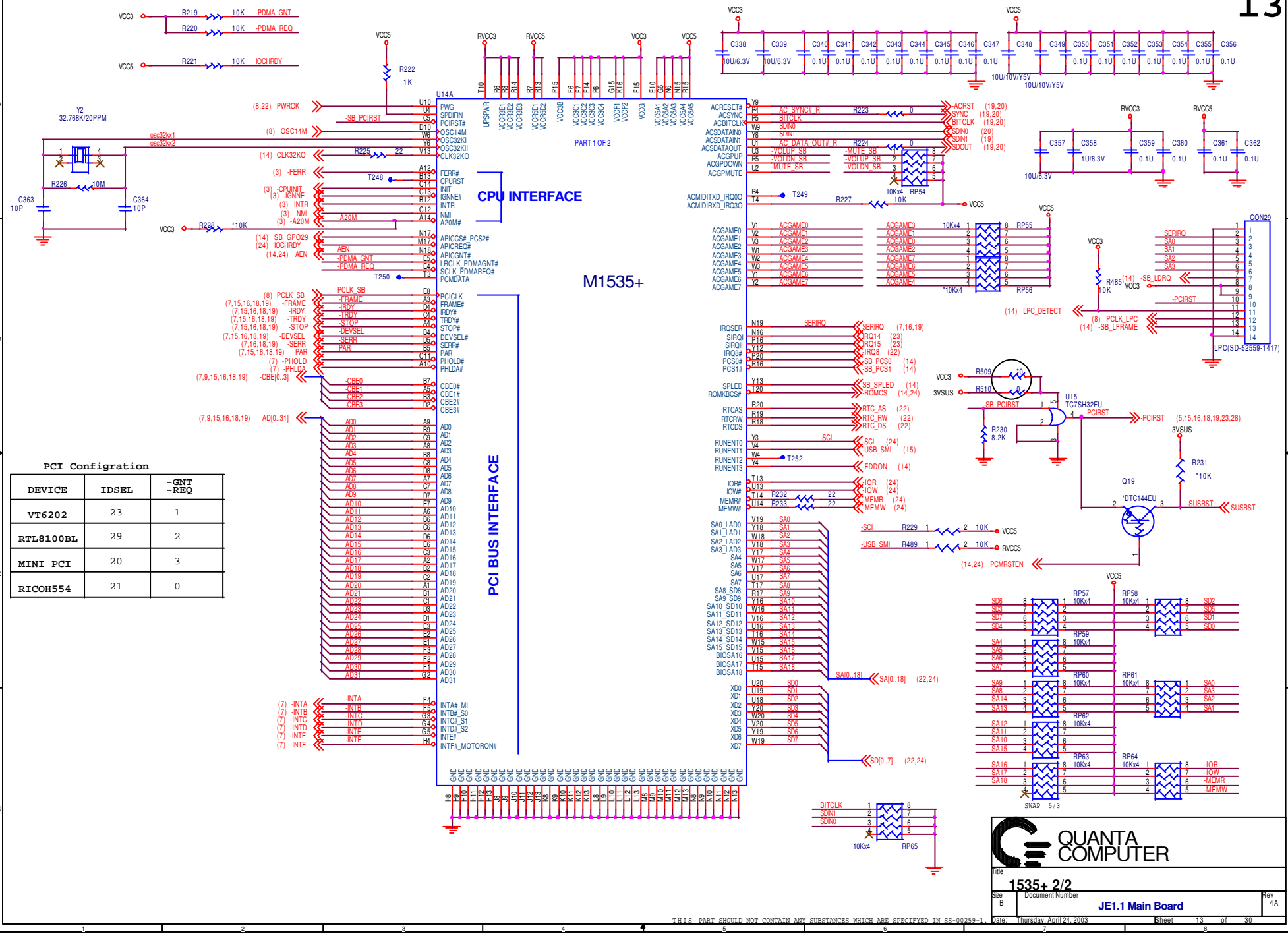


Memory - 2/2-SODIMM

Doc No	Document Number	Rev	4A
JE1.1 Main Board		Sheet	11 of 30



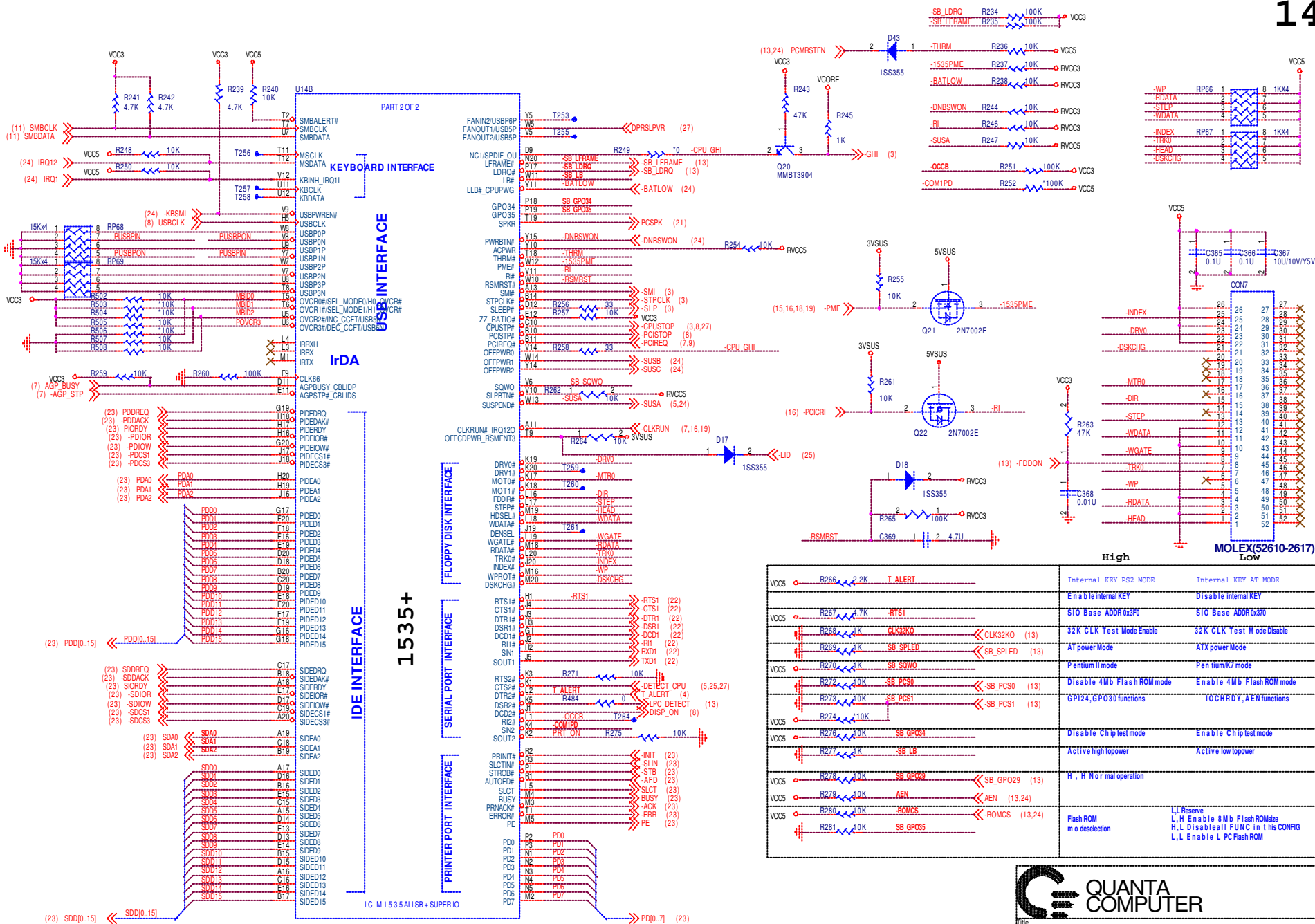
Title		CRT PORT/TV	
Size	Document Number	JE1.1 Main Board	
B		Rev	2A



PCI Configuration

DEVICE	IDSEL	-GNT -REQ
VT6202	23	1
RTL8100BL	29	2
MINI PCI	20	3
RICOH554	21	0





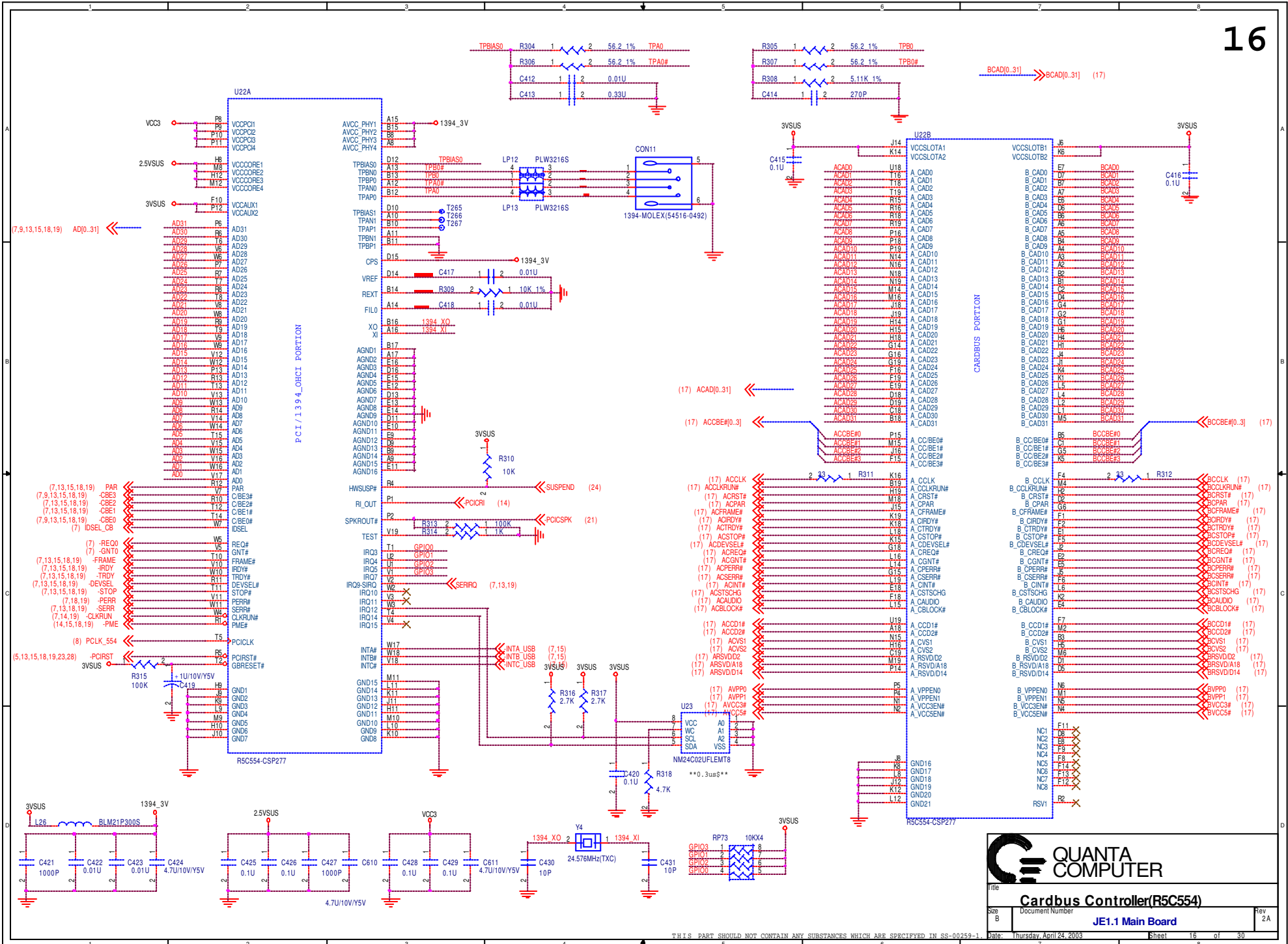
High	Low	
VCC3 - R266 2.2K T_ALERT	Internal KEY PS2 MODE Enable internal KEY	Internal KEY AT MODE Disable internal KEY
VCC3 - R267 4.7K -RTS1	STIO Base ADDR 0x3F0	STIO Base ADDR 0x370
R268 2K CLK32K0 << CLK32K0 (13)	32K CLK Test Mode Enable	32K CLK Test M ode Disable
R269 4K SB_SPLD << SB_SPLD (13)	ATX power Mode	
VCC3 - R270 4K SB_SQW0	Pentium II mode	Pentium/K7 mode
R272 4K SB_PCS1 << SB_PCS0 (13)	Disable 4Mb Flash ROM mode	Enable 4Mb Flash ROM mode
R273 4K SB_PCS1 << SB_PCS1 (13)	GPI24,GPO30 functions	IOCHRDY,AEN functions
VCC3 - R274 10K	Disable Chip test mode	Enable Chip test mode
VCC3 - R276 10K SB_GPO4		
R277 2K SB_LB	Active high topower	Active low topower
VCC3 - R278 10K SB_GPO29 << SB_GPO29 (13)		H , H Nor mal operation
VCC3 - R279 10K AEN << AEN (13,24)		
VCC3 - R280 10K -ROMCS << -ROMCS (13,24)	Flash ROM m o deselection	LL Reserve L,H Enable 8Mb FlashROMbits H,L Disable! FUNC in ths CONFIG L,L Enable L PCFlashROM
R281 10K SB_GPO35		



1535+ 2/2  
 JE1.1 Main Board  
 Rev 3A







**QUANTA COMPUTER**

File: **Cardbus Controller(R5C554)**

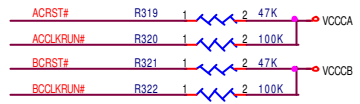
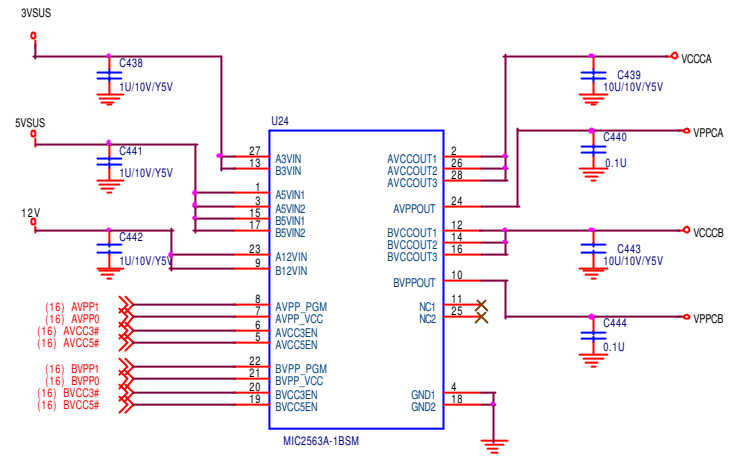
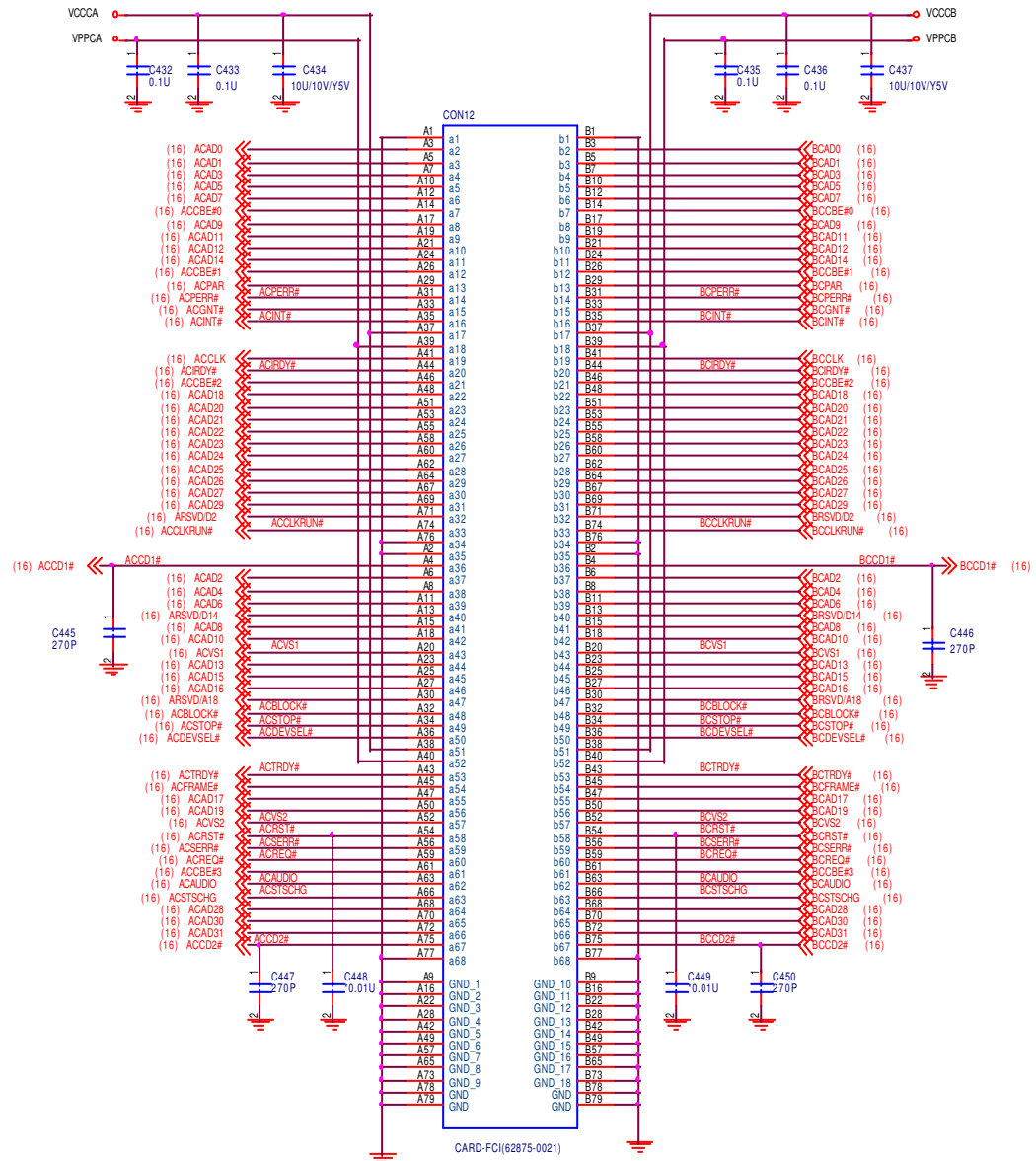
Doc Number: **JE1.1 Main Board**

Rev: **2A**

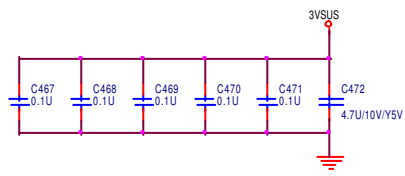
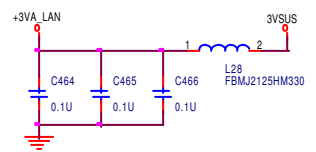
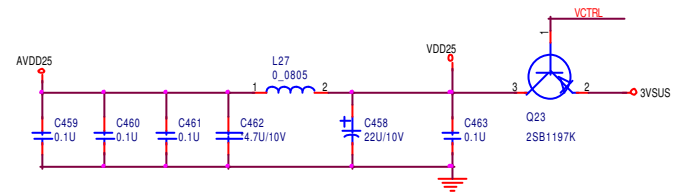
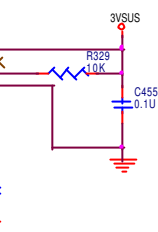
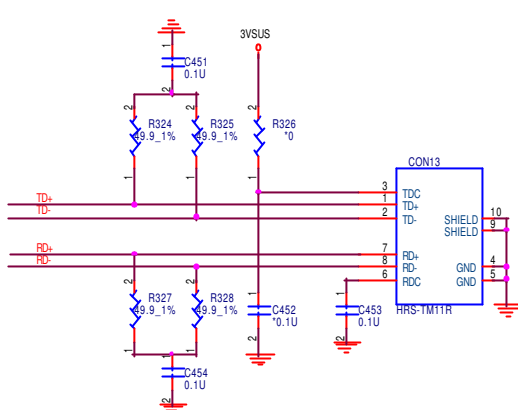
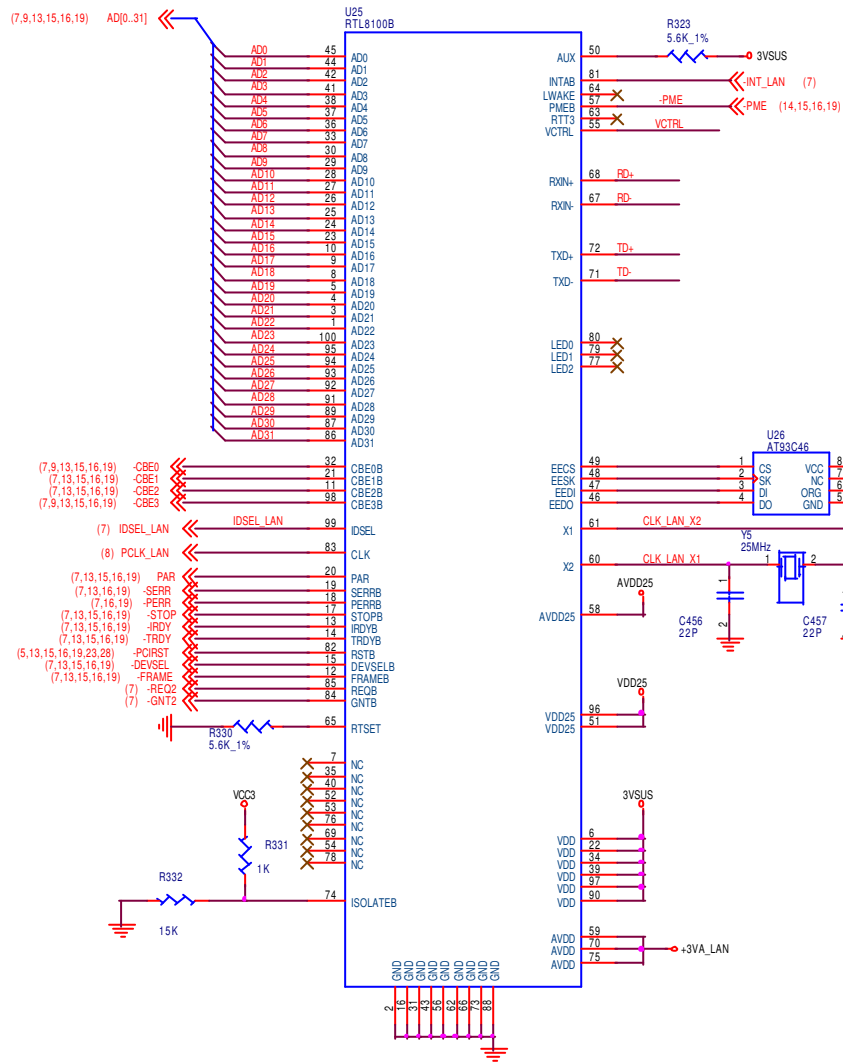
Date: Thursday, April 24, 2003

Sheet: 16 of 30

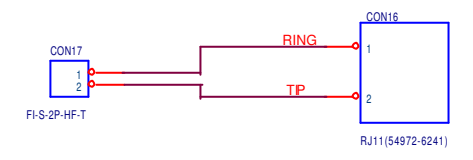
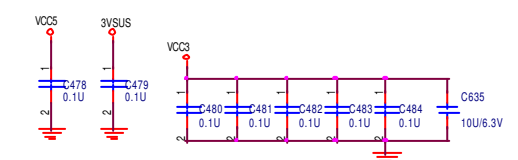
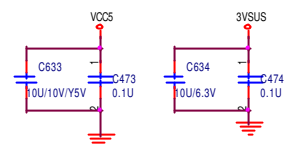
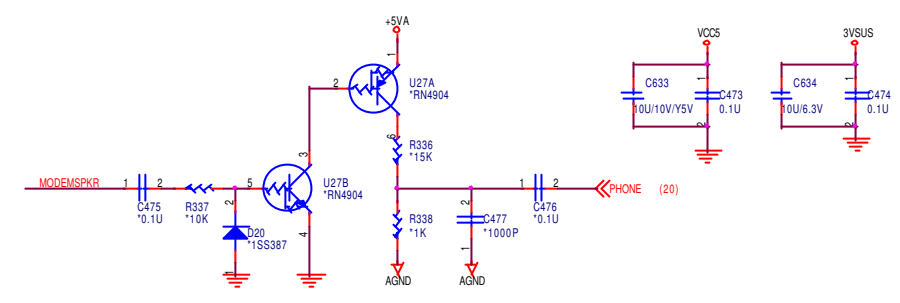
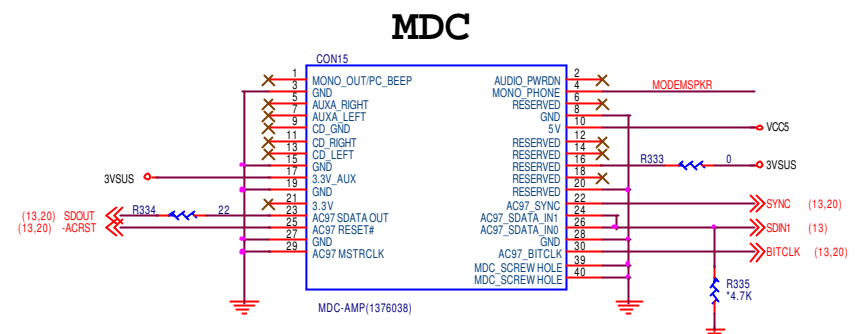
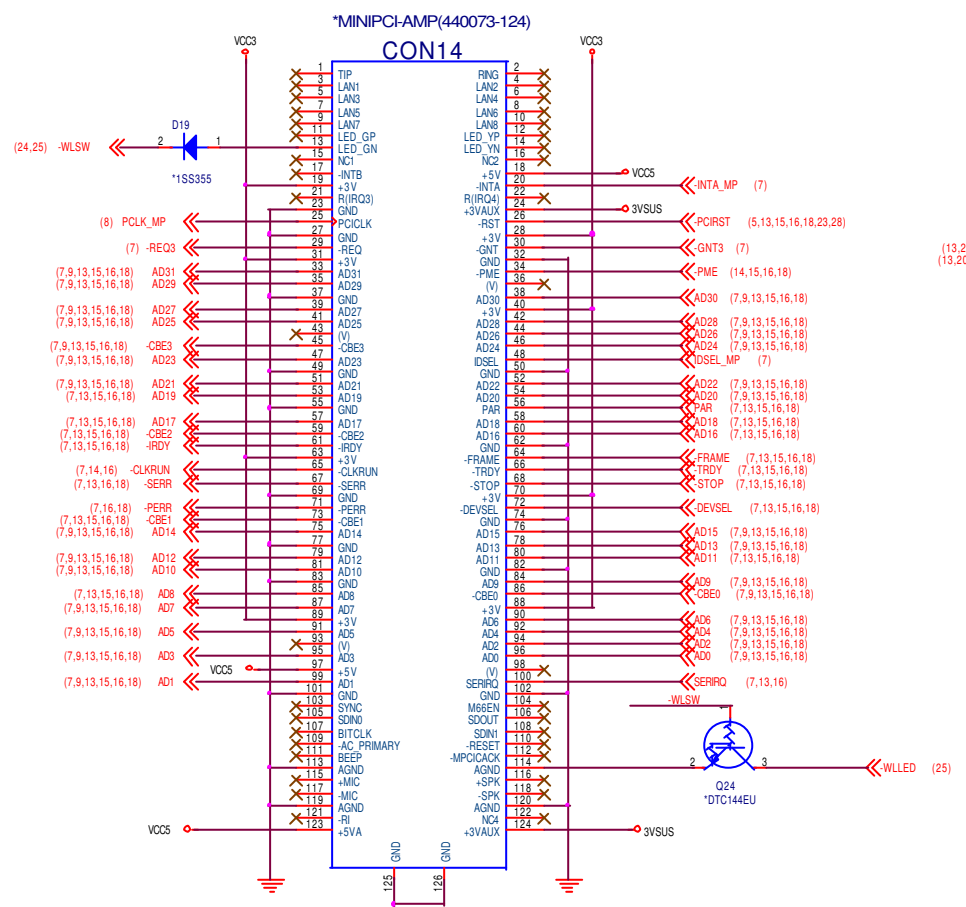
(16) ACAD[0..31]



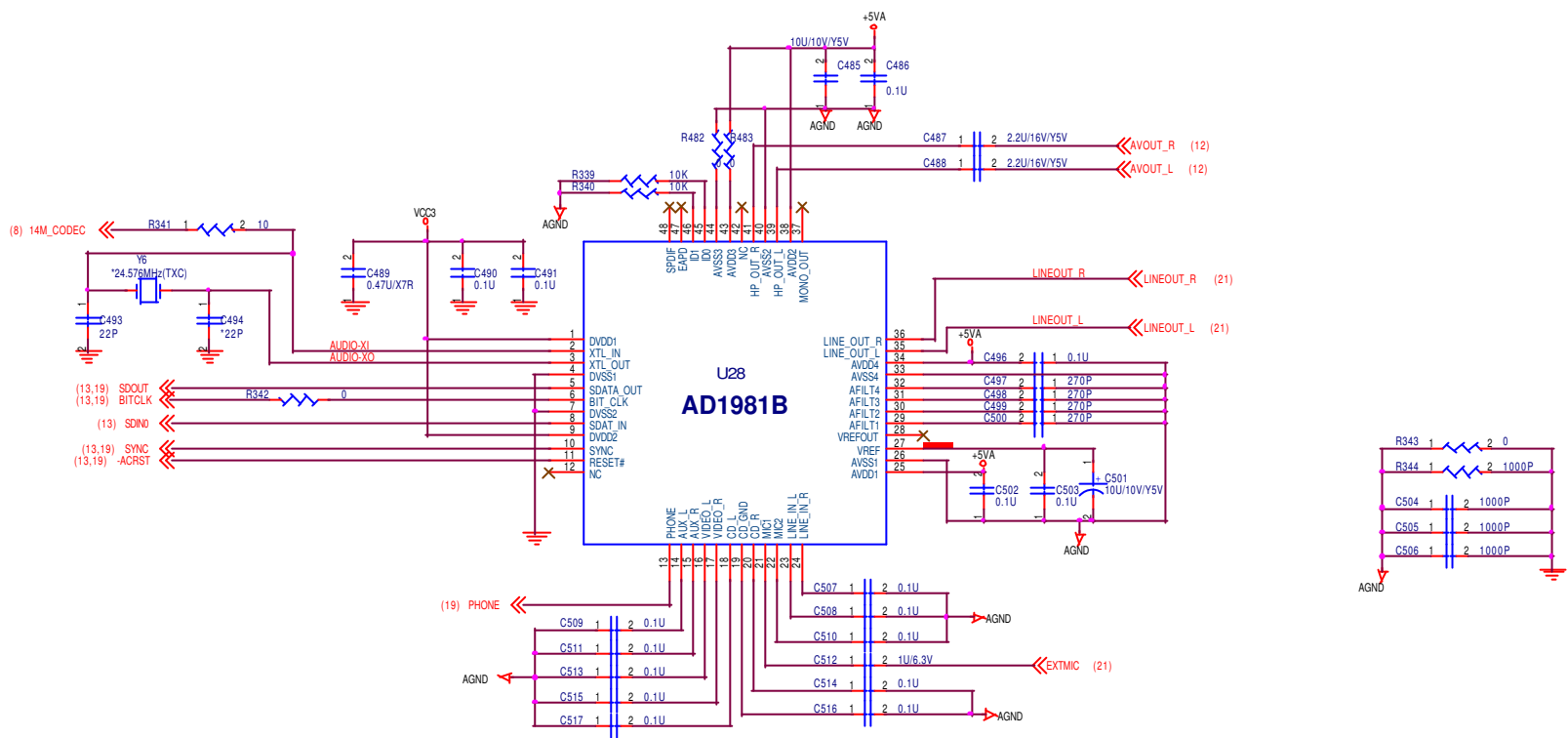
PCMCIA CONN  
 JE1.1 Main Board  
 Rev 1A



Title		
RTL8100B PCI LAN		
Size	Document Number	Rev
B	JE1.1 Main Board	2A



Mini PCI & MDC		
Size B	Document Number	Rev 3A
JE1.1 Main Board		



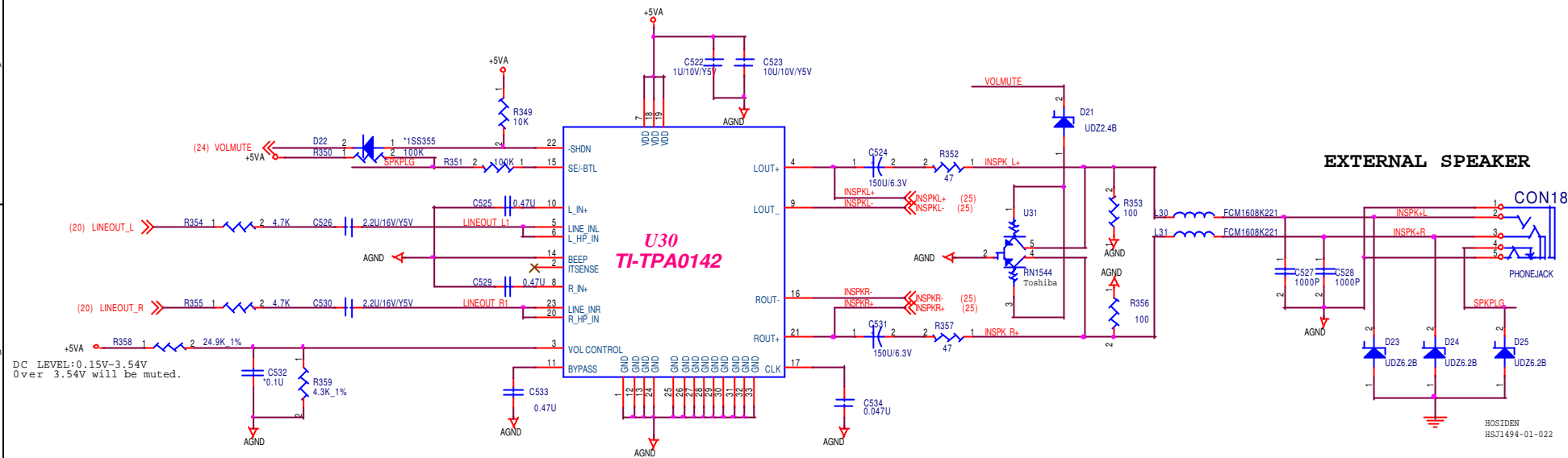
**QUANTA COMPUTER**

Title: **Audio ADI AD1981A**

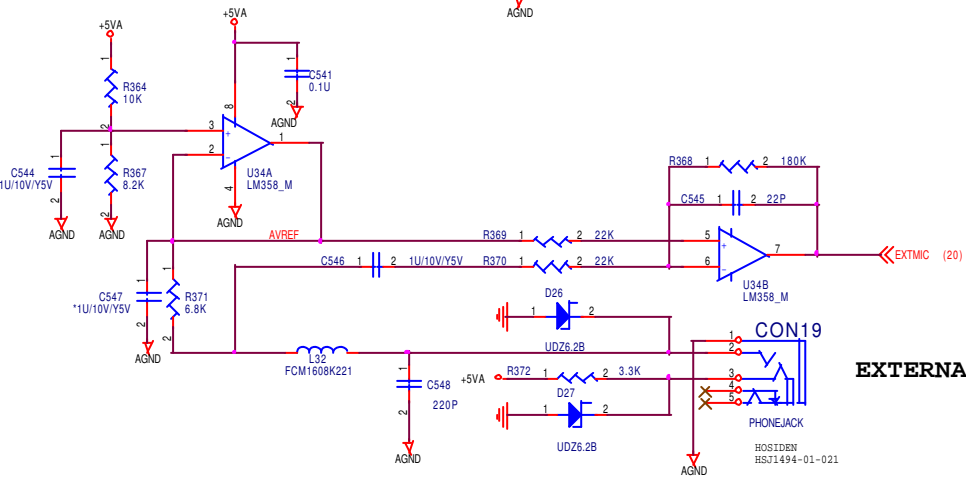
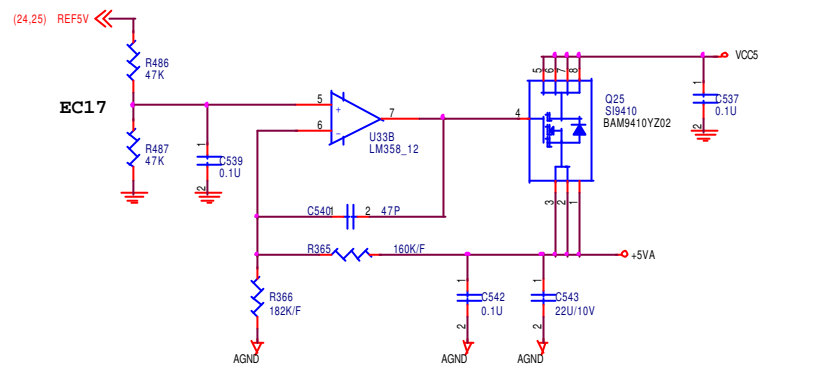
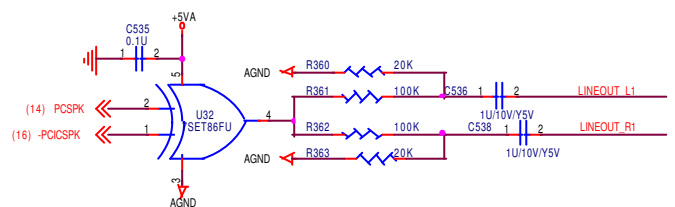
Size: B Document Number: **JE1.1 Main Board** Rev: 2A

Date: Thursday, April 24, 2003 Sheet: 20 of 30

# Audio amplifier



DC LEVEL: 0.15V~3.54V  
Over 3.54V will be muted.



## EXTERNAL MIC

**QUANTA COMPUTER**

file: **AUDIO AMP**

Size B Document Number **JE1.1 Main Board** Rev 2A





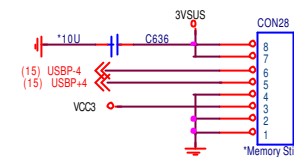
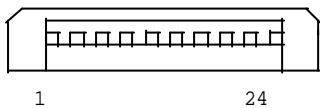
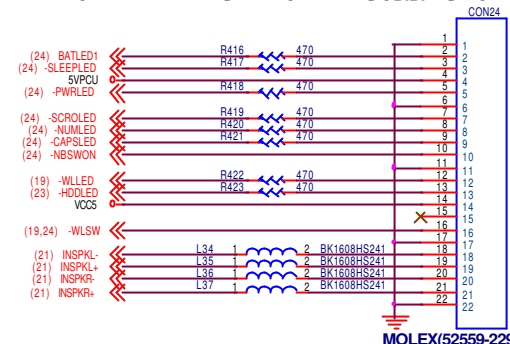
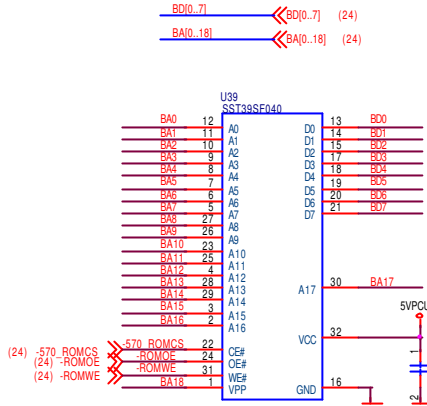
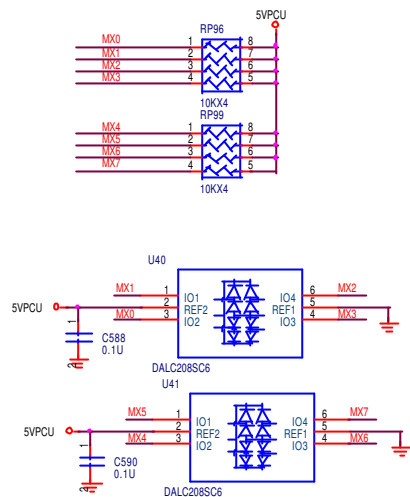
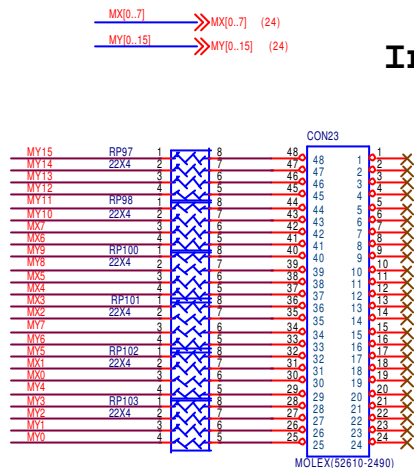




### Int. keyboard

### BIOS

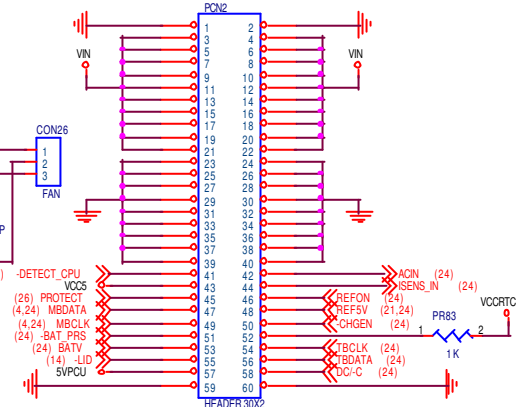
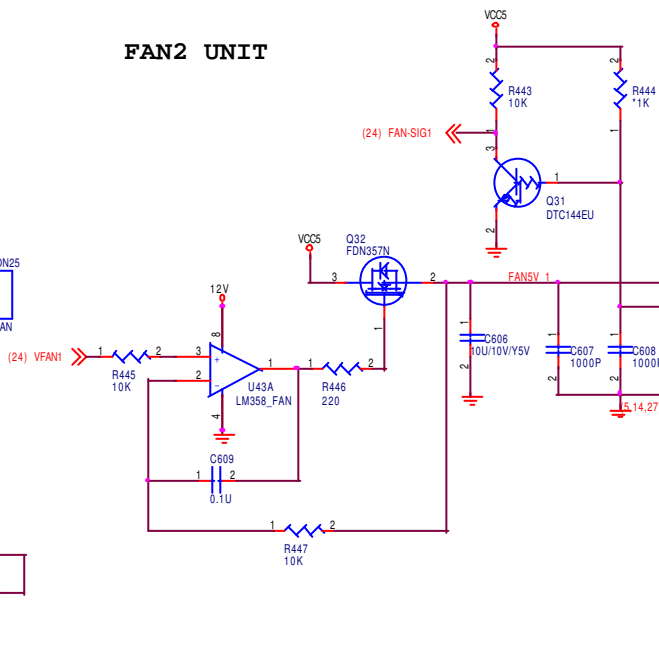
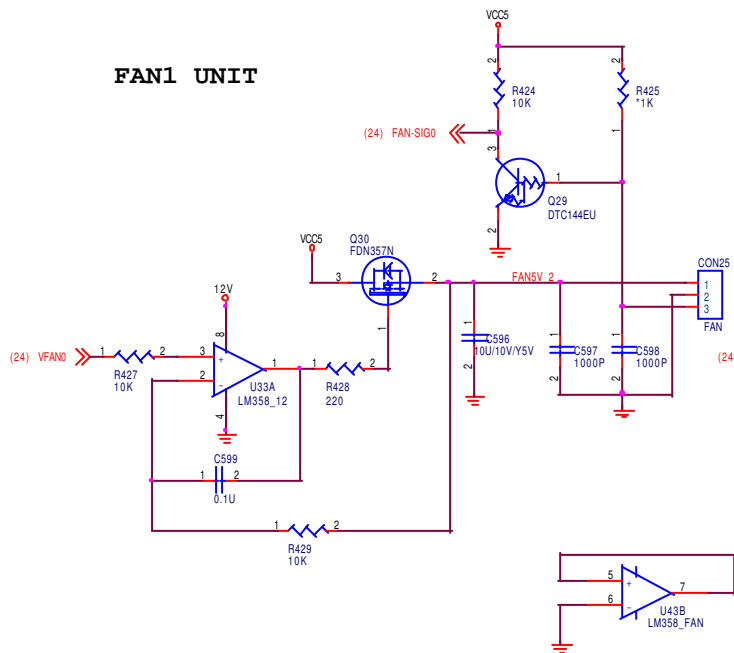
### POWER SWITCH BOARD CONNECTOR



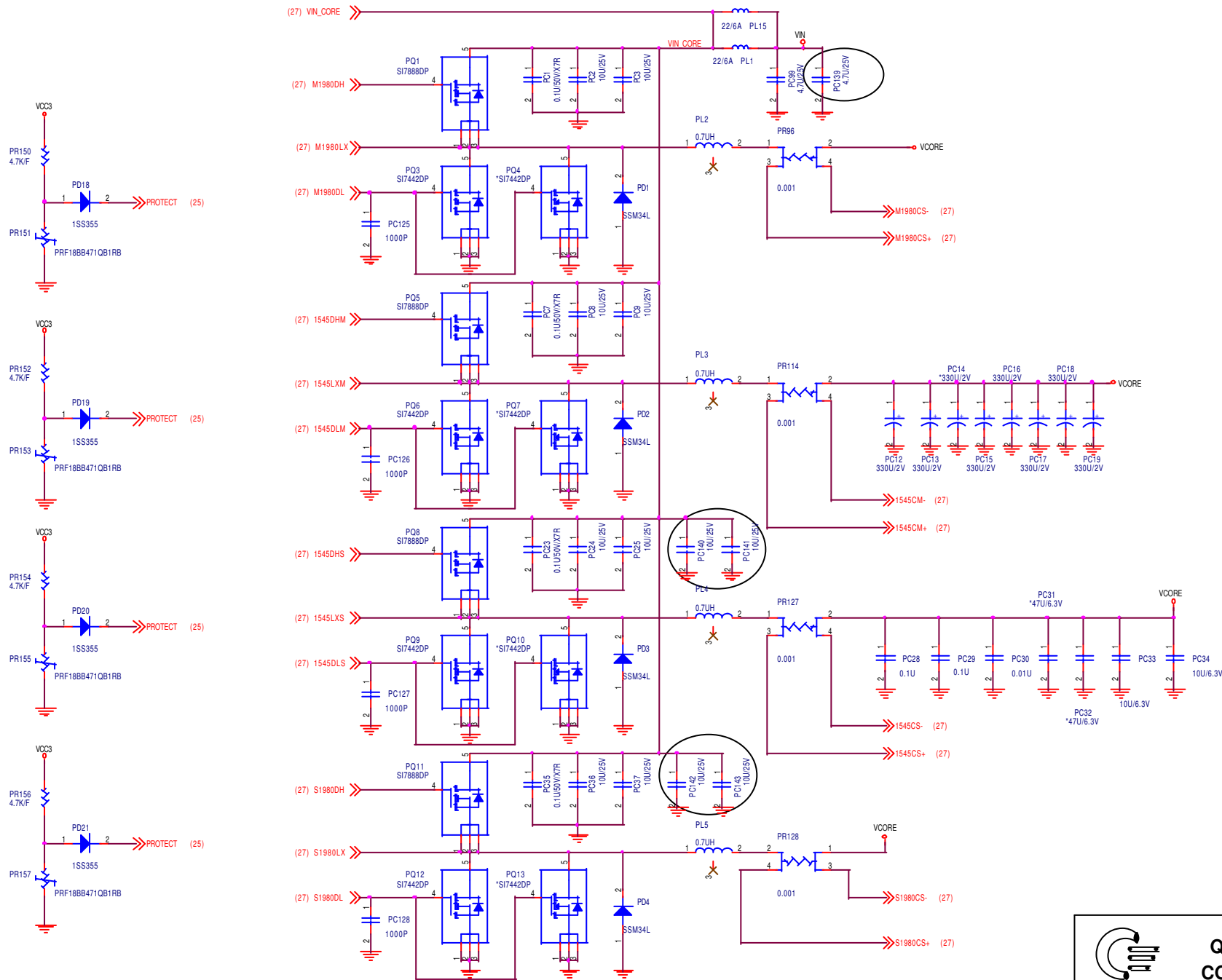
### FAN1 UNIT


### FAN2 UNIT

### CHARGER BOARD CONNECTOR

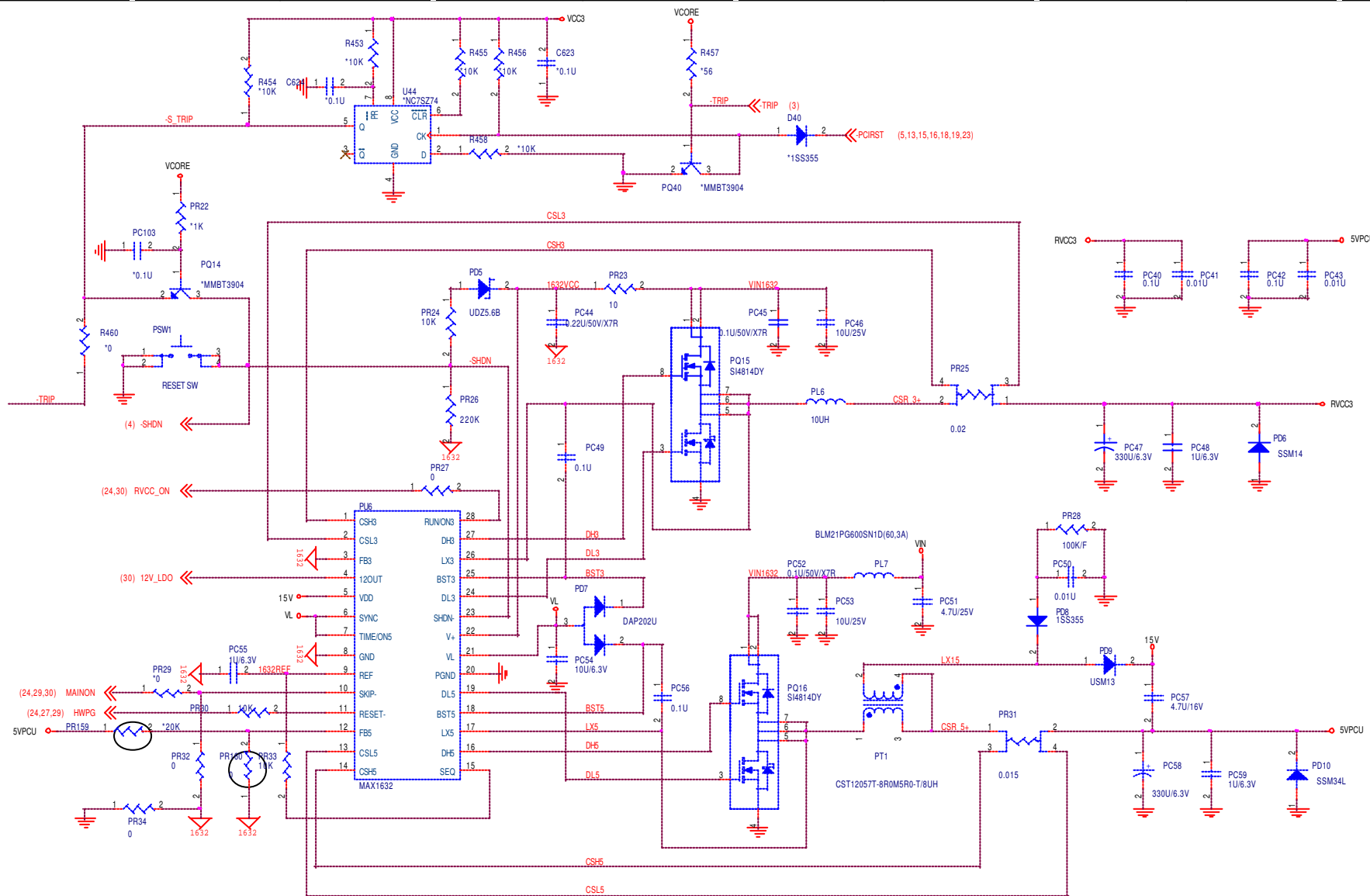



Title		INT. KEYBOARD/FAN	Rev	3A
Size	Document Number	JE1.1 Main Board		



 <b>QUANTA COMPUTER</b>		Size	Document Number	Rev	
			<b>JE1 Main Board</b>	<b>3A</b>	
THIS PART SHOULD NOT CONTAIN ANY SUBSTANCES WHICH ARE SPECIFIED IN SS-00259-1.		Date:	Thursday, April 24, 2003	Sheet	26 of 30

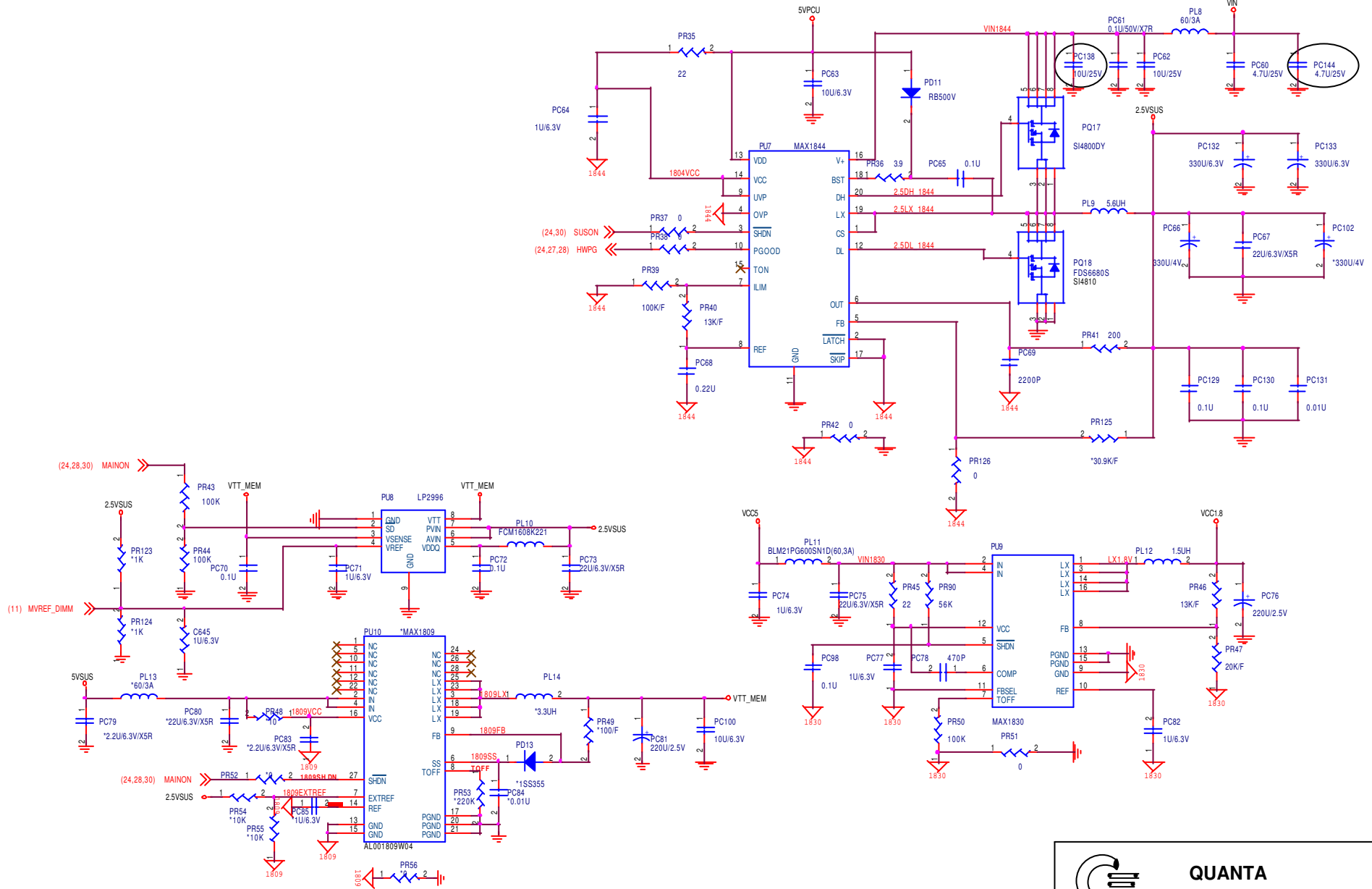





 **QUANTA  
COMPUTER**

Size	Document Number	Rev
	<b>JE1 Main Board</b>	<b>3A</b>

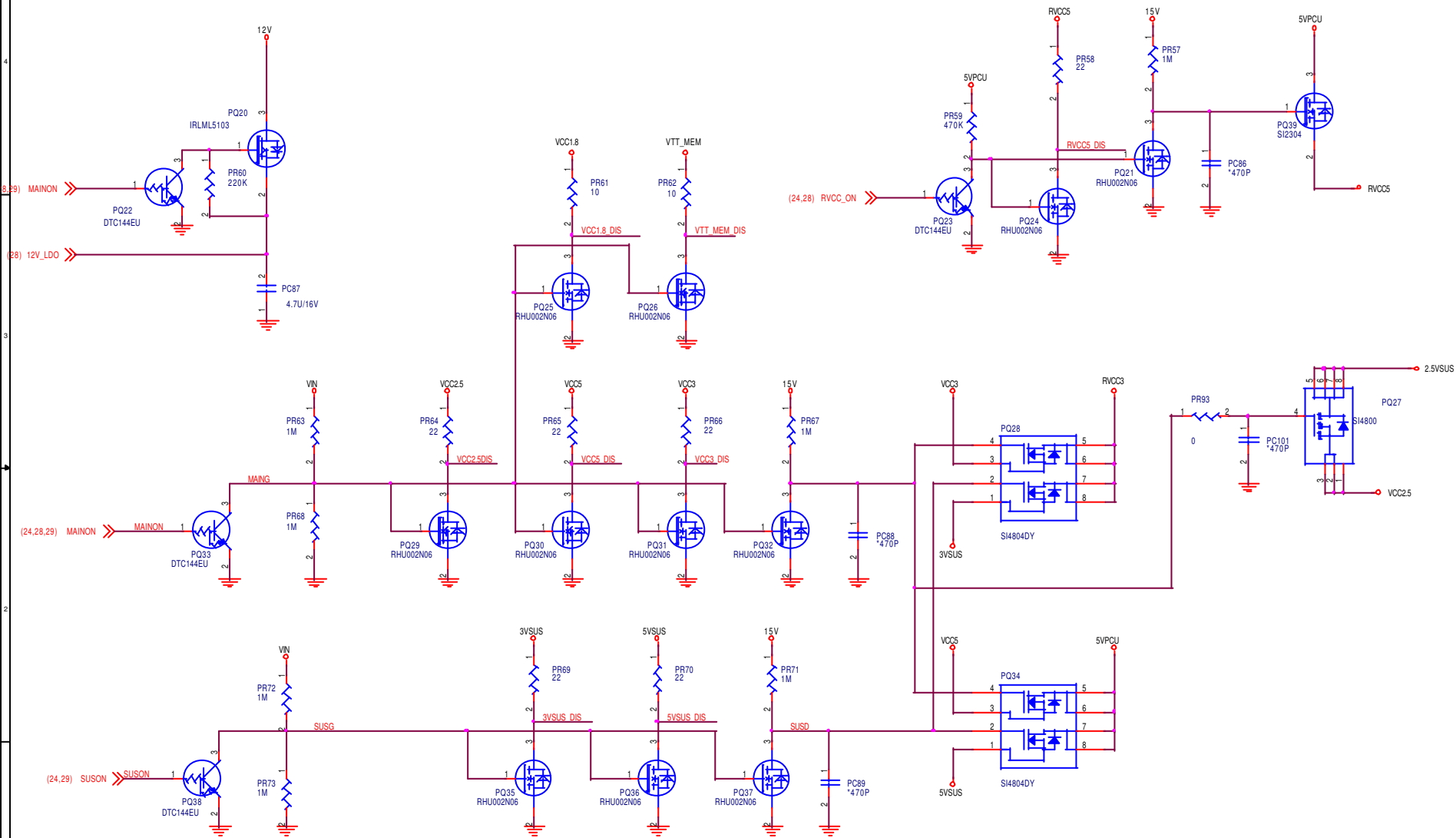
THIS PART SHOULD NOT CONTAIN ANY SUBSTANCES WHICH ARE SPECIFIED IN SS-00259-1. Date: Friday, April 18, 2003 Sheet 28 of 30




 **QUANTA  
COMPUTER**

Size	Document Number	Rev
	<b>JE1 Main Board</b>	<b>3A</b>





 <b>QUANTA COMPUTER</b>		Size	Document Number	Rev
			<b>JE1 Main Board</b>	<b>1A</b>
<small>THIS PART SHOULD NOT CONTAIN ANY SUBSTANCES WHICH ARE SPECIFIED IN SS-00259-1.</small>		Date:	Tuesday, April 08, 2003	Sheet
			30	of 30