

## A901 SCHEMATICS

- 01.THIS PAGE
- 02.FCPGA370-1
- 03.FCPGA370-2
- 04.CLOCK GENERATOR
- 05.SIS630S-1 HOST/MEMORY
- 06.SIS630S-2 PCI/IDE
- 07.SIS630S-3 VGA/AGP
- 08.SIS630S-4 SOUTH BRIDGE
- 09.SIS630S-5 POWER
- 10.DIMM
- 11.LVDS TRANSMITTER & LCD CONN.
- 12.VIDEO BRIDGE(SIS301DH)
- 13.CRT & S-VIDEO
- 14.HDD & CDROM CONN.
- 15.AC'97 CODEC
- 16.OP AMPLIFIER & AUDIO JACK
- 17.RJ11/RJ45 JACKS & MODEM CARD
- 18.REALTEK RTL8100 ETHERNET LAN
- 19.W83L517D LPC SUPER IO
- 20.COM & LPT PORTS
- 21.KEYBOARD CONTROLLER
- 22.ROM & POWER GOOD
- 23.RTC BATTERY & POWER SW
- 24.USB PORTS
- 25.CPU VCORE/VTT/VCC2.5V
- 26.VCC3/VCC5
- 27.VCC1.8V/AUX POWERS
- 28.VCC3\_DIMM & VTTPWGD
- 29.REVISION HISTORY

PCB NO. : KK0A901011020

REV. : 2.0

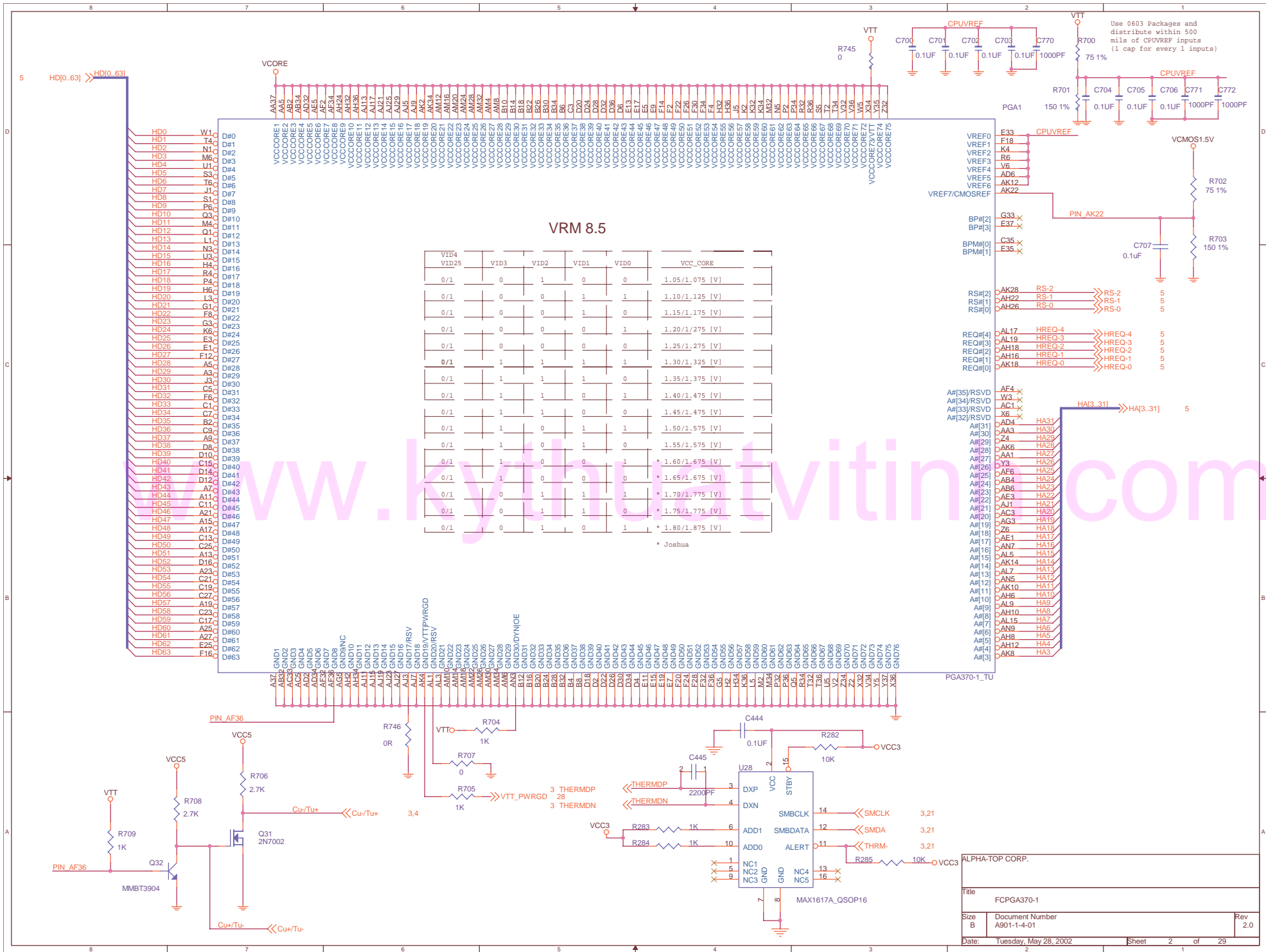
P. leader	Appr. by	Check by	Design by

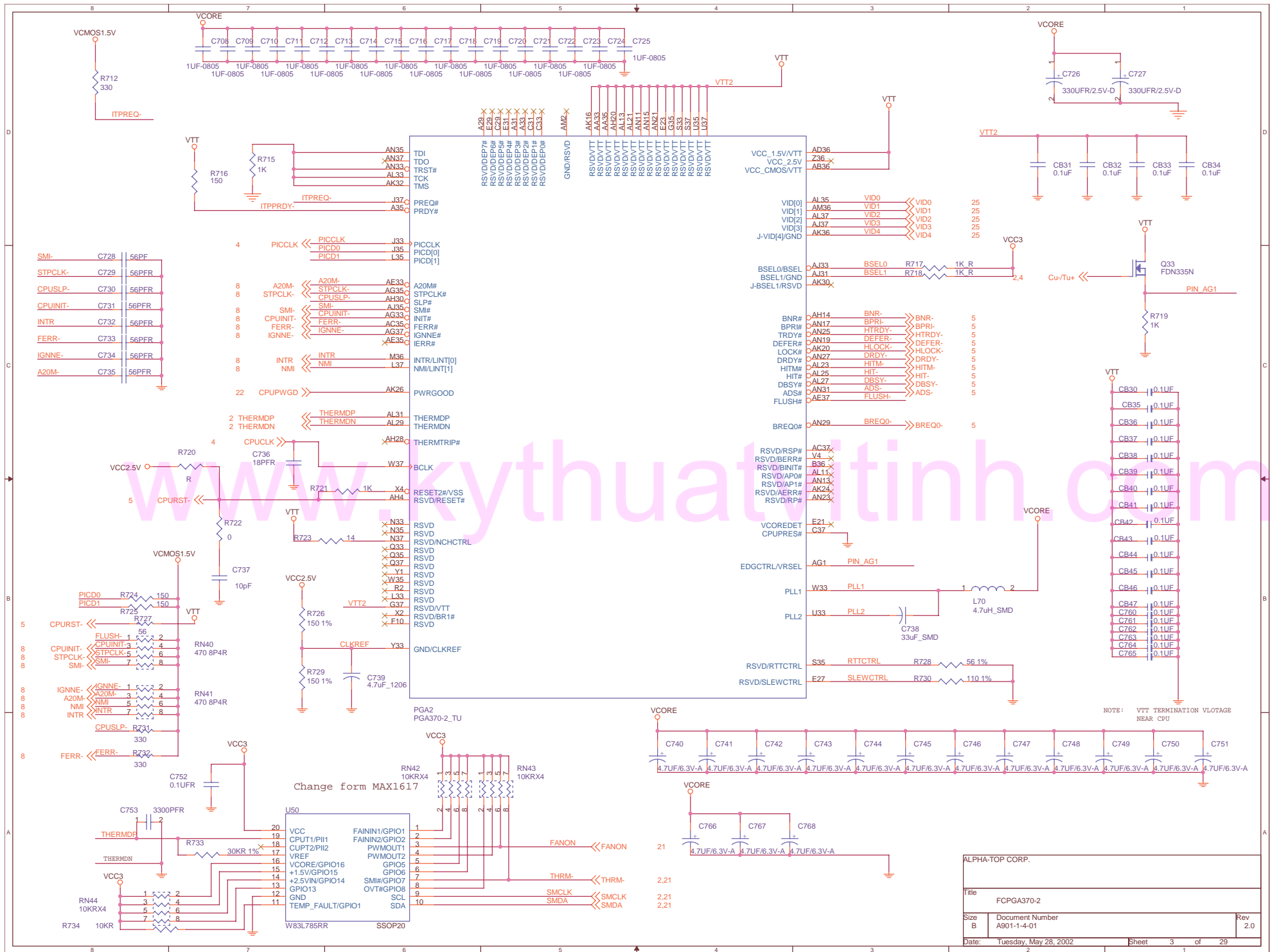
PAGE	1	2	3	4	5	6	7	8	9	10	11	12	13	14	15	16	17	18	19	20
VER	2.0	2.0	2.0	2.0	2.0	2.0	2.0	2.0	2.0	2.0	2.0	2.0	2.0	2.0	2.0	2.0	2.0	2.0	2.0	2.0
DATE	2/8	2/8	2/8	2/8	2/8	2/8	2/8	2/8	2/8	2/8	2/8	2/8	2/8	2/8	2/8	2/8	2/8	2/8	2/8	2/8

PAGE	21	22	23	24	25	26	27	28	29
VER	2.0	2.0	2.0	2.0	2.0	2.0	2.0	2.0	2.0
DATE	2/8	2/8	2/8	2/8	2/8	2/8	2/8	2/8	2/8

ALPHA-TOP CORP.		
Title A901 MAIN BOARD		
Size B	Document Number A901-1-4-01	Rev 2.0
Date: Tuesday, May 28, 2002		Sheet 1 of 29

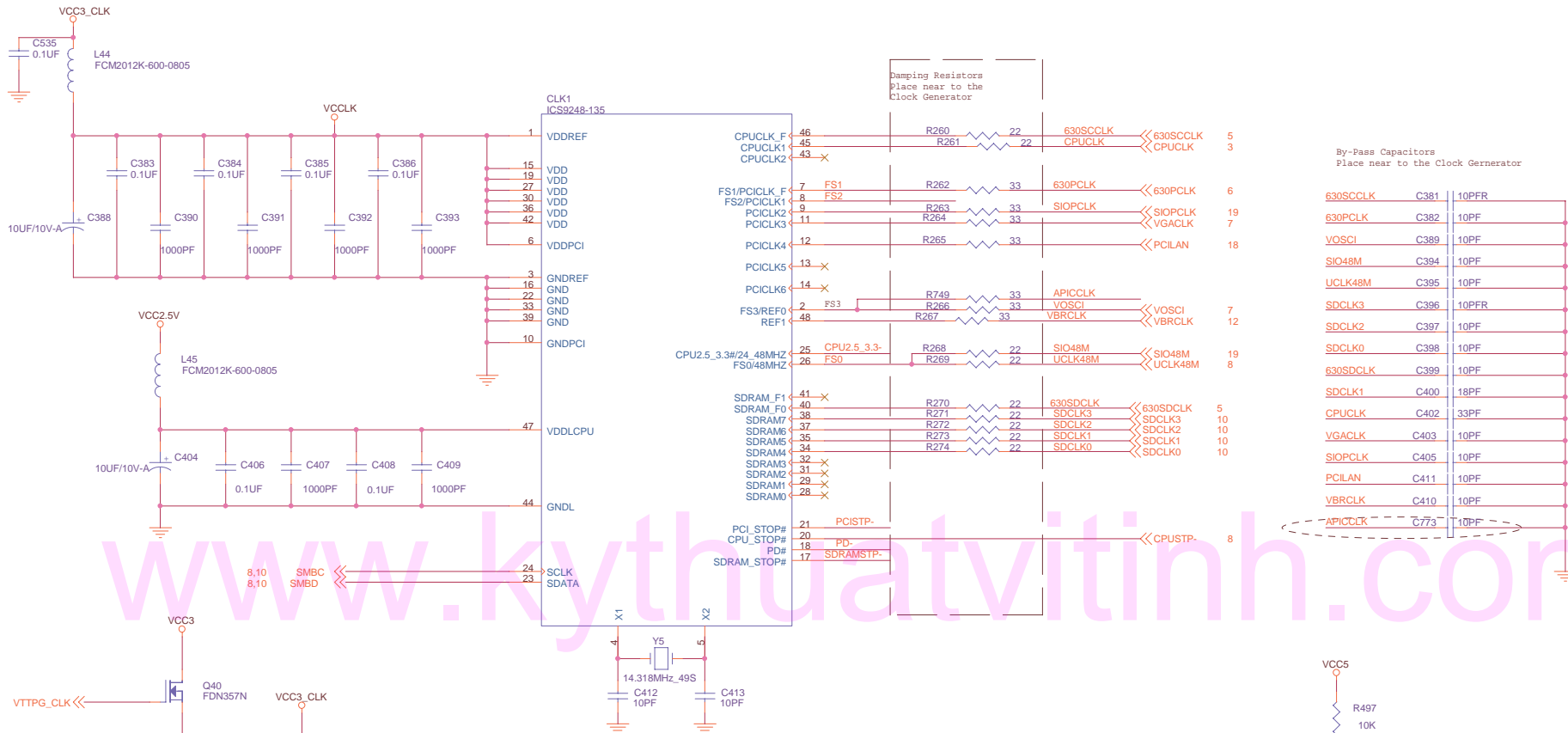
www.kythuatvithinh.com



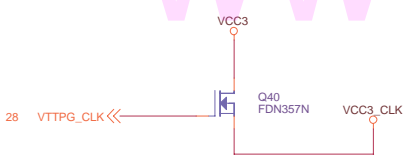
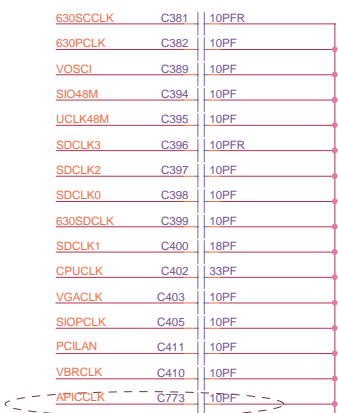


ALPHA-TOP CORP.		
Title: FCPGA370-2		
Size: B	Document Number: A901-1-4-01	Rev: 2.0
Date: Tuesday, May 28, 2002	Sheet: 3	of 29

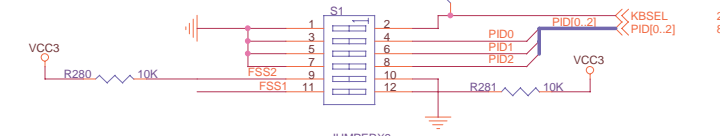
# Clock Generator



By-Pass Capacitors  
Place near to the Clock Generator



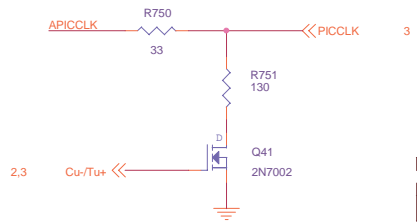
FS0-FS3 AND CPU2.5\_3.3- HAVE INTERNAL PULL-DOWN 120K TO GND  
 PD- HAS INTERNAL PULL-UP 120K TO VCC3  
 REF0 AND 48MHz HAS DOUBLE STRENGTH



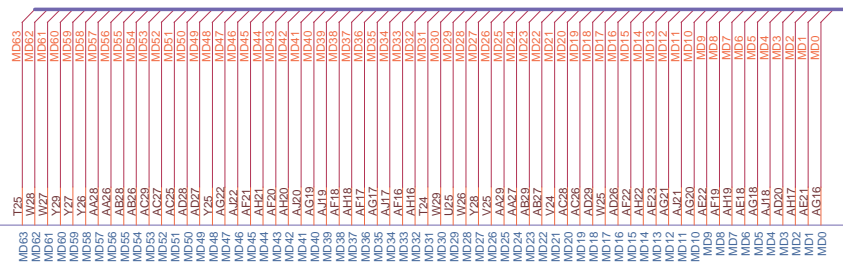
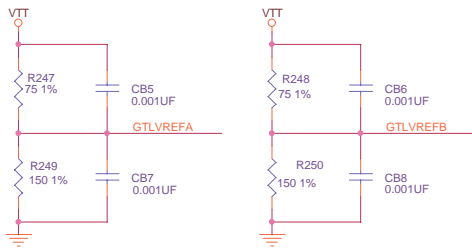
(1) OFF <----- ON(0)

FS1 / FS2	FREQUENCY
0	100
1	133

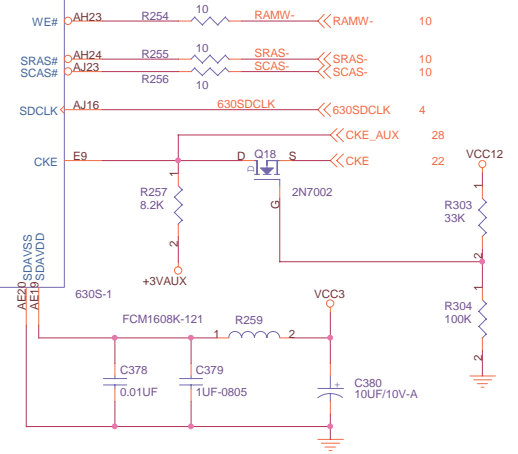
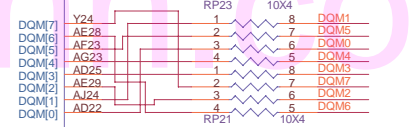
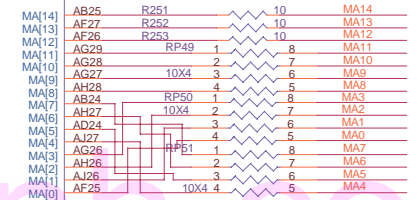
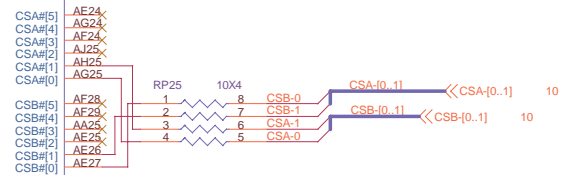
NOTE: FS1 CONTROLS CPU FREQUENCY  
 FS2 CONTROLS DRAM FREQUENCY



(FS3)	(FS2)	(FS1)	(FS0)	CPU (MHz)	SDRAM (MHz)	PCI (MHz)
0	0	0	1	100	100	33.3
0	0	1	1	133.3	100	33.3
0	1	0	1	100	133.3	33.3
0	1	1	1	133.3	133.3	33.3



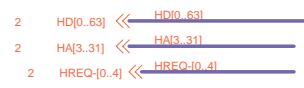
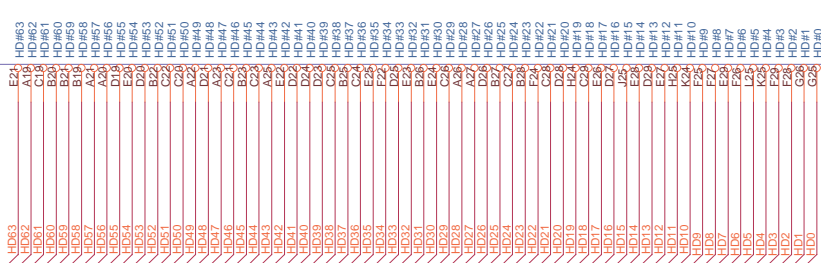
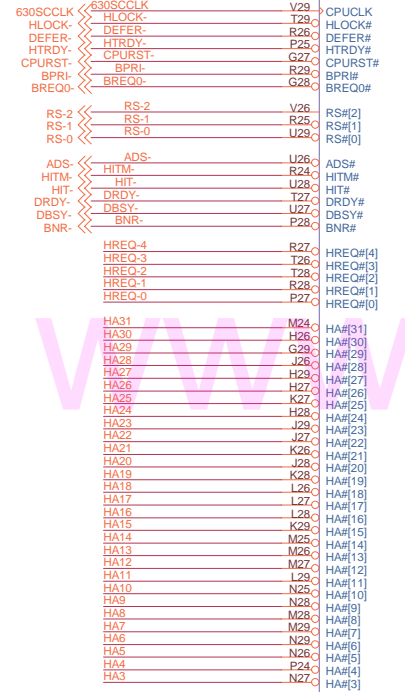
CHIPSETS



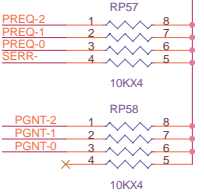
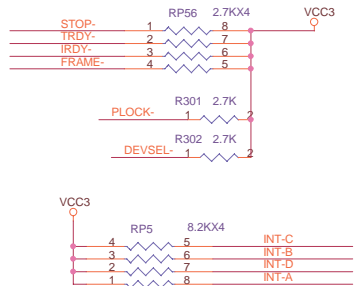
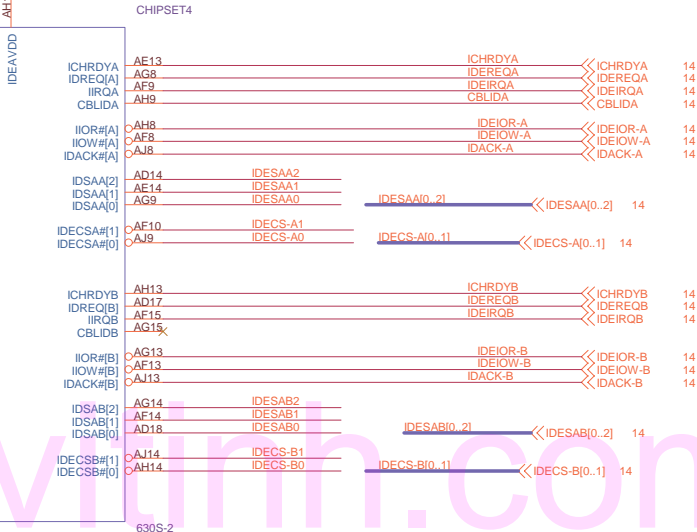
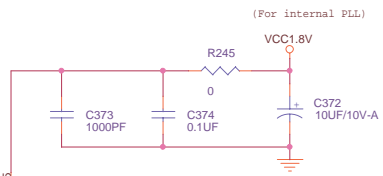
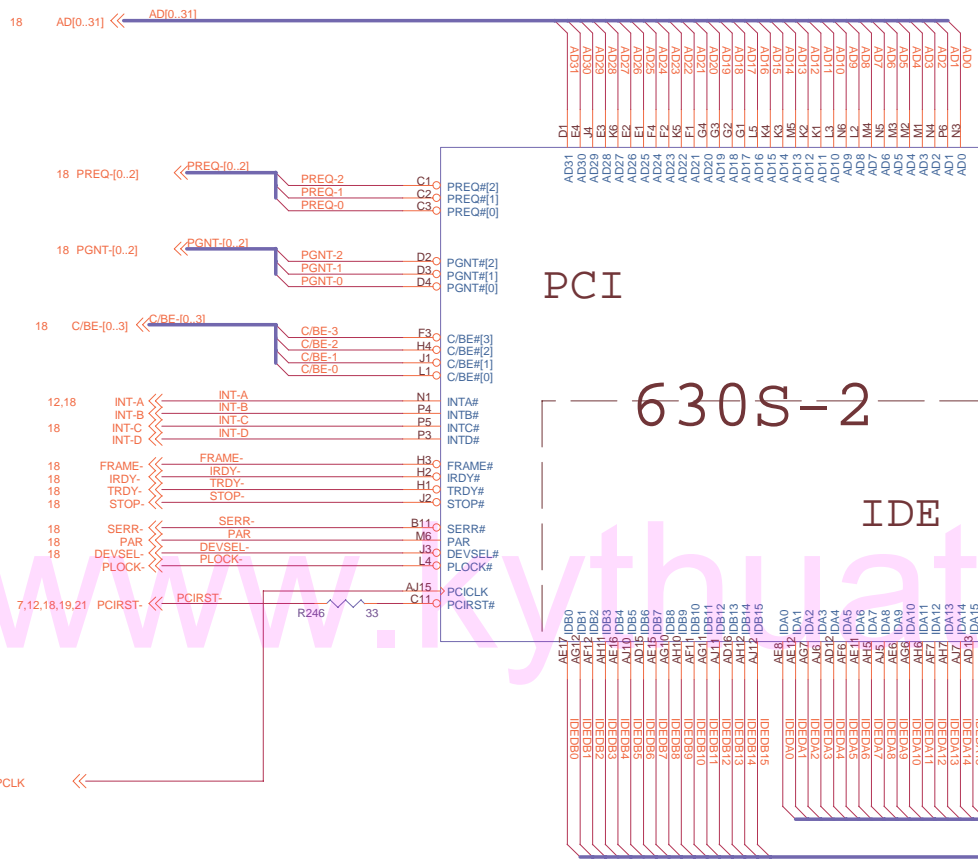
# MEMORY

## 630S-1

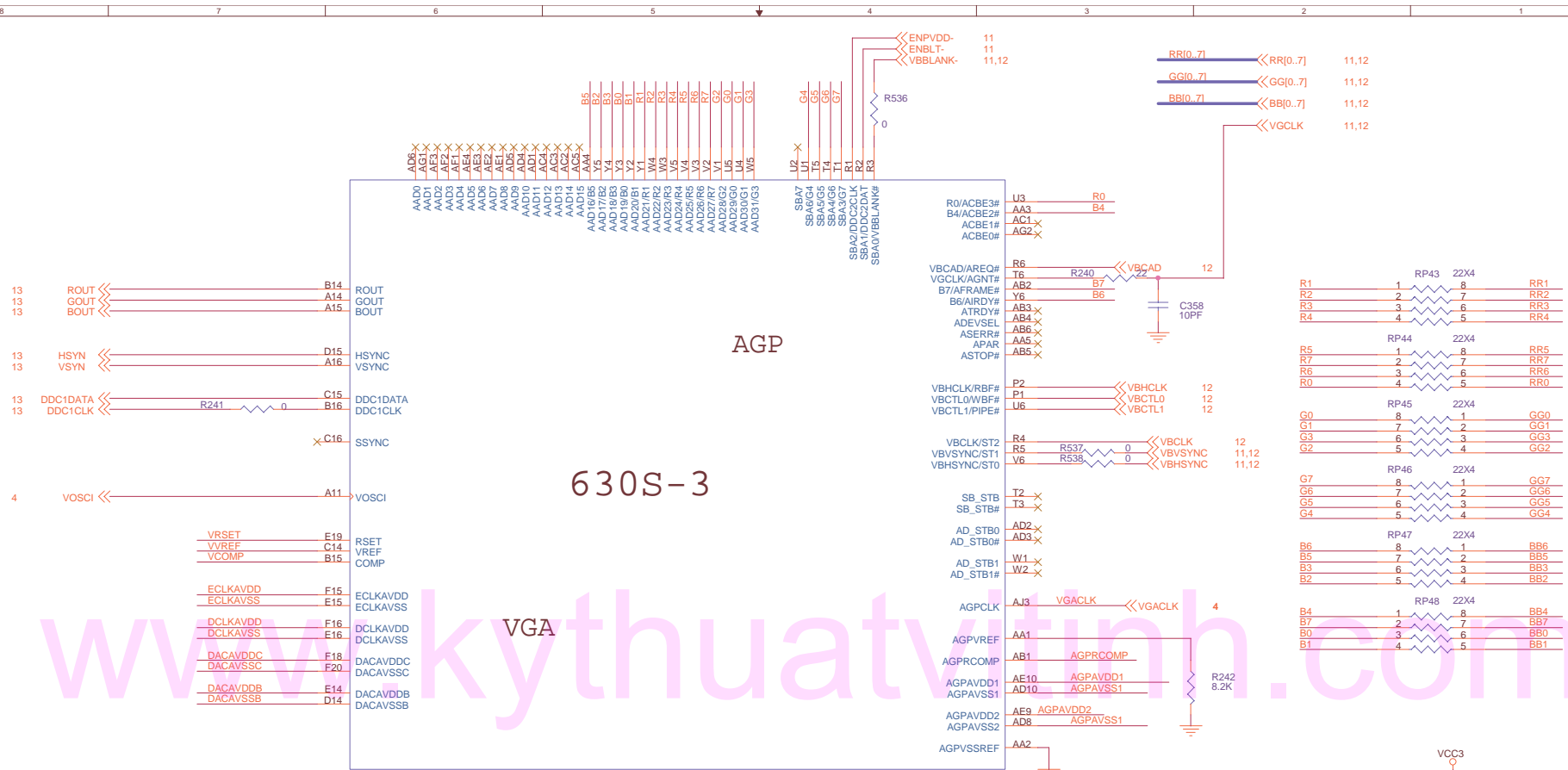
# HOST



ALPHA-TOP CORP.		
Title	SIS630S-1 HOST/MEMORY	
Size	Document Number	Rev
B	A901-1-4-01	5.0
Date:	Tuesday, May 28, 2002	Sheet 5 of 29

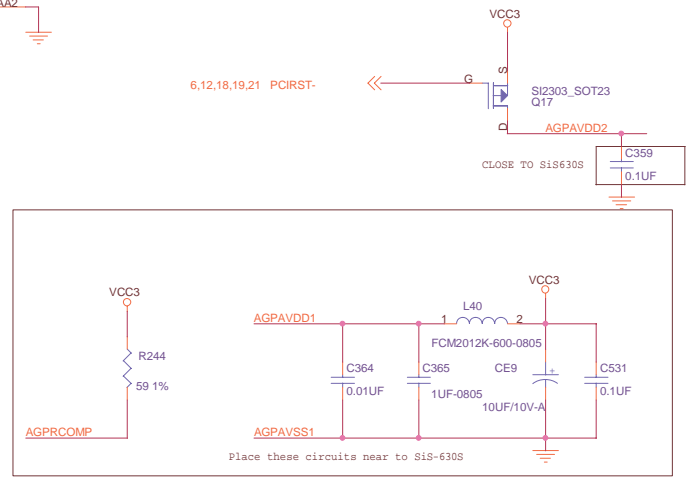
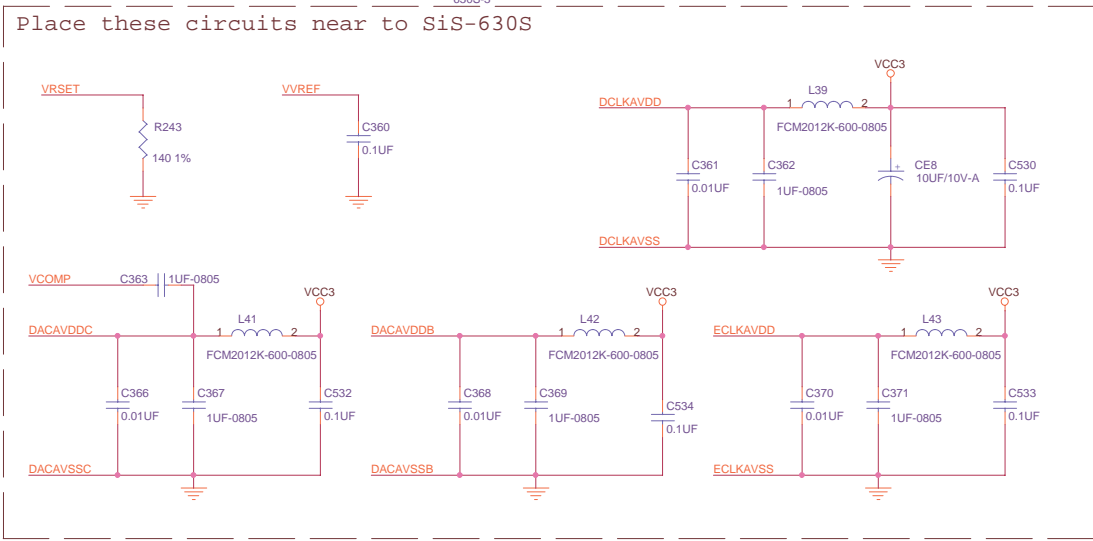


ALPHA-TOP CORP.		
Title SIS630S-2 PCI/IDE		
Size B	Document Number A901-1-4-01	Rev 5.0
Date: Tuesday, May 28, 2002	Sheet 6	of 29



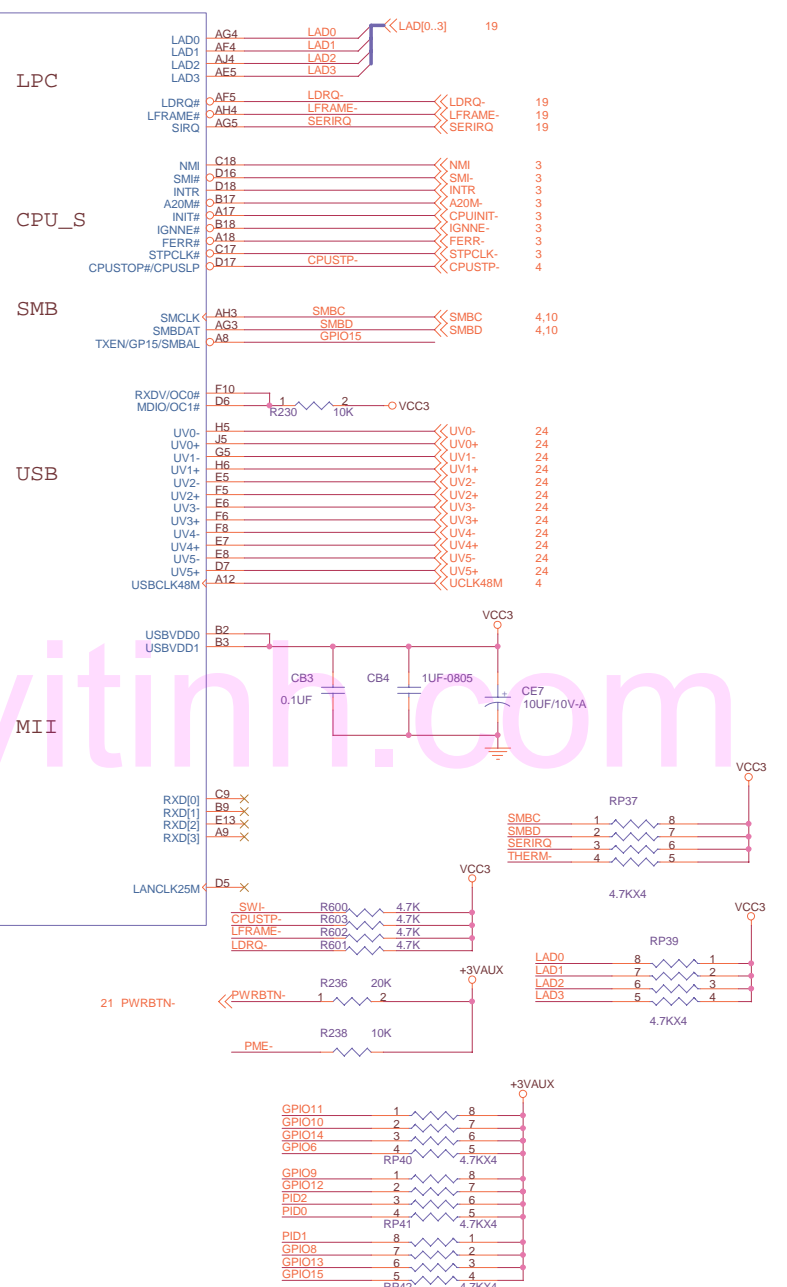
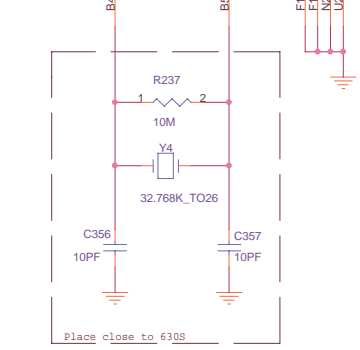
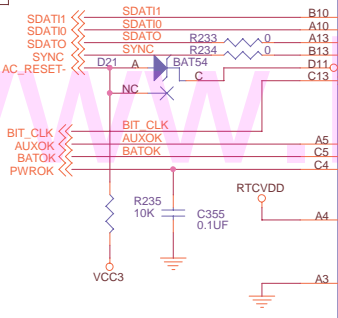
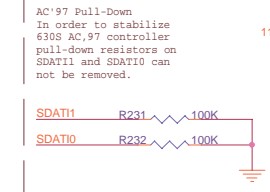
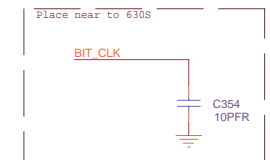
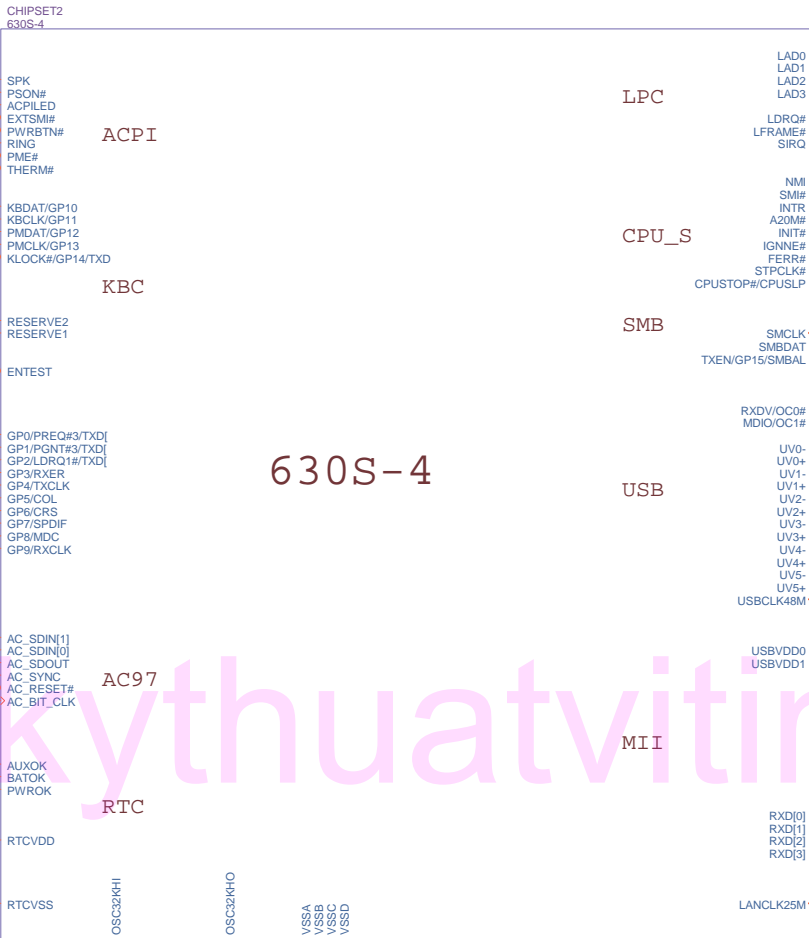
VGA

www.kythuathinh.com



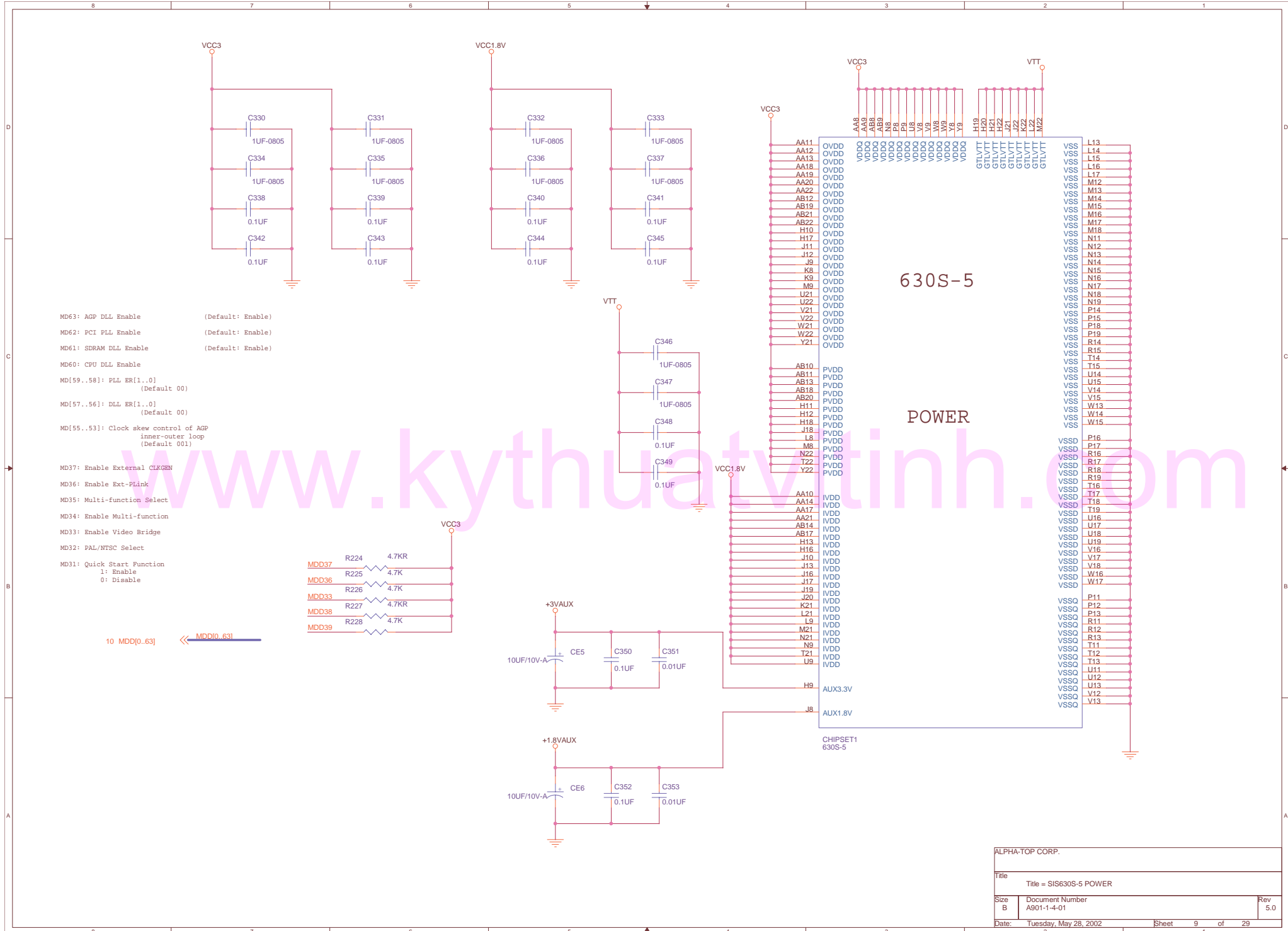
ALPHA-TOP CORP.		
Title SIS630S-3 VGA/DFP		
Size B	Document Number A901-1-4-01	Rev 5.0
Date: Tuesday, May 28, 2002	Sheet 7	of 29

# 630S-4



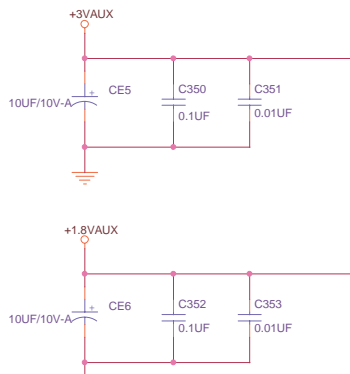
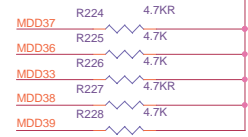
ALPHA-TOP CORP.		
Title SIS630S-4 SOUTH BRIDGE		
Size B	Document Number A901-1-4-01	Rev 2.0
Date: Tuesday, May 28, 2002	Sheet 8	of 29



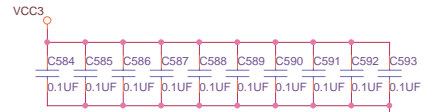
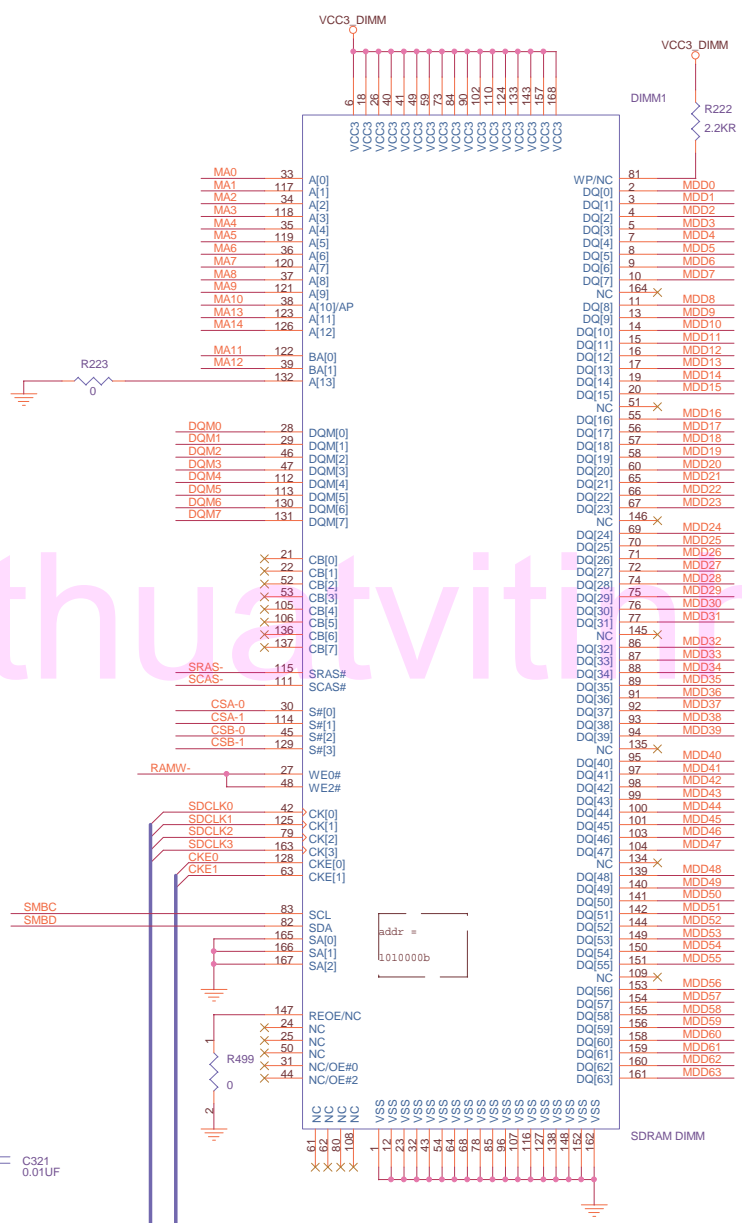
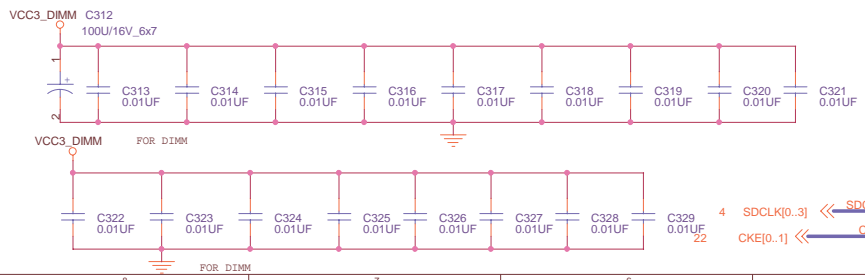
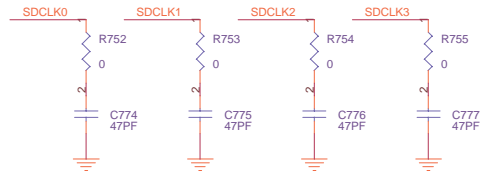
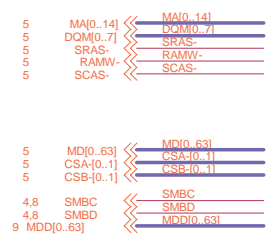
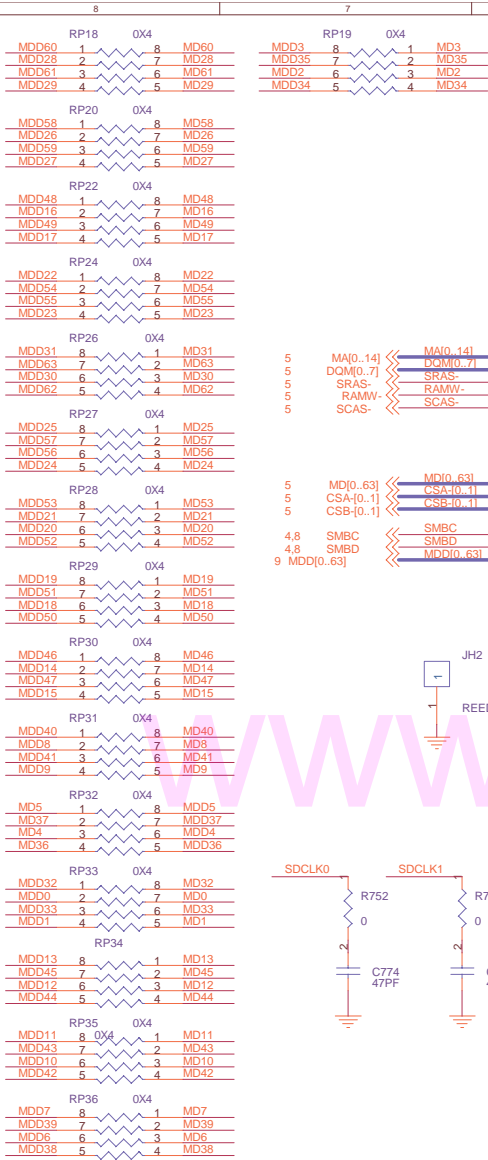


- MD63: AGP DLL Enable (Default: Enable)
- MD62: PCI PLL Enable (Default: Enable)
- MD61: SDRAM DLL Enable (Default: Enable)
- MD60: CPU DLL Enable
- MD[59..58]: PLL ER[1..0] (Default 00)
- MD[57..56]: DLL ER[1..0] (Default 00)
- MD[55..53]: Clock skew control of AGP inner-outer loop (Default 001)
- MD37: Enable External CLKGEN
- MD36: Enable Ext-PLink
- MD35: Multi-function Select
- MD34: Enable Multi-function
- MD33: Enable Video Bridge
- MD32: PAL/NTSC Select
- MD31: Quick Start Function
  - 1: Enable
  - 0: Disable

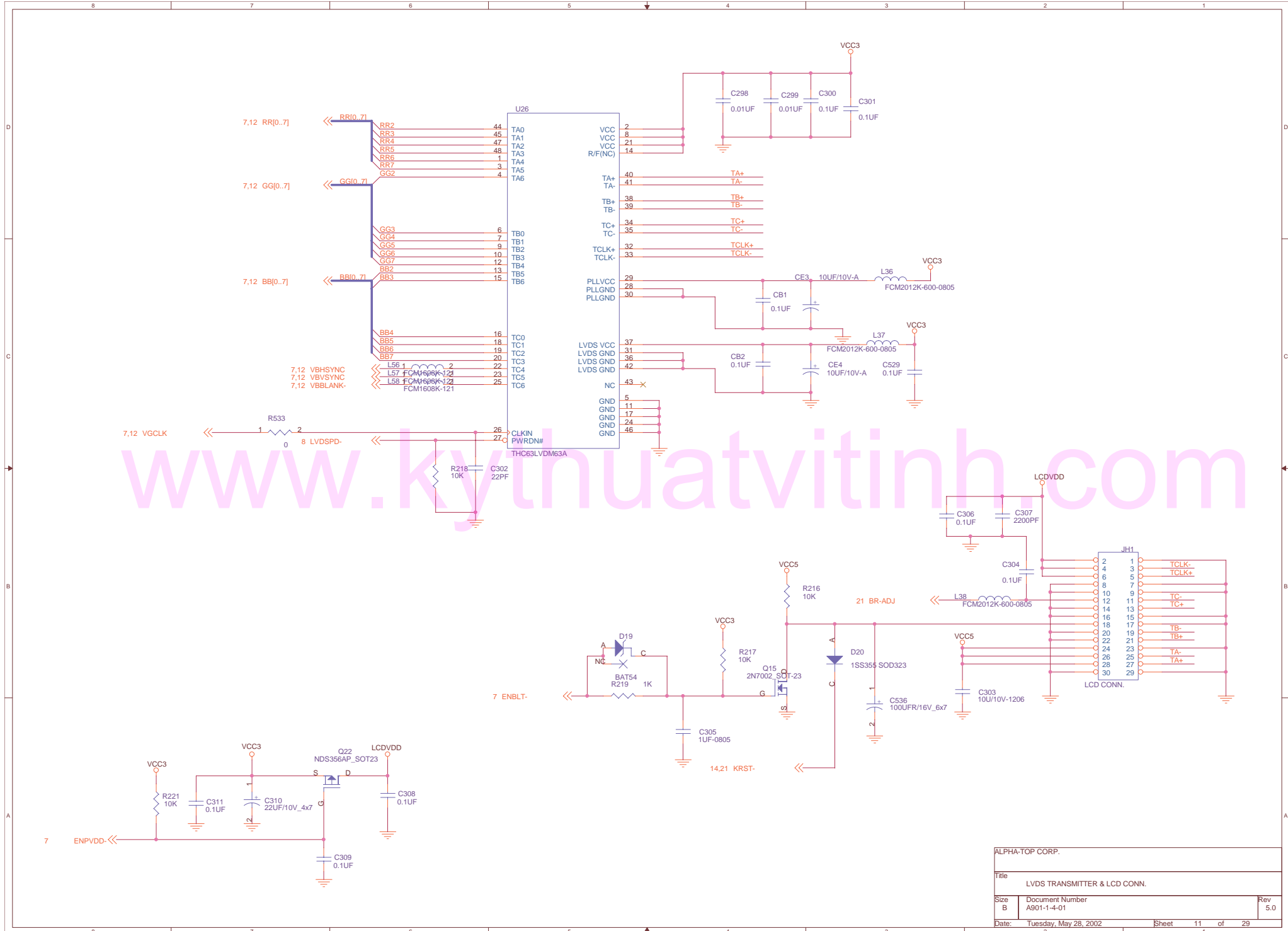
10 MDD[0..63] ← MDD[0..63]



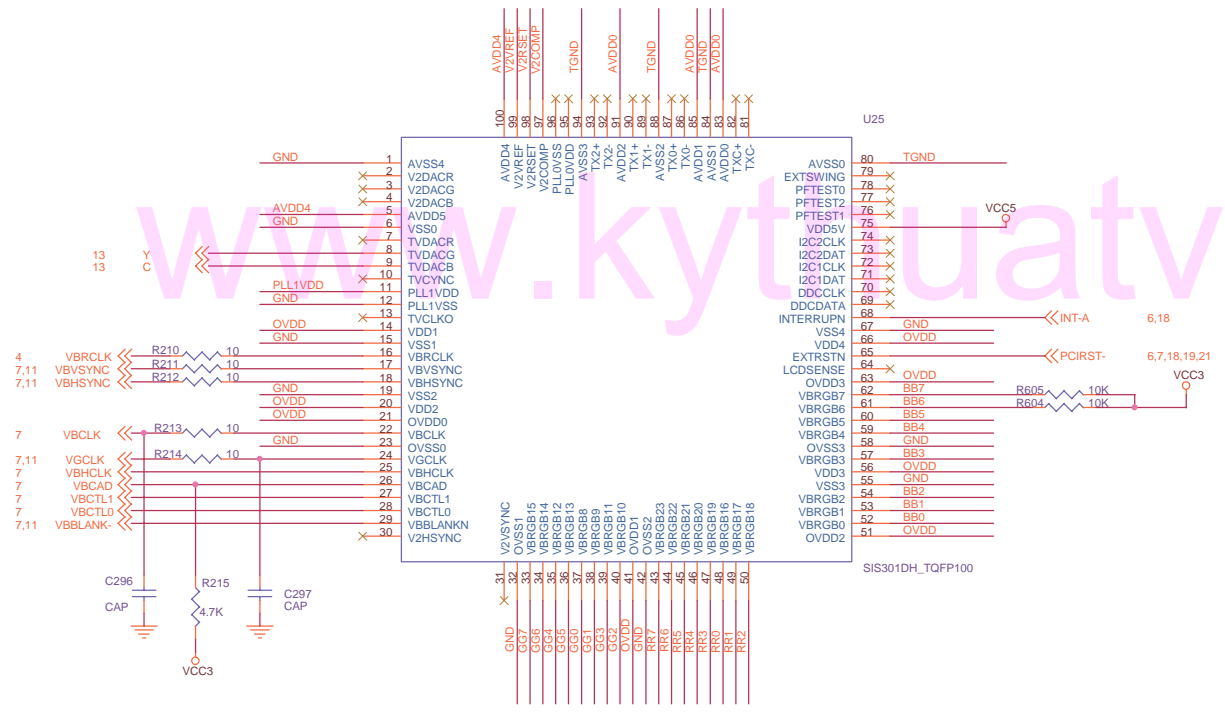
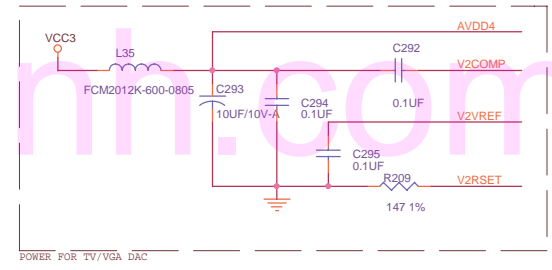
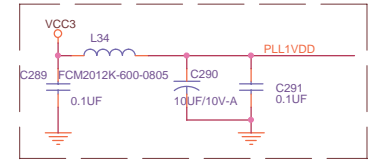
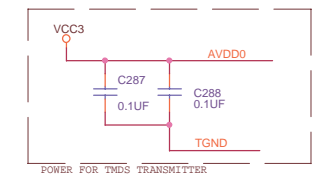
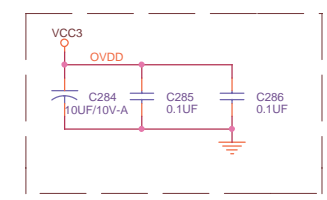
ALPHA-TOP CORP.		
Title = SIS630S-5 POWER		
Size B	Document Number A901-1-4-01	Rev 5.0
Date: Tuesday, May 28, 2002	Sheet 9	of 29



ALPHA-TOP CORP.		
Title DIMM		
Size B	Document Number A901-1-4-01	Rev 5.0
Date: Tuesday, May 28, 2002	Sheet 10	of 29

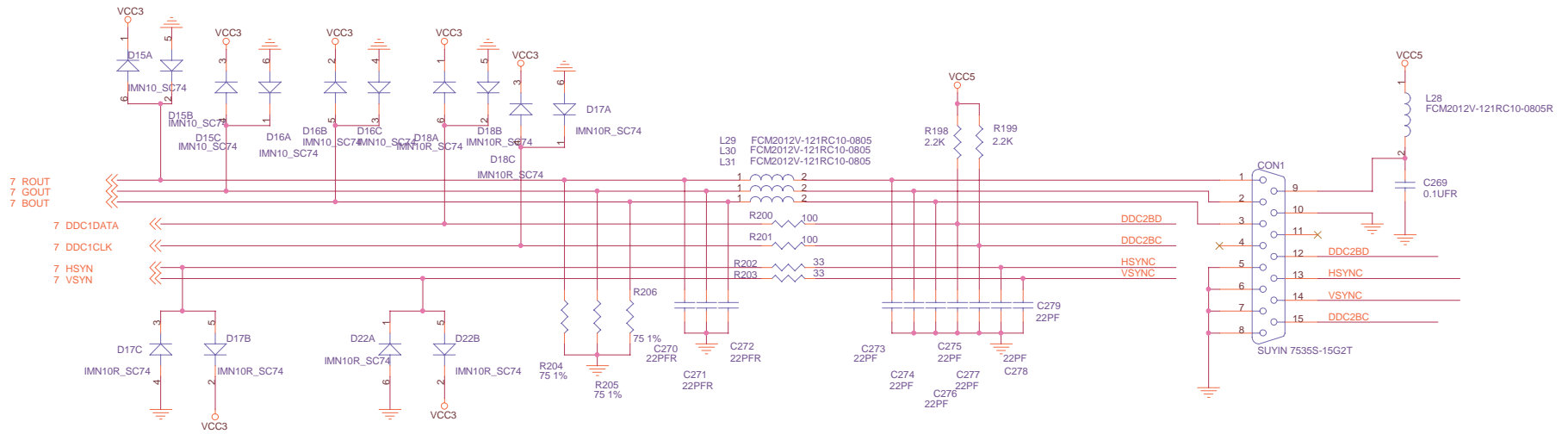


ALPHA-TOP CORP.		
Title LVDS TRANSMITTER & LCD CONN.		
Size B	Document Number A901-1-4-01	Rev 5.0
Date: Tuesday, May 28, 2002	Sheet 11	of 29

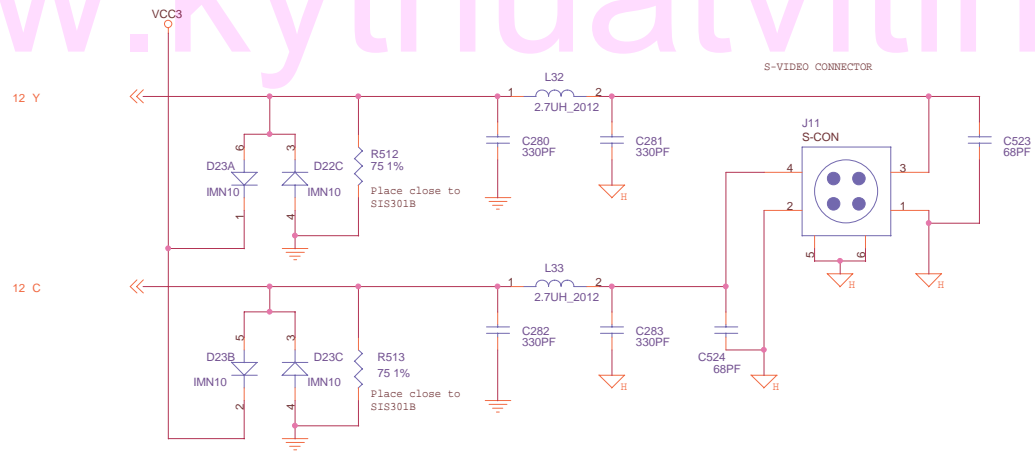


SIS301PQFP PACKAGE ONLY SUPPORT S-VIDEO TV AND AV-VIDEO TV

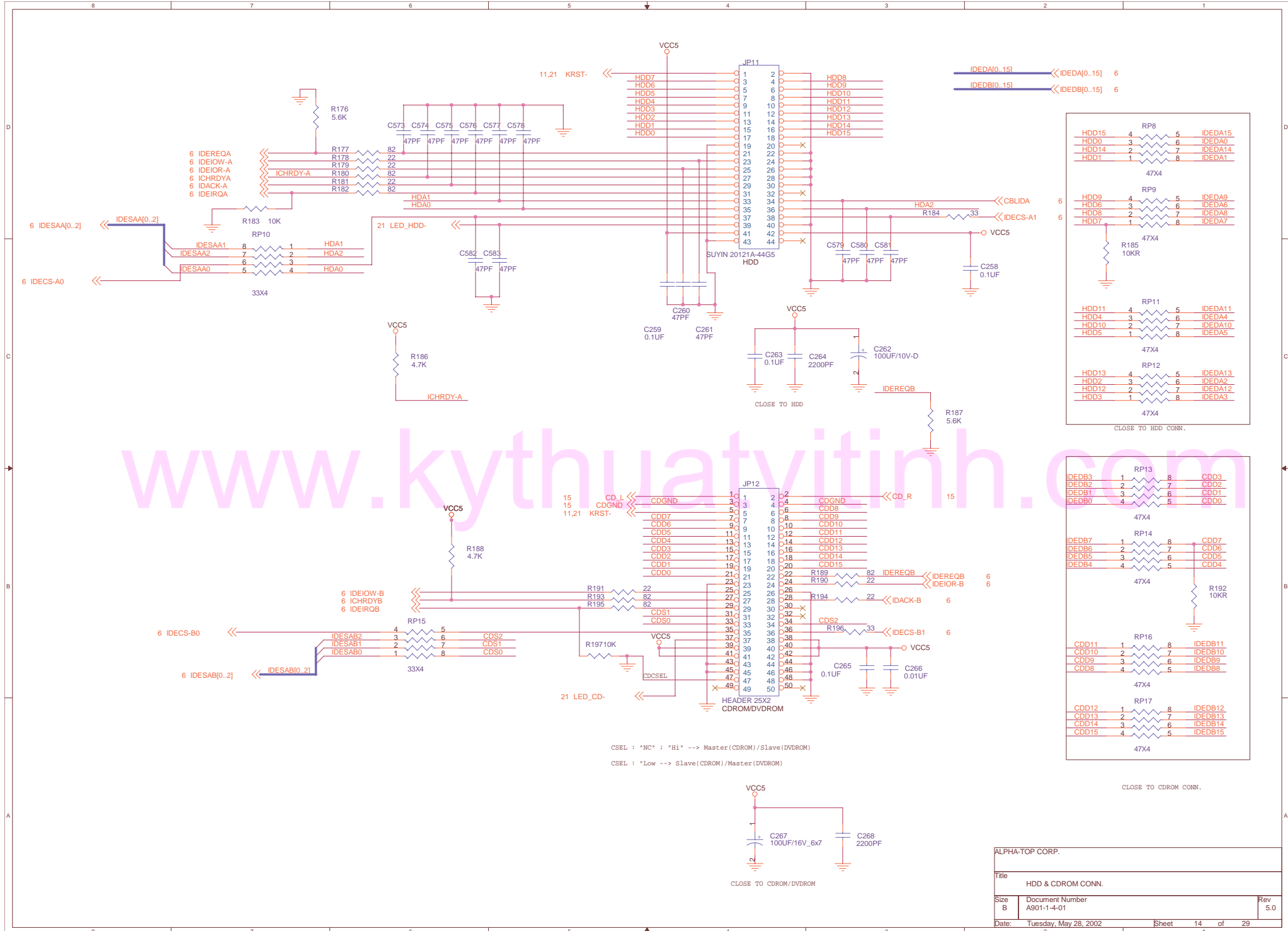
ALPHA-TOP CORP.	
Title VIDEO BRIDGE(SIS301B)	
Size B	Document Number A901-1-4-01
Date: Tuesday, May 28, 2002	Rev 5.0
Sheet 12	of 29



www.kythuatchitinh.com

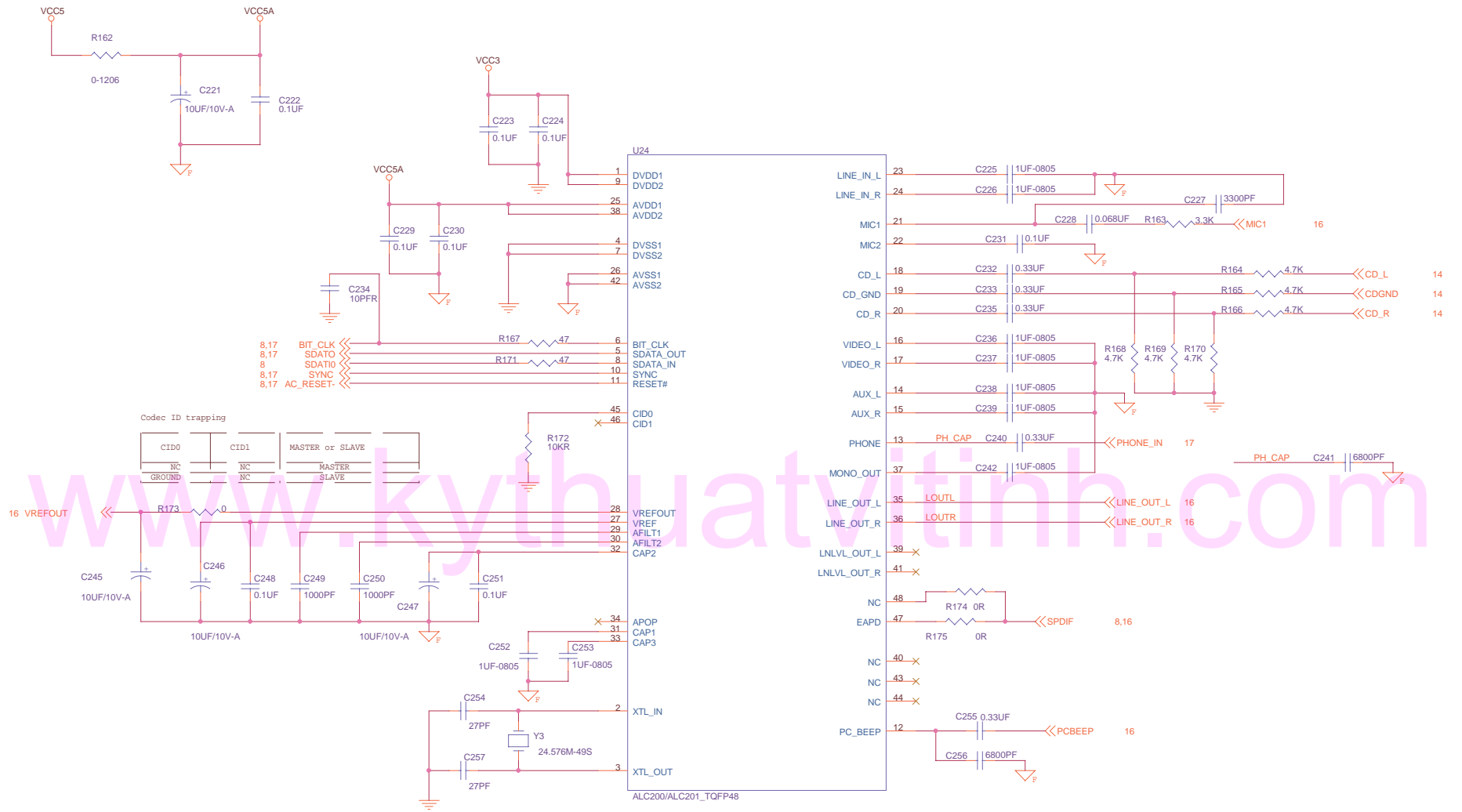


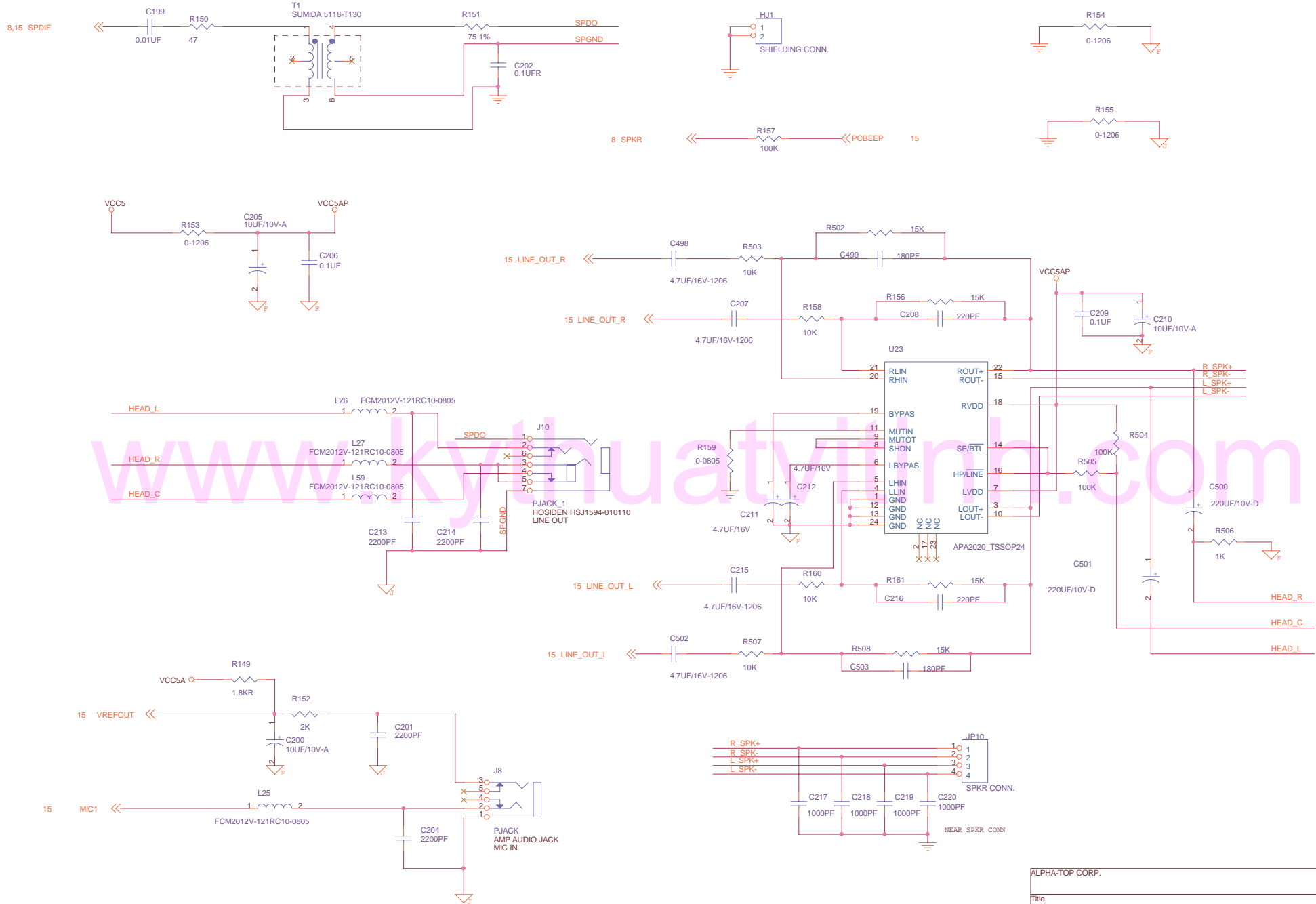
ALPHA-TOP CORP.		
Title CRT & S-VIDEO		
Size B	Document Number A901-1-4-01	Rev 5.0
Date: Tuesday, May 28, 2002	Sheet 13	of 29



CSEL : \*MC\* ; \*H1\* --> Master(CDR0M)/Slave(DVDROM)  
 CSEL : \*Low --> Slave(CDR0M)/Master(DVDROM)

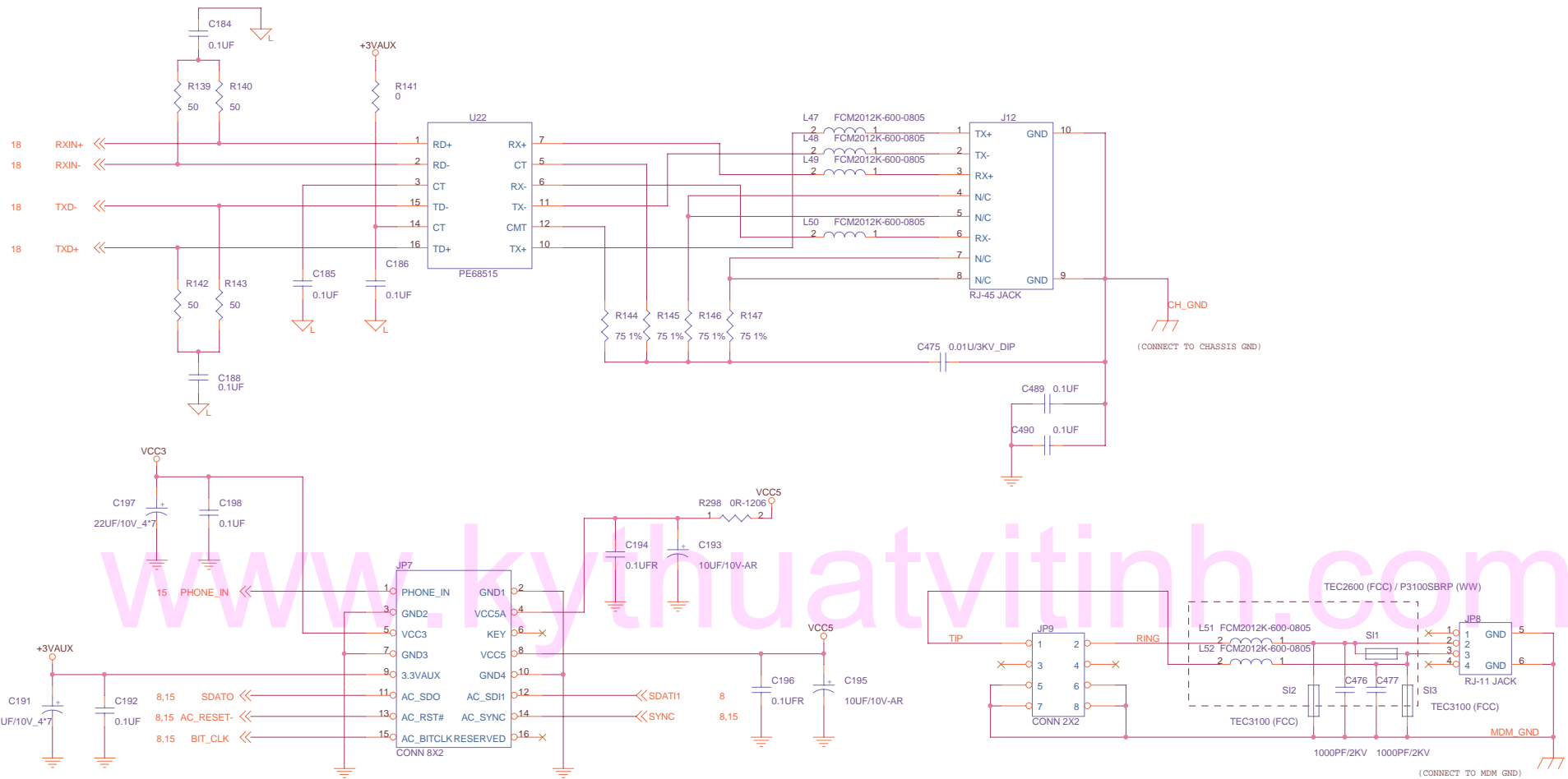
ALPHA-TOP CORP.			
Title HDD & CDROM CONN.			
Size B	Document Number A901-1-4-01	Rev 5.0	
Date: Tuesday, May 28, 2002	Sheet 14	of 29	





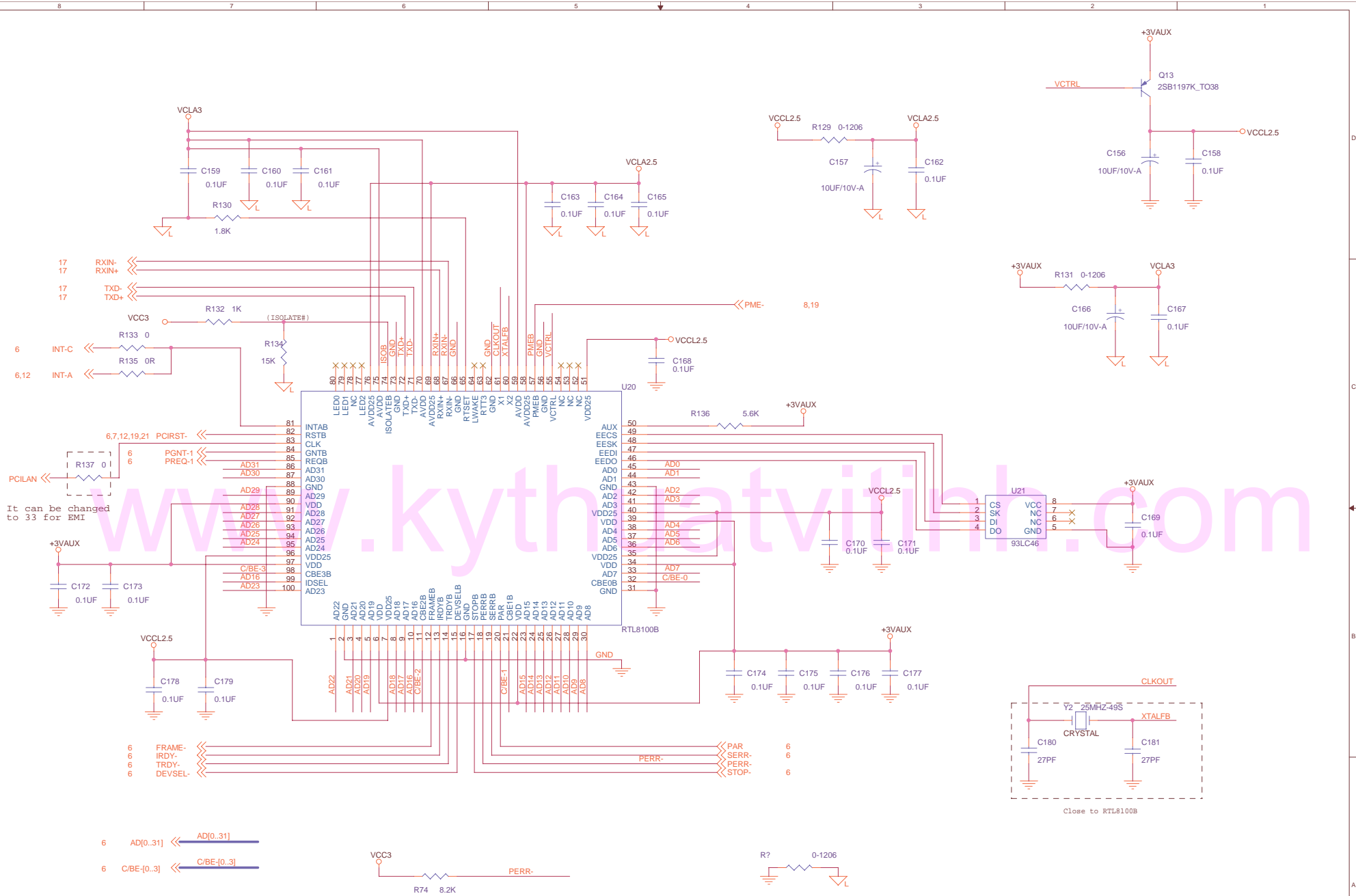
ALPHA-TOP CORP.		
Title OP AMPLIFIER		
Size B	Document Number A901-1-4-01	Rev 5.0
Date: Tuesday, May 28, 2002	Sheet 16	of 29





Europe/America use Sidactor(SI1)  
 Mainland China use Gas Tube(SI1,SI2,SI3)

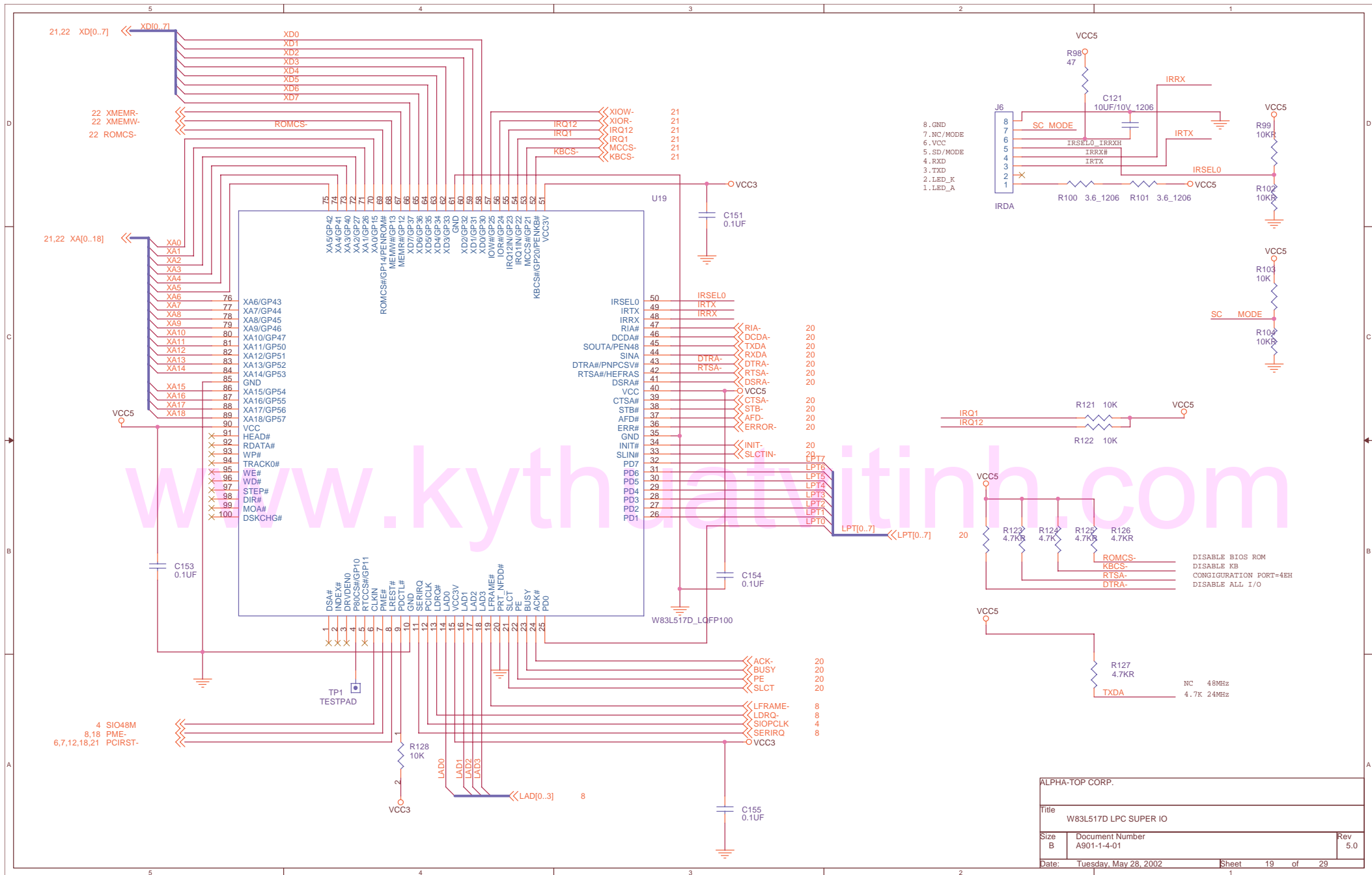
ALPHA-TOP CORP.		
Title RJ-11 / RJ-45 JACKS & MODEM CARD		
Size B	Document Number A901-1-4-01	Rev 5.0
Date: Tuesday, May 28, 2002	Sheet 17	of 29



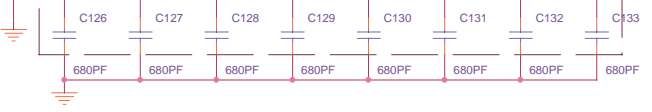
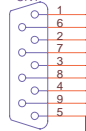
It can be changed to 33 for EMI

Close to RTL8100B

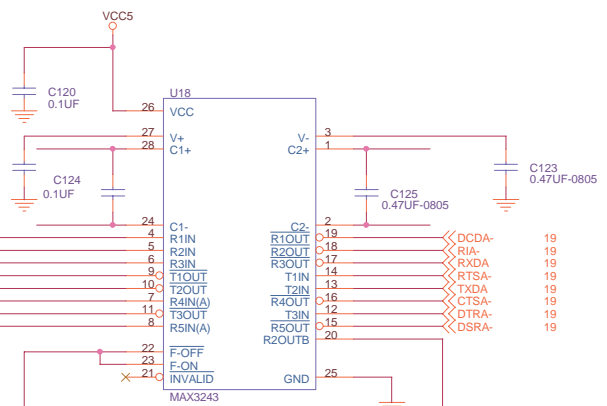
ALPHA-TOP CORP.		
Title REALTEK RTL8100B ETHERNET LAN		
Size B	Document Number A901-1-4-01	Rev 5.0
Date: Tuesday, May 28, 2002	Sheet 18	of 27



COMA CONN  
7534P-09G2  
CN1

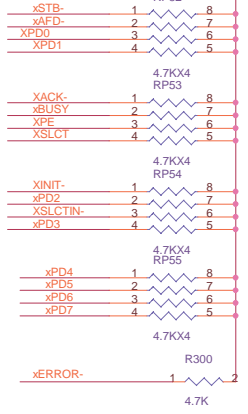
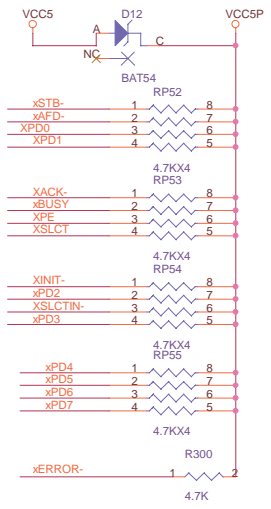
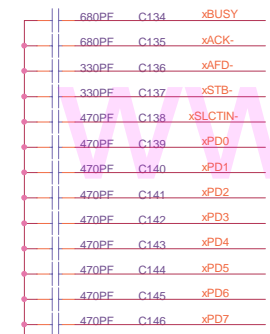


21.22 SUSPEND-

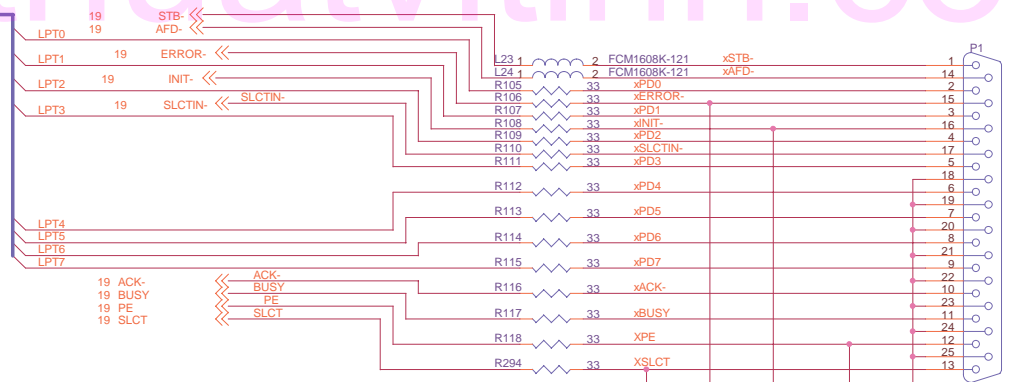


DCDA- 19  
RIA- 19  
RXDA- 19  
RTSA- 19  
TXDA- 19  
CTSA- 19  
DTRA- 19  
DSRA- 19

RING 8

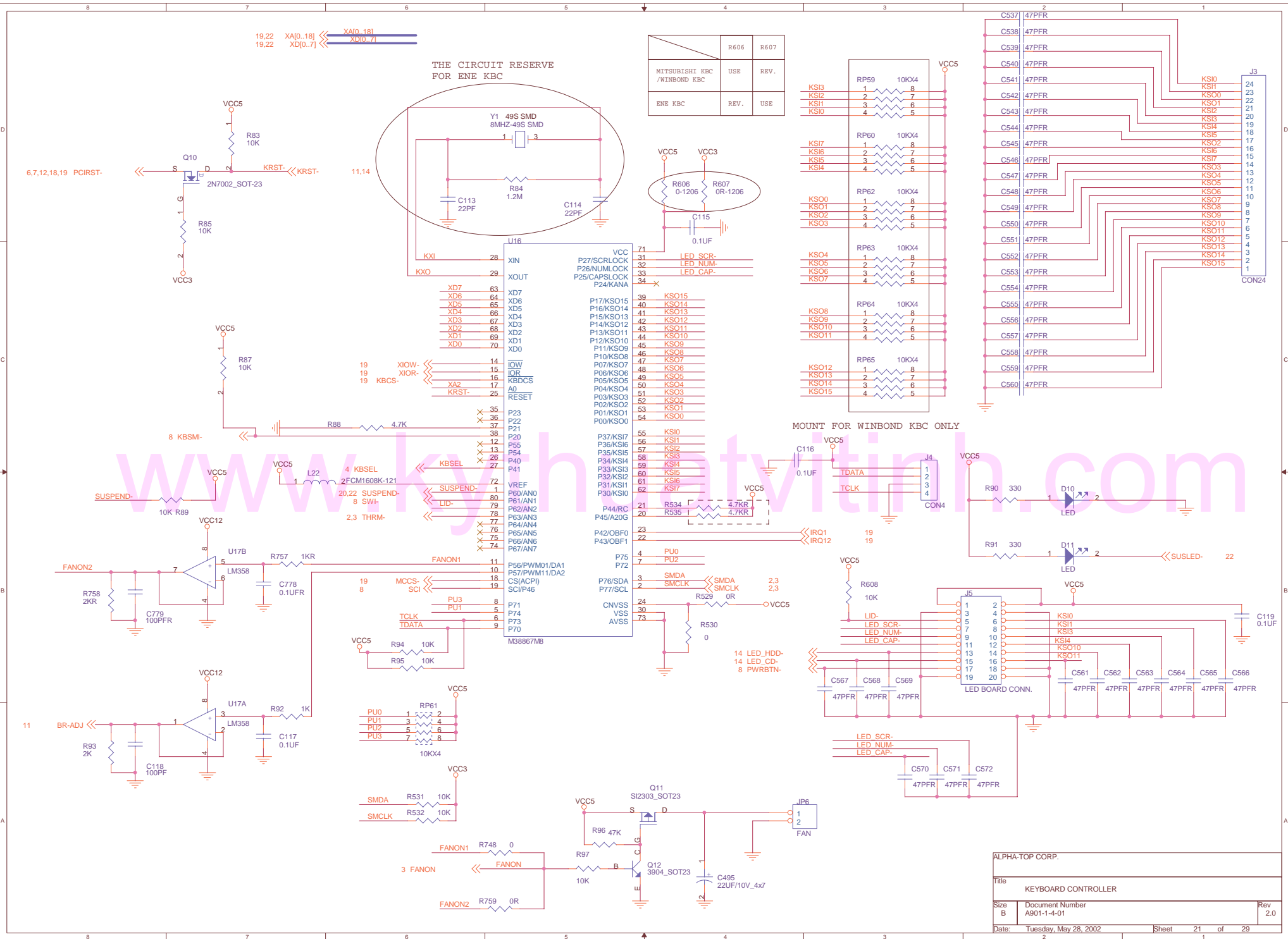


19 LPT0[0..7]

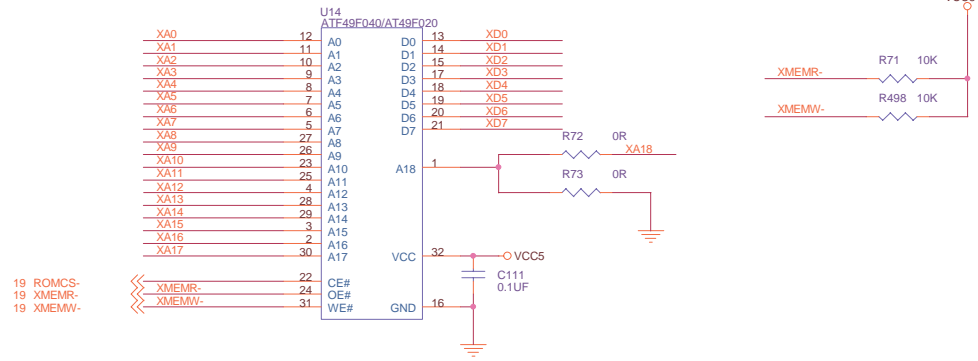


PRINTER 25 PIN CONN.

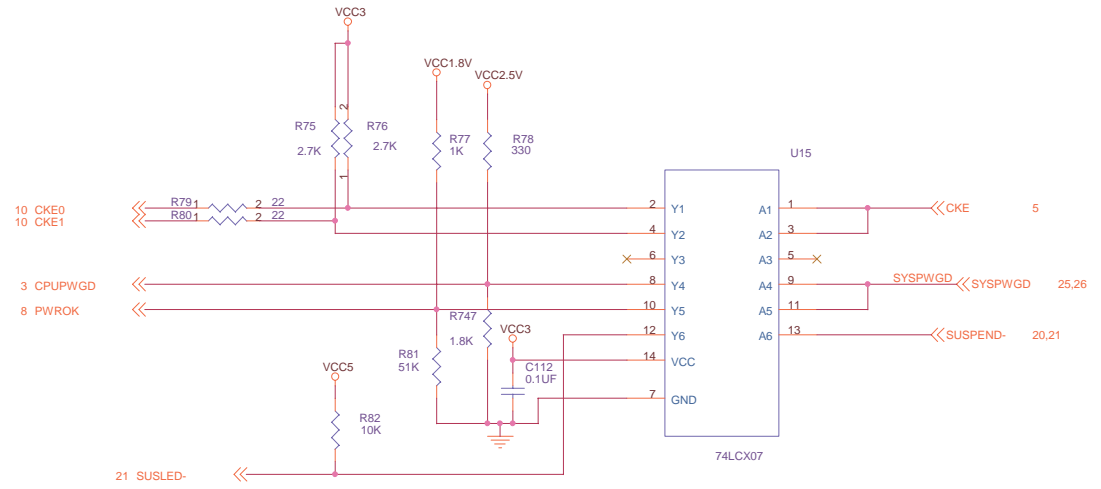
ALPHA-TOP CORP.		
Title COM AND LPT PORTS		
Size B	Document Number A901-1-4-01	Rev 5.0
Date: Tuesday, May 28, 2002	Sheet 20	of 29



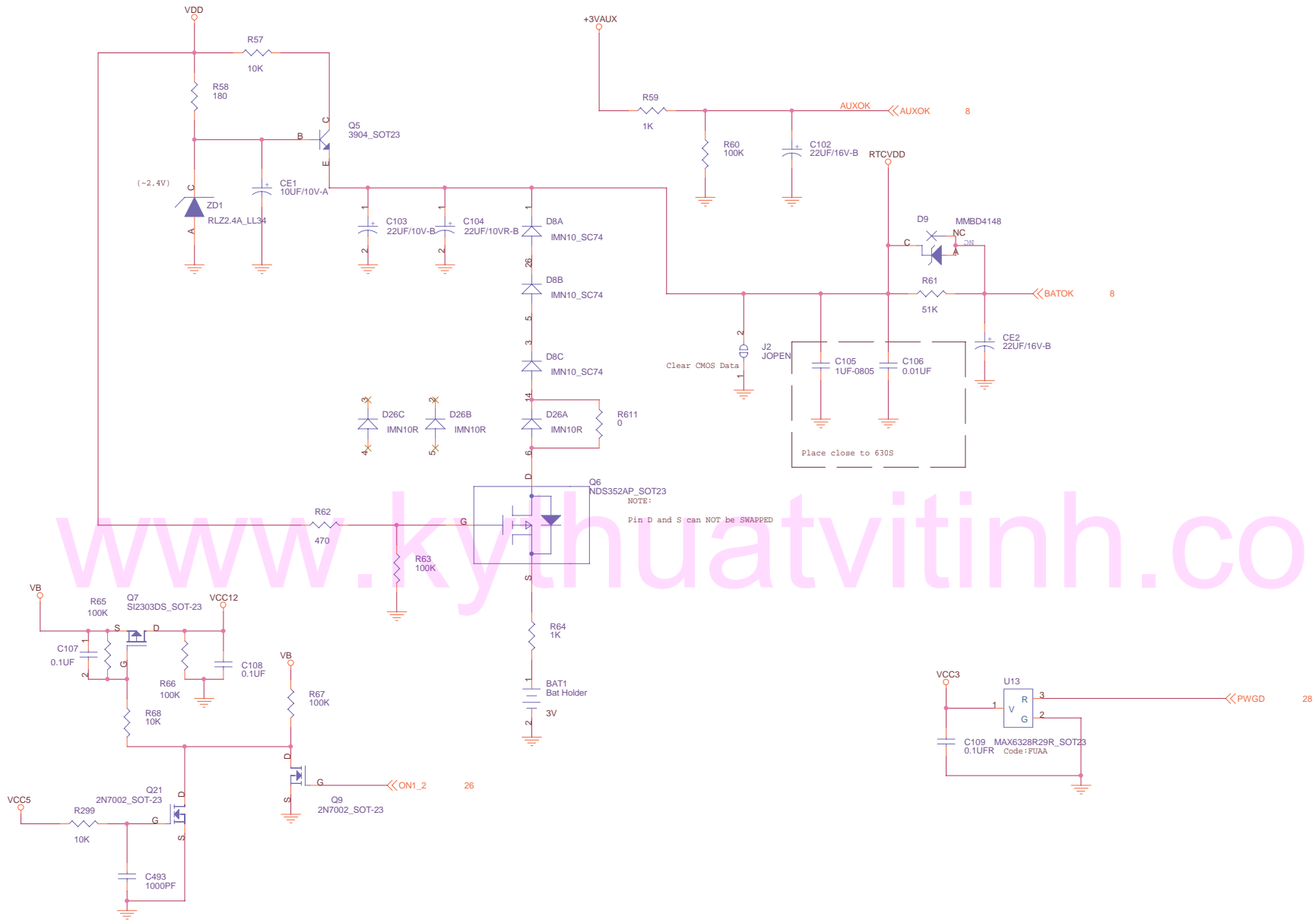
19.21 XA[0..18] << XA[0..18]  
 19.21 XD[0..7] << XD[0..7]



www.kythuatvithinh.com

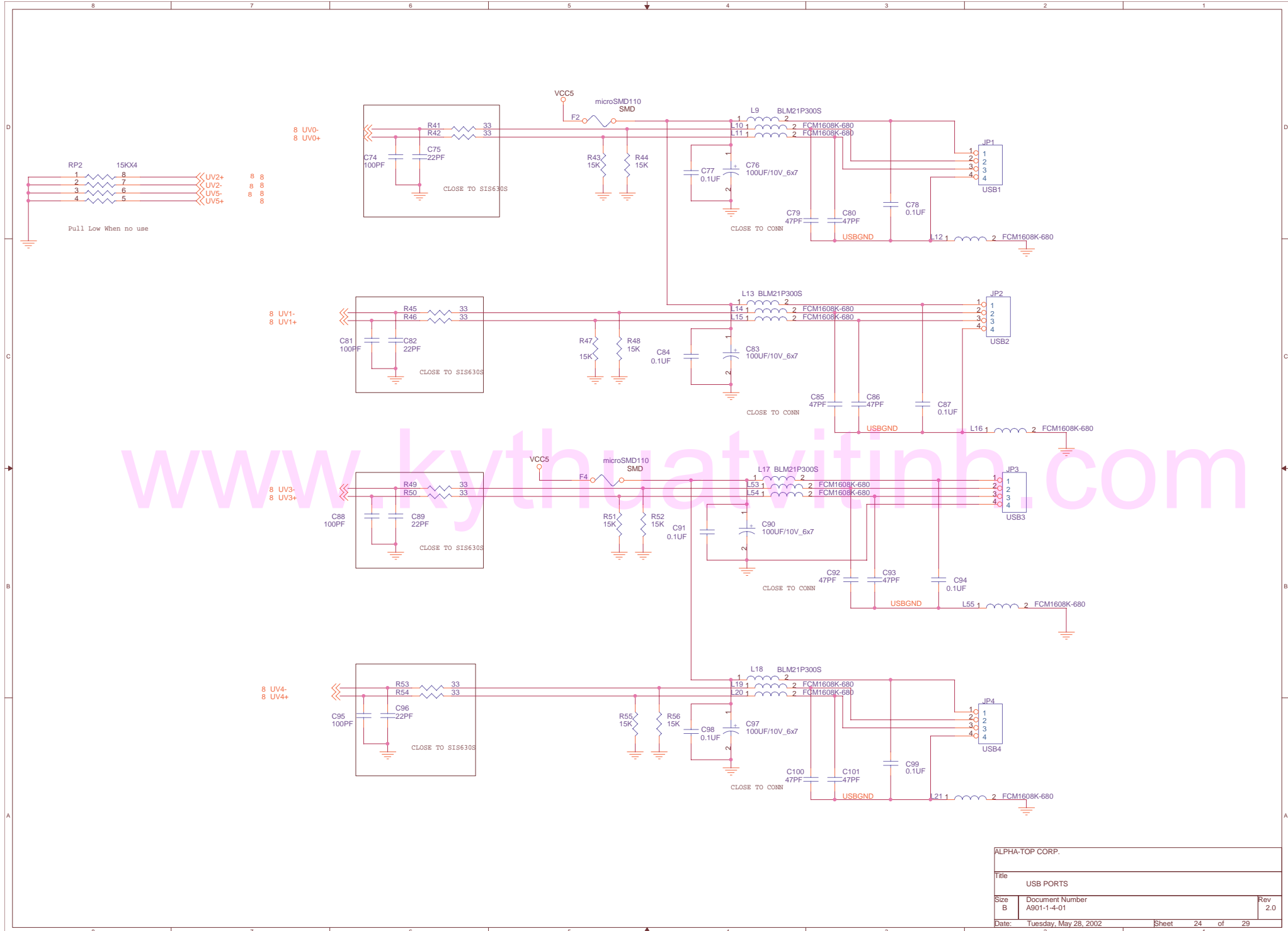


ALPHA-TOP CORP.		
Title ROM & POWER GOOD		
Size B	Document Number A901-1-4-01	Rev 2.0
Date: Tuesday, May 28, 2002	Sheet 22	of 29



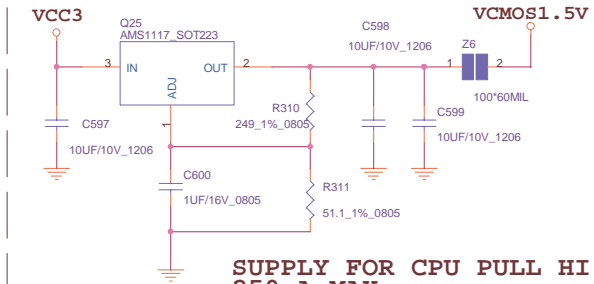
www.kyathuatvithinh.com

ALPHA-TOP CORP.		
Title RTC BATTERY & POWER SW		
Size B	Document Number A901-1-4-01	Rev 2.0
Date: Tuesday, May 28, 2002	Sheet 23	of 29

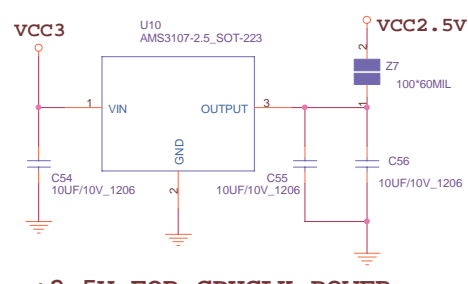


ALPHA-TOP CORP.		
Title USB PORTS		
Size B	Document Number A901-1-4-01	Rev 2.0
Date: Tuesday, May 28, 2002	Sheet 24	of 29

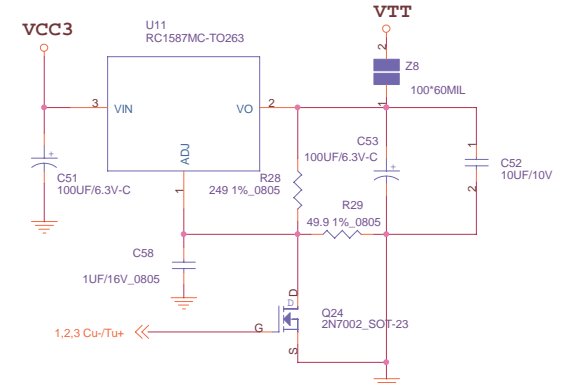




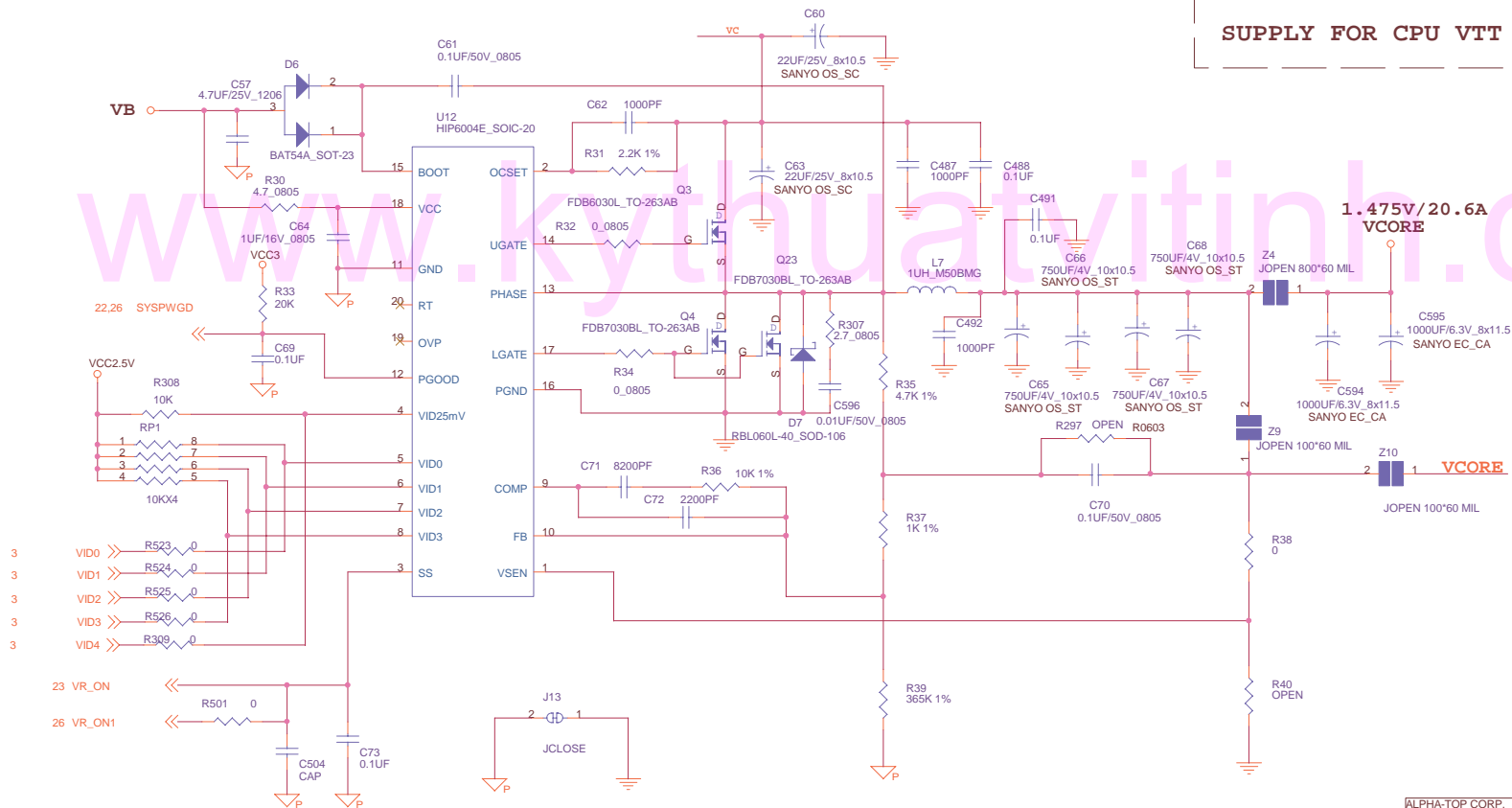
**SUPPLY FOR CPU PULL HI  
250mA MAX.**



**+2.5V FOR CPUCLK POWER  
150mA MAX.**

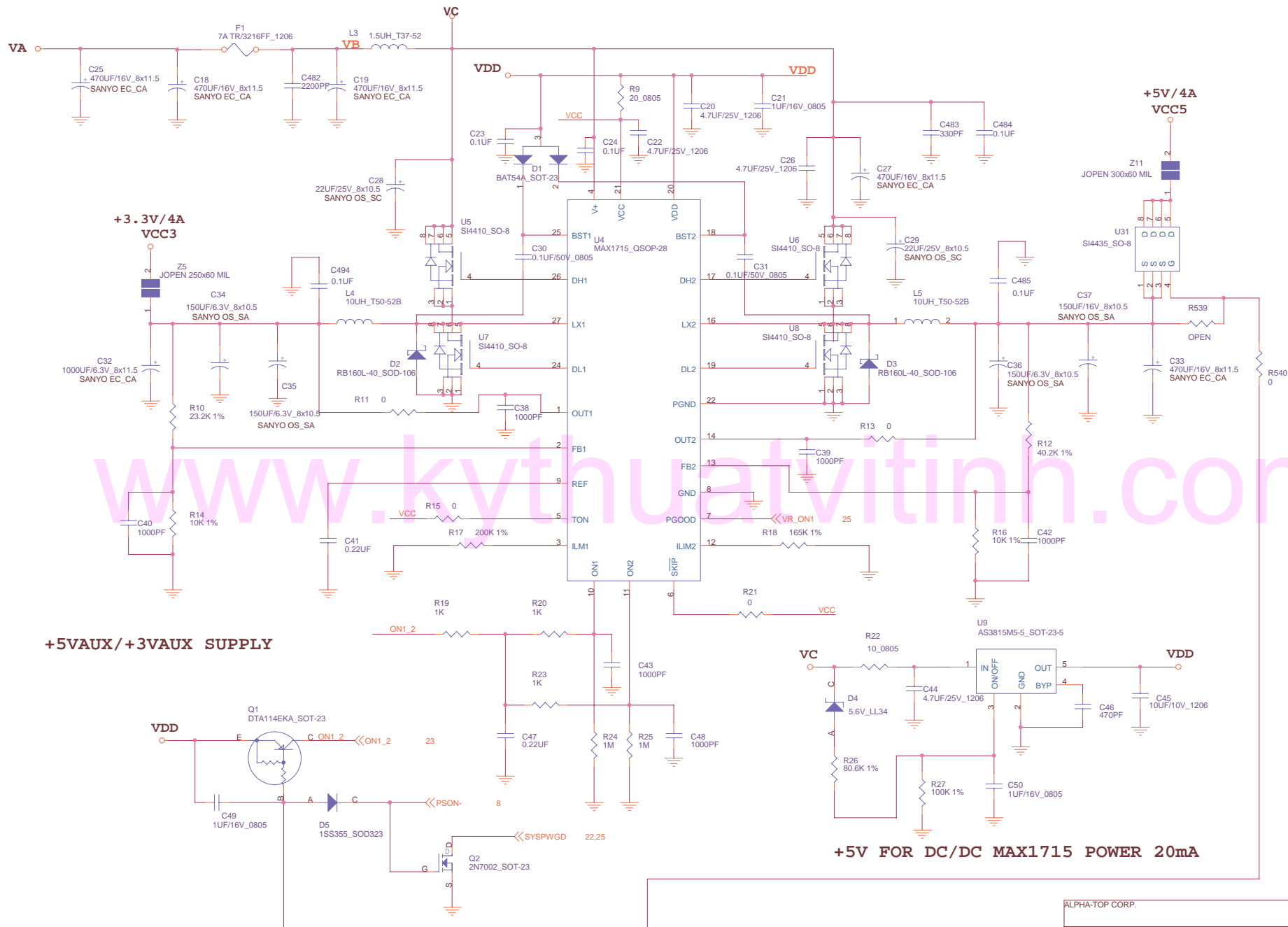


**SUPPLY FOR CPU VTT POWER 2.3A MAX.**



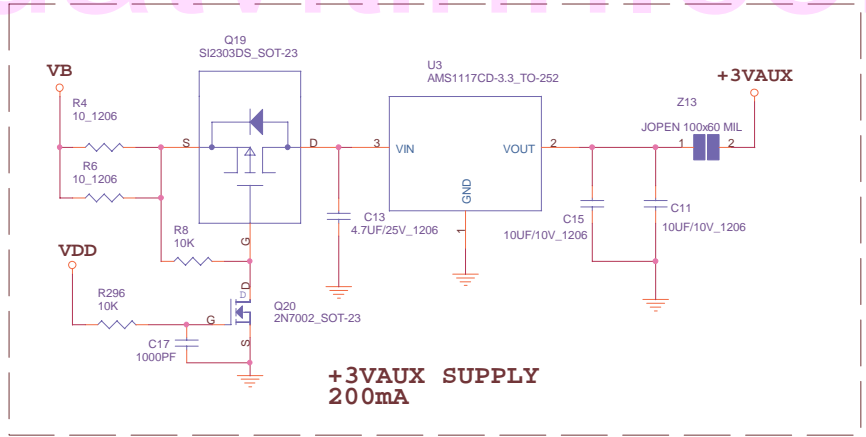
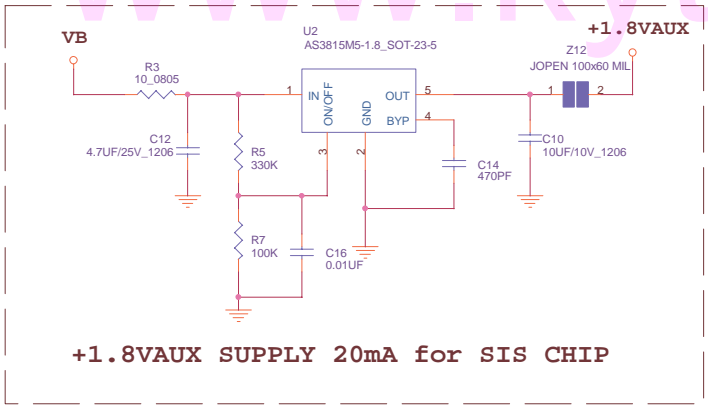
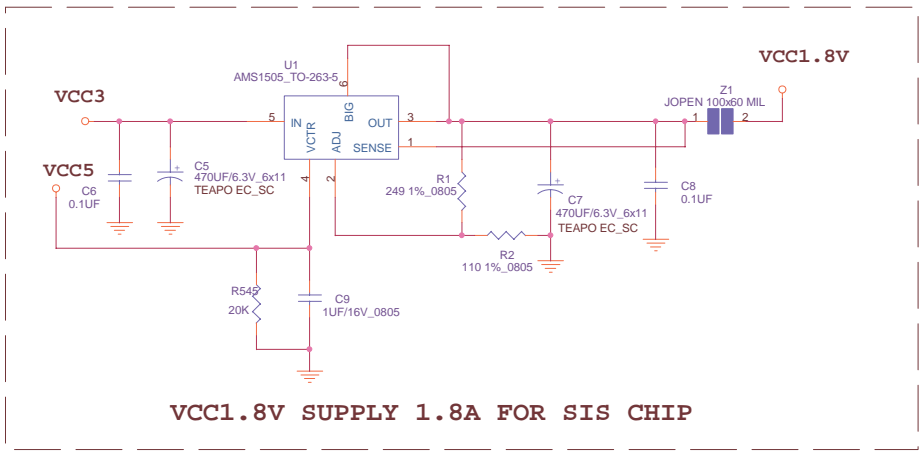
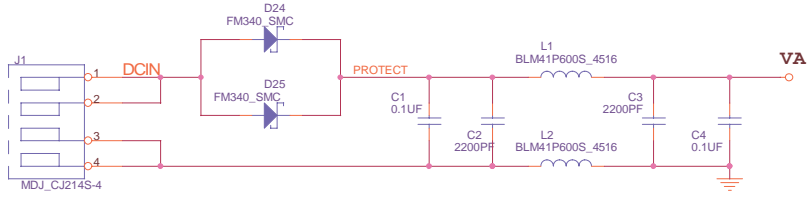
**1.475V/20.6A  
VCORE**

ALPHA-TOP CORP.		
Title CPU Vcore/VTTC2.5V		
Size B	Document Number A901-1-4-01	Rev 2.0
Date: Tuesday, May 28, 2002	Sheet 25	of 29



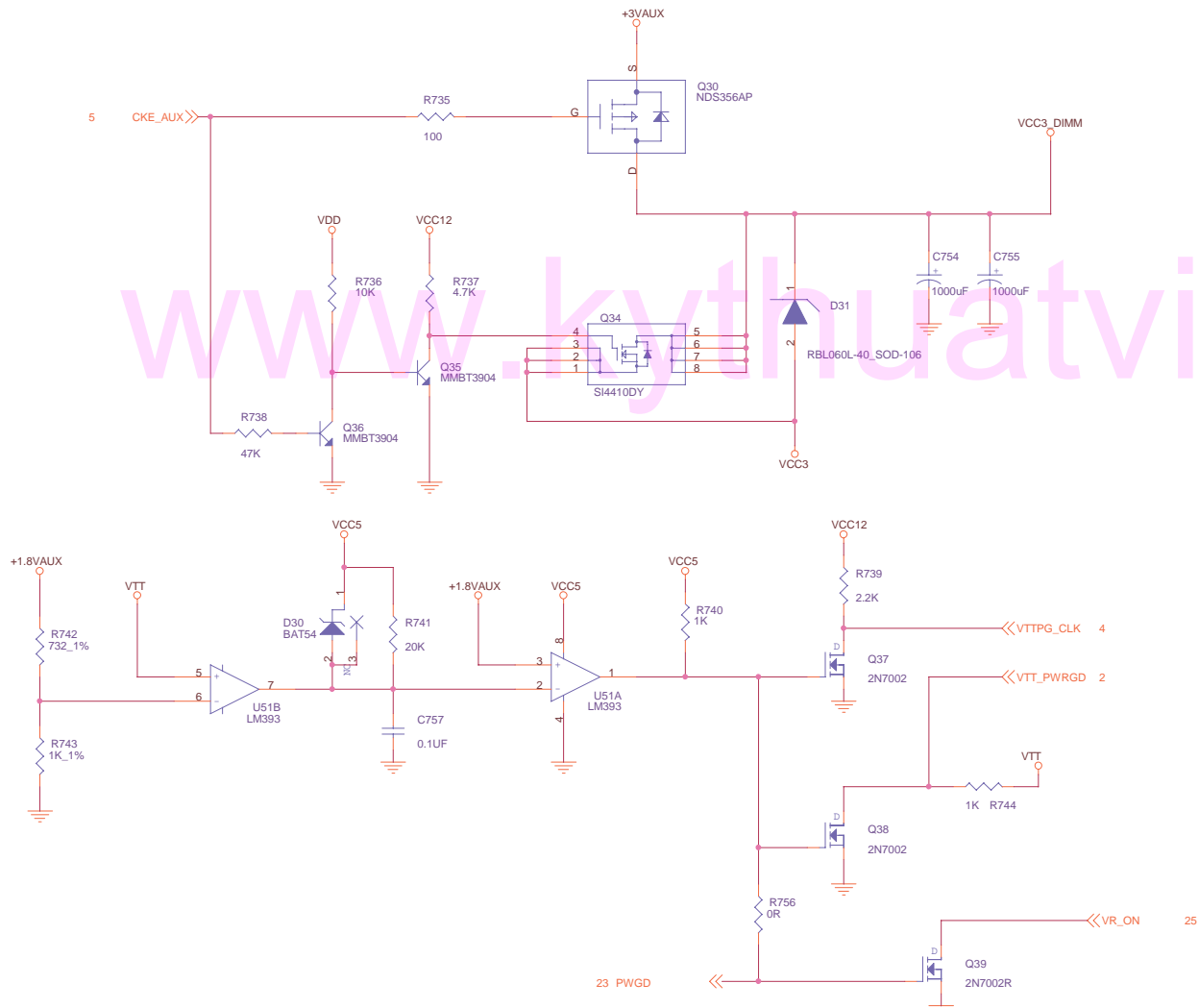
www.kvtuonline.com

ALPHA-TOP CORP.		
Title: VCC3/VCC5		
Size: B	Document Number: A901-1-4-01	Rev: 2.0
Date: Tuesday, May 28, 2002	Sheet: 26	of 29



www.kythuatv tinh.com

ALPHA-TOP CORP.		
Title VCC1.8V/AUX POWERS		
Size B	Document Number A901-1-4-01	Rev 2.0
Date: Tuesday, May 28, 2002	Sheet 27	of 29



www.kythatvithinh.com

ALPHA-TOP CORP.		
Title VCC3_DIMM & VTTPWGD		
Size B	Document Number A901-1-4-01	Rev 2.0
Date: Tuesday, May 28, 2002	Sheet 28	of 29

## REVISION HISTORY

V1.0	INITIAL RELEASE
V1.A	RISE THE OUTPUT CURRENT LIMIT
V1.B	CHANGE LAN CHIP AND IrDA MODULE FOR COST DOWN AND PART SHORTAGE
V2.0	UPDATE PCB REVISION FROM V1.0 TO V2.0

[www.kythuatvitinh.com](http://www.kythuatvitinh.com)

ALPHA-TOP CORP.		
Title		
REVISION HISTORY		
Size	Document Number	Rev
B	A901-1-4-01	2.0
Date:	Tuesday, May 28, 2002	Sheet 29 of 29